

1225-6

Teileliste
Parts List

Alle Rechte vorbehalten.

Eigentum der Dürkopp Adler AG und urheberrechtlich geschützt. Jede Wiederverwendung dieser Inhalte, auch in Form von Auszügen, ist ohne vorheriges schriftliches Einverständnis der Dürkopp Adler AG verboten.

All rights reserved.

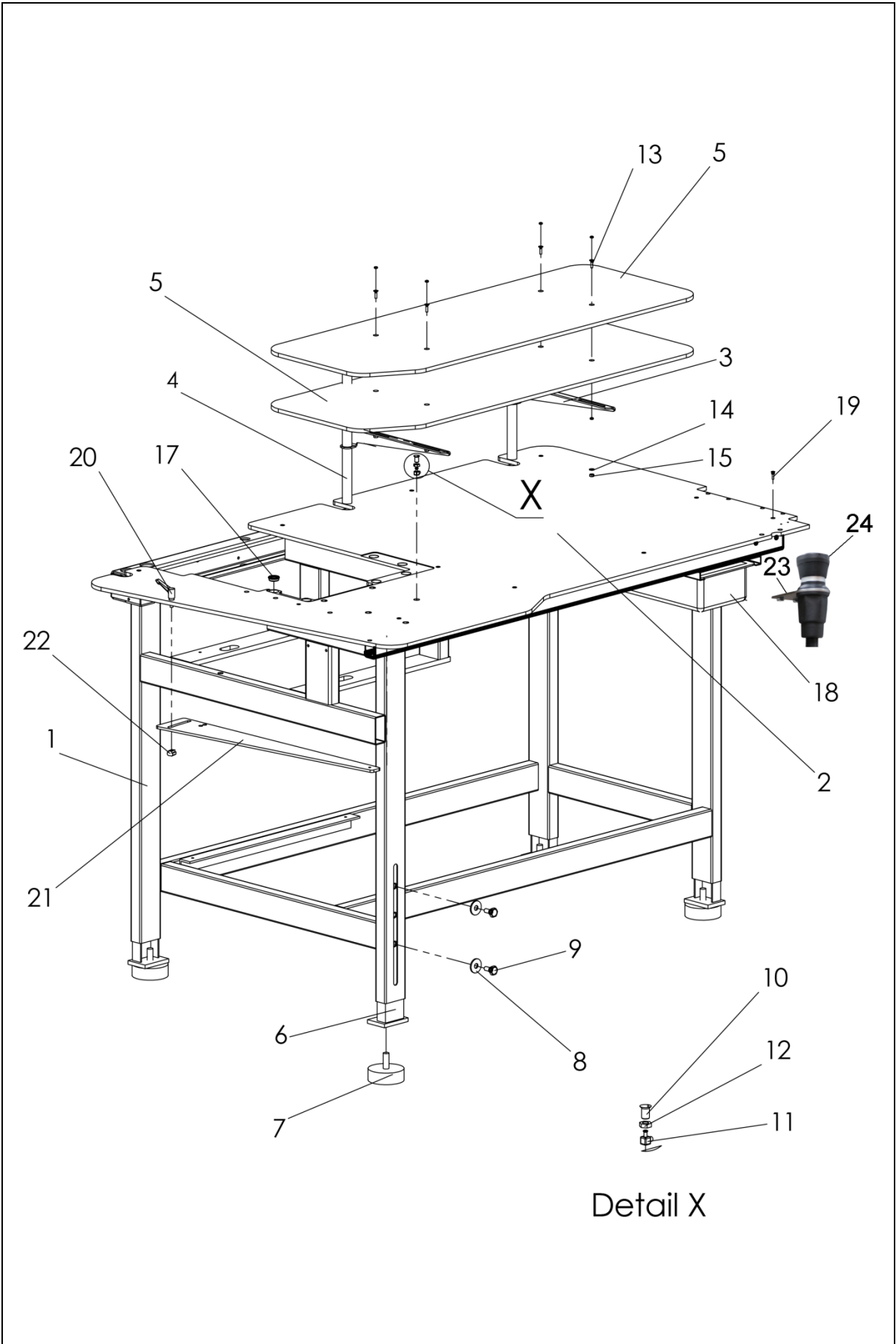
Property of Dürkopp Adler AG and protected by copyright. Any reuse of these contents, including extracts, is prohibited without the prior written approval of Dürkopp Adler AG.

Copyright © Dürkopp Adler AG 2018

Teileliste
 Parts List
 1225-6

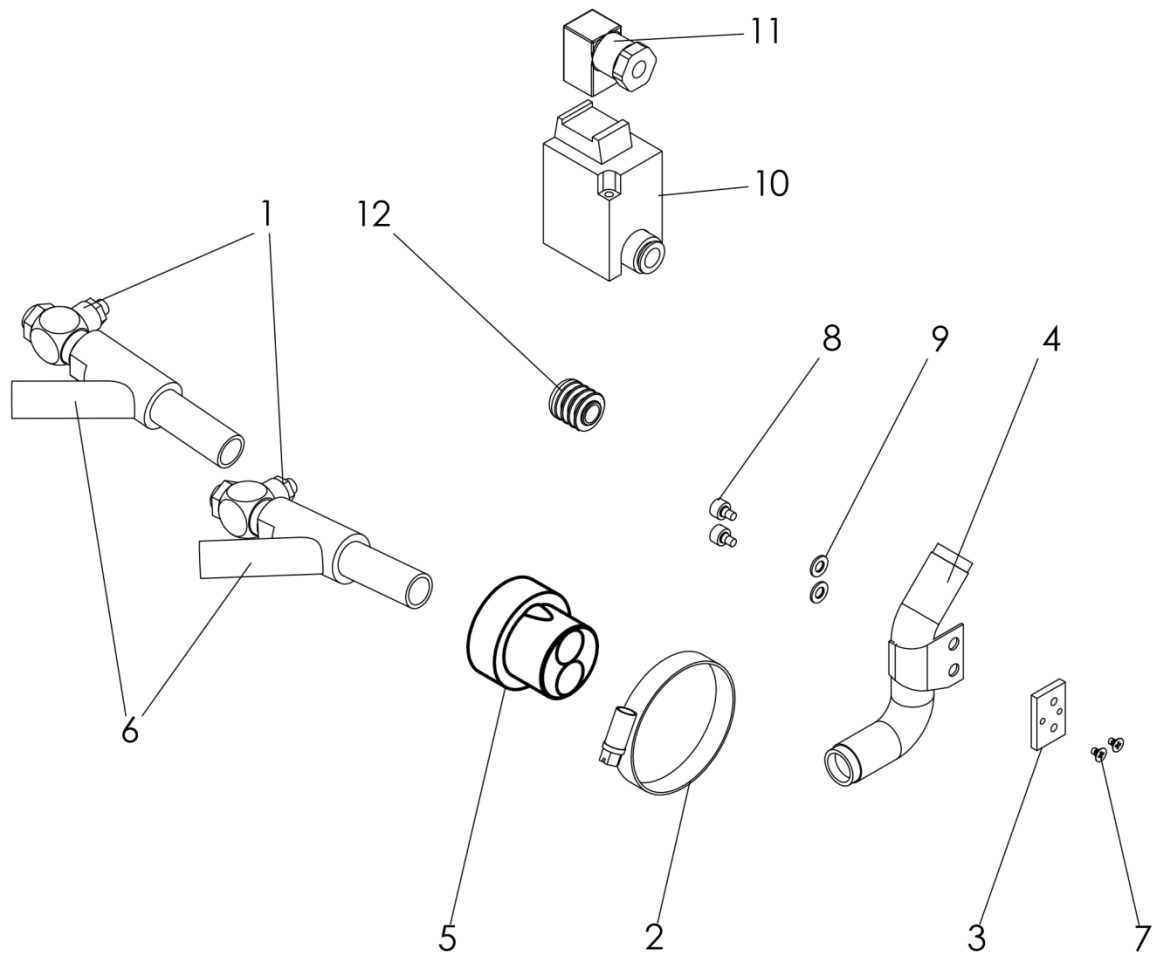
Inhaltsverzeichnis/Table of Contents

| Inhalt | Tafel/Table | Content |
|--|--------------------|---------------------------------------|
| Tischteile | 1 | Table parts |
| Schmutzabsaugung | 2 | Dirt suction |
| Oberteil EX 5204 | 3 | Sewing Head EX 5204 |
| Differentialverstellung | 4 | Differential regulation |
| Konturenführung | 5 | Contour guide |
| Staplerschwenker | 6 | Stacker swivel |
| Hauptschalter | 7 | Control box |
| Futterklammer | 8 | |
| Klebehefter | 9 - 11 | Glue crimper |
| Temperatur-Regelgerät | 12 | |
| Stapler | 13, 14 | Stacker |
| Direktantrieb | 15 | Direct drive |
| Steuerung | 16 | Control |
| Schaltkasten, Ventilverteilung | 17 | Control box, Valve distribution |
| Bedienfeld | 18 | Operating panel |
| Klappstapler/Folding stacker | | |
| Klappstapler | 1 | Folding stacker |
| Klappstapler | 2 | Folding stacker |
| Untergestell 201/6/1, 201/7/1 | 3 | Base frame 201/6/1, 201/7/1 |
| Staplerbefestigung 201/6/2, 201/7/2 | 4 | Stacker fastening 201/6/2, 201/7/2 |
| Staplerbefestigung 201/6/3, 201/7/3 | 5 | Stacker fastening 201/6/3, 201/7/3 |
| Option: Abweiser | 6 | Option: Deflector |
| Pneumatikplan | | Pneumatic diagram |

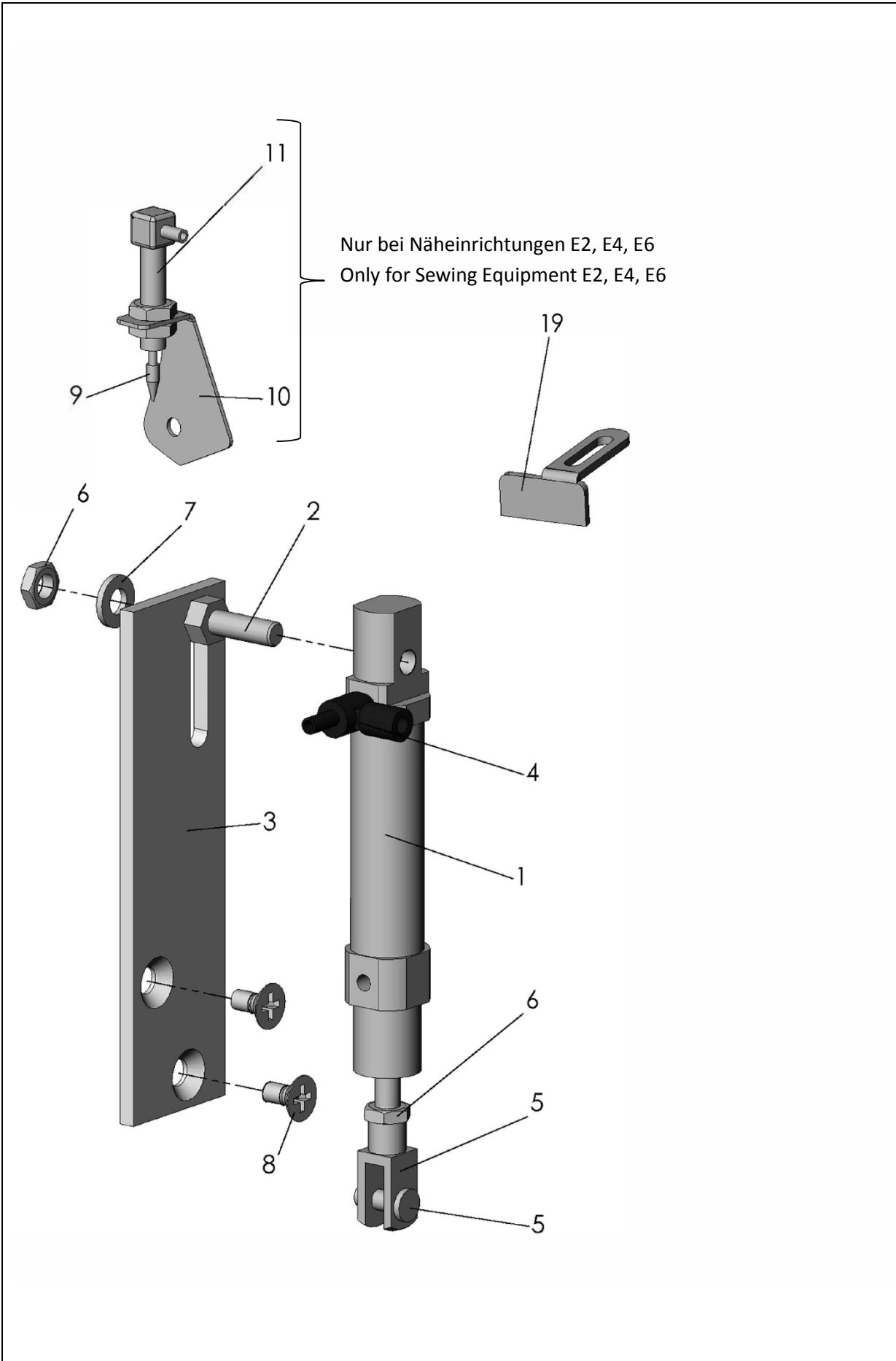


| | | |
|--------|-------------------|---------|
| 1225-6 | Tischteile 1225-6 | Tafel 1 |
|--------|-------------------|---------|

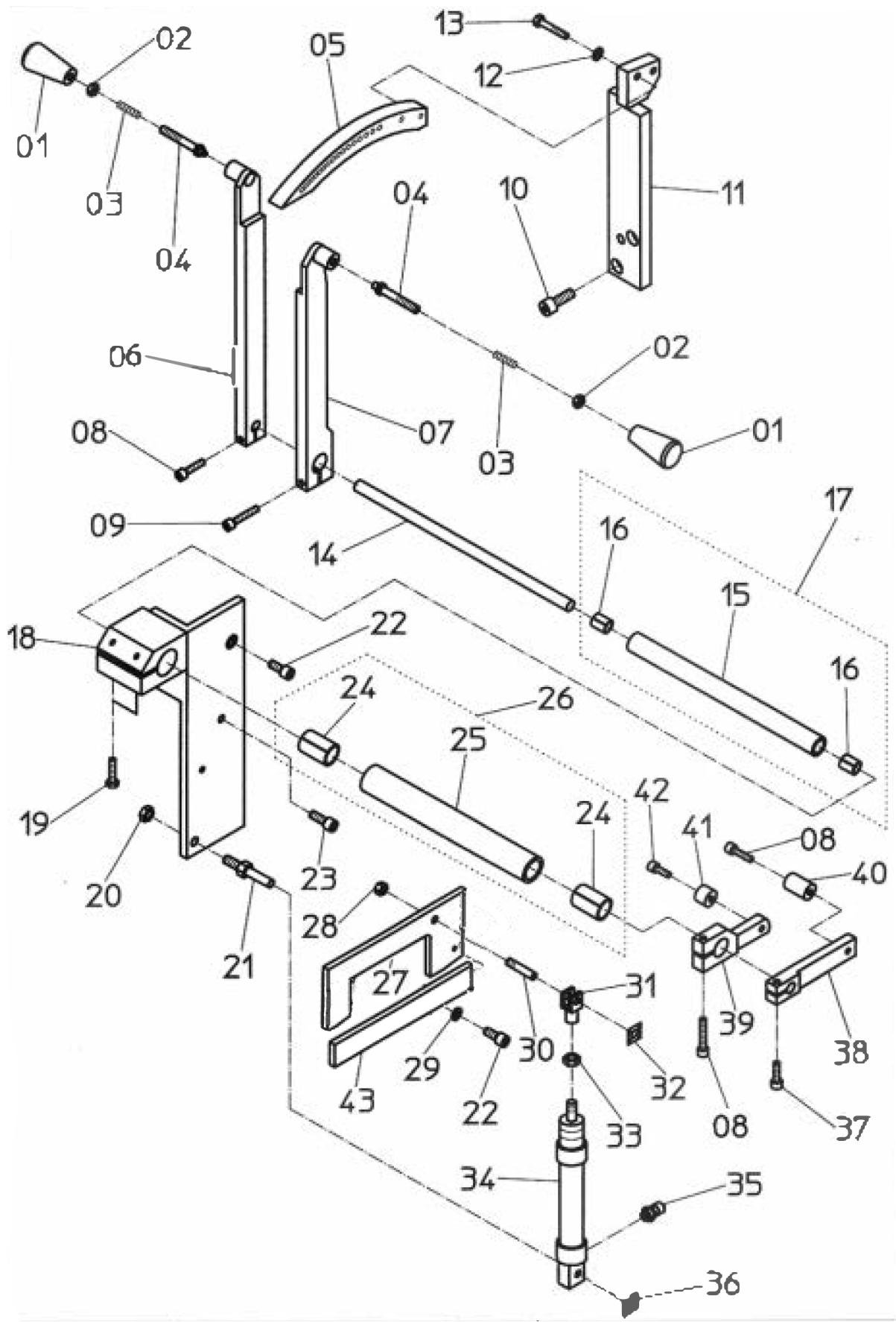
| Nr. No. | Artikel Nr. Article No. | Bezeichnung | Name | Stück Piece |
|------------|----------------------------|--------------------|------------------|----------------|
| 01 | 011305-00 | Tischgestell | Table frame | 1 |
| 02 | 0700 122501 | Tischplatte | Table plate | 1 |
| 03 | 011451-00 | Haltearm | Holding arm | 4 |
| 04 | 9652-00-1281 | Rohr | Tube | 2 |
| 05 | 011472-00 | Ablageplatte | Rack plate | 2 |
| 06 | 006586-00 | Stellfuß | Set foot | 4 |
| 07 | 1600455-00 | Gummipuffer | Rubber stopper | 4 |
| 08 | DIN 9021 10-5 | Scheibe | Washer | 8 |
| 09 | DIN 933 M10x20 | Schraube | Screw | 8 |
| 10 | 002379-00 | Luftdüse | Air jet | 5 |
| 11 | 1400341-00 | Verschraubung | Screw joint | 5 |
| 12 | 002381-00 | Mutter | Nut | 5 |
| 13 | DIN 965 A M5x16 | Schraube | Screw | 4 |
| 14 | DIN 125 A5,3 | Scheibe | Washer | 4 |
| 15 | DIN 934 M5 | Mutter | Nut | 4 |
| 16 | DIN 912 M5x10 | Schraube | Screw | 4 |
| 17 | 1900541-00 | Haftmagnet | Magnet | 6 |
| 18 | 2400818-00 | Schubkasten | Drawer | 1 |
| 19 | DIN 965 A M4x16 | Schraube | Screw | 11 |
| 20 | 1600453-00 | Klemmhebel | Clamp lever | 1 |
| 21 | 008436-00 | Schwert | Sword | 1 |
| 22 | 005580-00 | Nutenstein | Position stone | 1 |
| 23 | 1220 490010 | Befestigungswinkel | Mounting bracket | 2 |
| 24 | 9815 110200 | Pilzkopftaster | Button | 2 |
| 1225-6 | Tischteile 1225-6 | | | Tafel 1 |



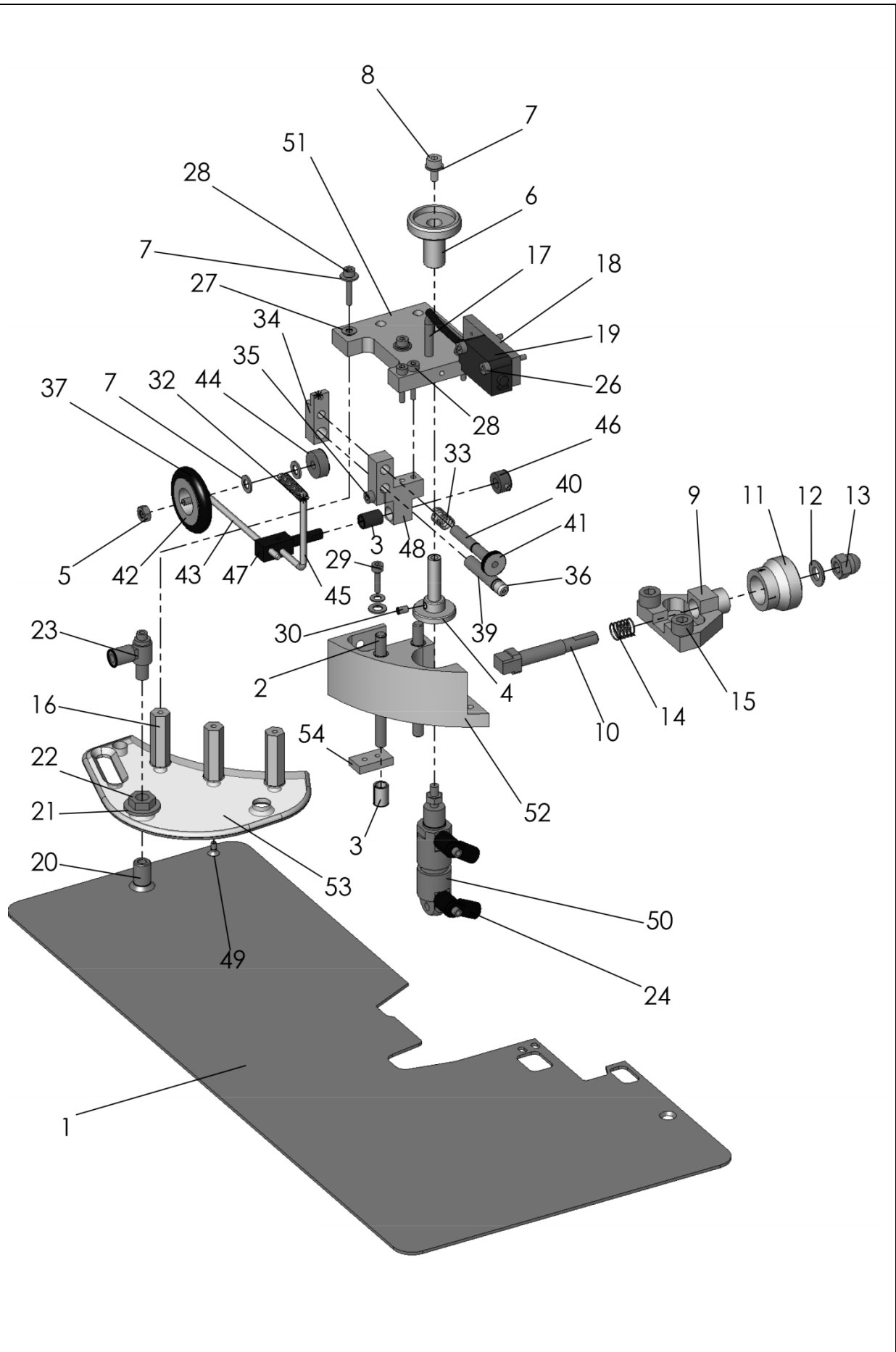
| Nr. No. | Artikel Nr. Article No. | Bezeichnung | Name | Stück Piece |
|------------|----------------------------|--------------------|------------------|----------------|
| 01 | 9710 920025 | Ventil | Valve | 2 |
| 02 | 1100252-00 | Schlauchklemme | Tube clamp | 1 |
| 03 | 2406-00-1320 | Absaug-Befestigung | Vacuum fastening | 1 |
| 04 | 2407-00-1320 | Absaugung | Suction | 1 |
| 05 | 008811-00 | Verteiler | Distributor | 1 |
| 06 | 3300231-00 | Luftdüse | Air jet | 2 |
| 07 | DIN 965 M3x4 | Schraube | Screw | 2 |
| 08 | DIN 912 M4x5 | Schraube | Screw | 2 |
| 09 | DIN 125 A4,3 | Scheibe | Washer | 2 |
| 10 | 1100161-30 | Ventil | Valve | 1 |
| 11 | 1100161-31 | Steckdose | Socket | 1 |
| 12 | 2500877-00 | Gleiter | Glider | 1 |
| 1225-6 | Schmutzabsaugung | | | Tafel 2 |



| Nr. No. | Artikel Nr. Article No. | Bezeichnung | Name | Stück Piece |
|------------|----------------------------|-----------------|-----------------|----------------|
| 01 | 1000172-00 | Zylinder | Cylinder | 1 |
| 02 | 4404-00-1330 | Stehbolzen | Stay bolt | 1 |
| 03 | 004397-00 | Zylinder Halter | Cylinder holder | 1 |
| 04 | 007418-00 | Drossel | Throttle valve | 1 |
| 05 | 1000099-00 | Gabelkopf | Swivel head | 1 |
| 06 | DIN 439 M6 | Mutter | Nut | 2 |
| 07 | DIN 125 A6,4 | Scheibe | Washer | 1 |
| 08 | DIN 965 M6x10 | Schraube | Screw | 2 |
| 09 | 009923-00 | Stift | Tack | 1 |
| 10 | 1220 110010 | Winkel | Bracket | 1 |
| 11 | 9700 130005 | Zylinder | Cylinder | 1 |
| 19 | 11043-00 | Führung EX | Guide EX | 1 |
| 1225-6 | Oberteil EX 5204 | | | Tafel 3 |



| Nr. No. | Artikel Nr. Article No. | Bezeichnung | Name | Stück Piece |
|---------|-------------------------|----------------|---------------|-------------|
| 01 | 1600477 | Kopf | Head | 2 |
| 02 | DIN439 M5 | Mutter | Nut | 2 |
| 03 | 1700462 | Feder | Spring | 2 |
| 04 | 2571-00 | Welle | Shaft | 2 |
| 05 | 2567-00 | Leiste | Lug | 1 |
| 06 | 4399-00 | Hebel | Lever | 1 |
| 07 | 4400-00 | Hebel | Lever | 1 |
| 08 | DIN912 M4x15 | Schraube | Screw | 2 |
| 09 | DIN912 M4x20 | Schraube | Screw | 2 |
| 10 | DIN912 M6x15 | Schraube | Screw | 2 |
| 11 | 1220 360080 | Halter | Holder | 1 |
| 12 | DIN125 AØ4,3 | Scheibe | Washer | 2 |
| 13 | DIN933 M4x20 | Schraube | Screw | 2 |
| 14 | 1220 360030 | Welle | Shaft | 1 |
| 15 | 1220 360050 | Rohr | Pipe | 1 |
| 16 | 1500429 | Büchse | Sleeve | 2 |
| 17 | 91 2560-00 | Rohr komplett | Pipe complete | 1 |
| 18 | 1220 360113 | Halter | Holder | 1 |
| 19 | DIN933 M4x15 | Schraube | Screw | 2 |
| 20 | DIN934 M6 | Mutter | Nut | 1 |
| 21 | 4404-00 | Stehbolzen | Stay bolt | 1 |
| 22 | DIN912 M5x10 | Schraube | Screw | 2 |
| 23 | DIN912 M5x12 | Schraube | Screw | 1 |
| 24 | 150D431 | Buchse | Sleeve | 2 |
| 25 | 1220 360040 | Rohr | Pipe | 1 |
| 26 | 91.2559-00 | Rohr komplett | Pipe complete | 1 |
| 27 | 1220 360060 | Hebel | Lever | 1 |
| 28 | DIN934 M5 | Mutter | Nut | 1 |
| 29 | DIN125 AØ,3 | Scheibe | Washer | 1 |
| 30 | 9202 062090 | Schraube | Screw | 1 |
| 31 | 1000099 | Befestigung | Fastening | 1 |
| 32 | SX05 | Sicherungsring | Circlip | 1 |
| 33 | DIN439 M6 | Mutter | Nut | 1 |
| 34 | 1000163 | Zylinder | Cylinder | 1 |
| 35 | 1400356 | Verschraubung | Screw joint | 1 |
| 36 | SX06 | Sicherungsring | Circlip | 1 |
| 37 | DIN912 M4x12 | Schraube | Screw | 1 |
| 38 | 1220 360010 | Hebel | Lever | 1 |
| 39 | 1220 360020 | Hebel | Lever | 1 |
| 40 | 2564-00 | Rolle | Sheave | 1 |
| 41 | 2565-00 | Rolle | Sheave | 1 |
| 42 | DIN912 M4x10 | Schraube | Screw | 1 |
| 43 | 1220 360070 | Leiste | Lug | 1 |
| 1225-6 | Diff-Verstellung | | | Tafel 4 |



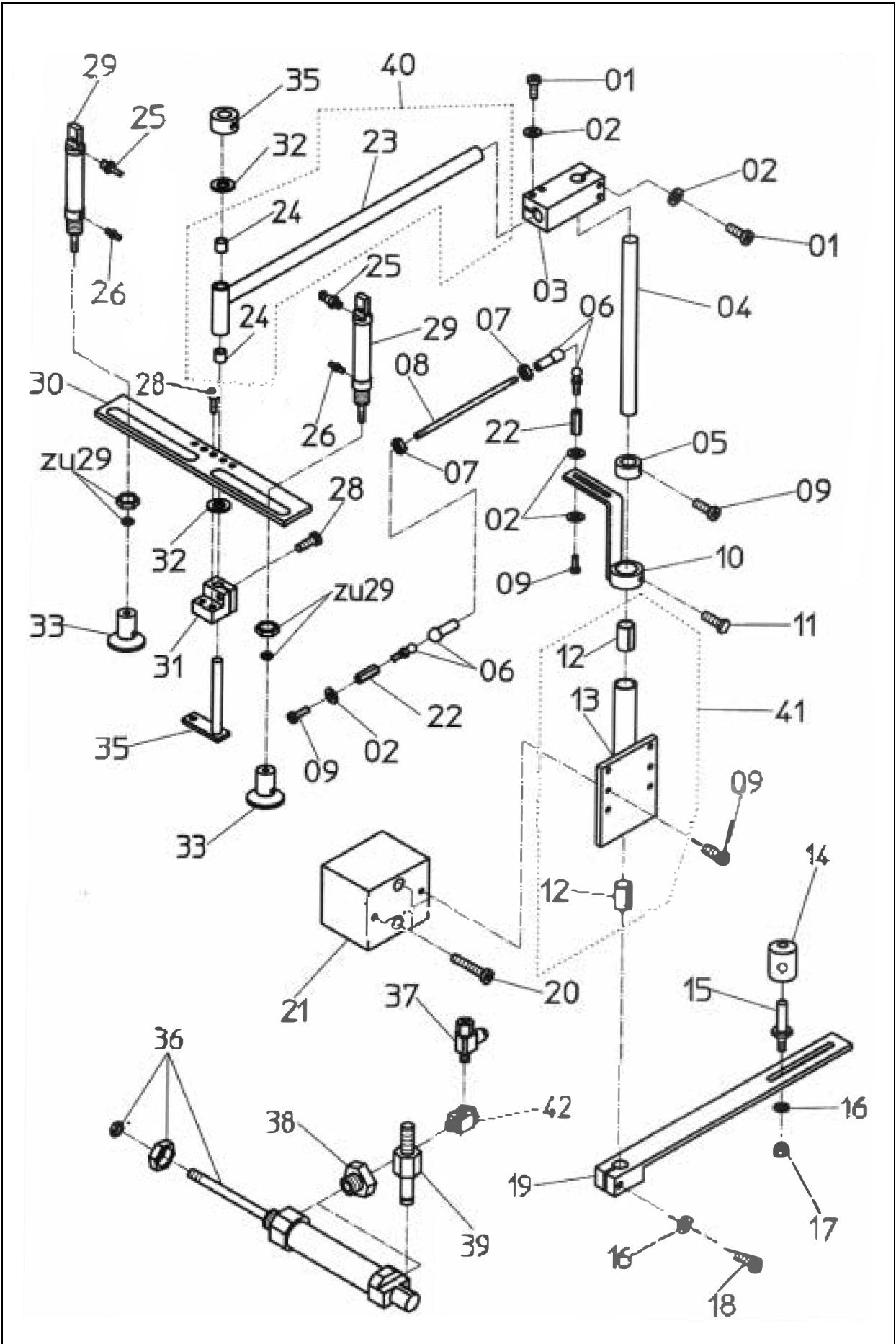
1225-6

Konturenführung

Tafel 5

| Nr. No. | Artikel Nr. Article No. | Bezeichnung | Name | Stück Piece |
|---------|-------------------------|-------------------|----------------------------|-------------|
| 01 | 1220 410060 | Einlegeplatte EX | Inlay plate EX | 1 |
| 02 | 002390-00 | Welle | Shaft | 2 |
| 03 | 1500426-00 | DU-Buchse | DU-bushing | 5 |
| 04 | 002372-00 | Einschiebebolzen | Bolt | 1 |
| 05 | DIN 934 M4 | Mutter | Nut | 2 |
| 06 | 002370-00 | Einstellschraube | Adjusting Screw | 1 |
| 07 | DIN 125 A4,3 | Schaube | Washer | 8 |
| 08 | DIN 912 M4x8 | Zylinderschraube | Cylinder Screw | 1 |
| 09 | 002398-00 | Höhen-Anschlag | Vertical clearance | 1 |
| 10 | 002388-00 | Anschlag Welle | Stop unit shaft | 1 |
| 11 | 002397-00 | Stellschraube | Adjusting screw | 1 |
| 12 | DIN 125 B6,4 | Scheibe | Washer | 1 |
| 13 | DIN 1587 M6 | Hutmutter | Cap nut | 1 |
| 14 | 1700476-00 | Druckfeder | Pressure spring | 1 |
| 15 | DIN 912 M6x8 | Zylinderschraube | Cylinder Screw | 2 |
| 16 | 009305-00 | Distanzbolzen | Spacer bolt | 3 |
| 17 | 008398-00 | Halter | Holder | 1 |
| 18 | 009804-00 | Fotozellenhalter | Photocell holder | 1 |
| 19 | 9815 920045 | Fotozelle | Photocell | 1 |
| 20 | 002379-00 | Luftdüse | Air jet | 1 |
| 21 | DIN 125 A8,4 | Scheibe | Washer | 1 |
| 22 | 002381-00 | Mutter | Nut | 1 |
| 23 | 7418-00 | Drossel | Throttle valve | 1 |
| 24 | 006927-00 | Abluftdrossel | Exhaust air throttle valve | 2 |
| 25 | DIN 912 M3x8 | Zylinderschraube | Cylinder Screw | 1 |
| 26 | DIN 912 M3x20 | Zylinderschraube | Cylinder Screw | 2 |
| 27 | DIN 125 A3,2 | Scheibe | Washer | 5 |
| 28 | DIN 912 M3x16 | Zylinderschraube | Cylinder Screw | 5 |
| 29 | DIN 912 M3x12 | Zylinderschraube | Cylinder Screw | 2 |
| 30 | DIN 913 M4x5 | Gewindestift | Set screw | 3 |
| 31 | DIN 913 M3x5 | Gewindestift | Set screw | 1 |
| 32 | 1700449-00 | Zugfeder | Spring | 1 |
| 33 | 1700462-00 | Druckfeder | Pressure spring | 1 |
| 34 | 1220 510030 | Halter | Holder | 1 |
| 35 | DIN 912 M3x10 | Zylinderschraube | Cylinder Screw | 1 |
| 36 | 002387-00 | Druckstück | Thrust piece | 1 |
| 37 | 110129-00 | O-Ring | O-ring | 1 |
| 38 | DIN 6799 3,2 | Sicherungsscheibe | Lock washer | 1 |
| 39 | 9700 130005 | Zylinder | Cylinder | 1 |
| 40 | 1220 510040 | Stehbolzen | Stay bolt | 1 |
| 41 | 0746 040139 | Rändelmutter | Milled nut | 1 |
| 42 | 002382-00 | Rolle | Roll | 1 |
| 43 | 002383-00 | Rollenhalter | Roll holder | 1 |
| 1225-6 | Konturenführung | | | Tafel 5 |

| Nr. No. | Artikel Nr. Article No. | Bezeichnung | Name | Stück Piece |
|------------|----------------------------|----------------|----------------|----------------|
| 44 | 1500373-00 | Kugellager | Ball bearing | 1 |
| 45 | 002386-00 | Rollenhebel | Roller lever | 1 |
| 46 | 1600463-00 | Stelling | Set collar | 1 |
| 47 | 010630-00 | Klemmwelle | Clamping shaft | 1 |
| 48 | 1220 510020 | Rollenhalter | Roll holder | 1 |
| 49 | DIN 965 A M3x6 | Schraube | Screw | 2 |
| 50 | 9700 231026 | Zylinder | Cylinder | 1 |
| 51 | 002472-00 | Führungsbügel | Guide bow | 1 |
| 52 | 1220 510010 | Führung | Guide | 1 |
| 53 | 011000-00 | Führungsplatte | Guide plate | 1 |
| 54 | 010969-00 | Platte | Plate | 1 |
| 1225-6 | Konturenführung | | | Tafel 5 |

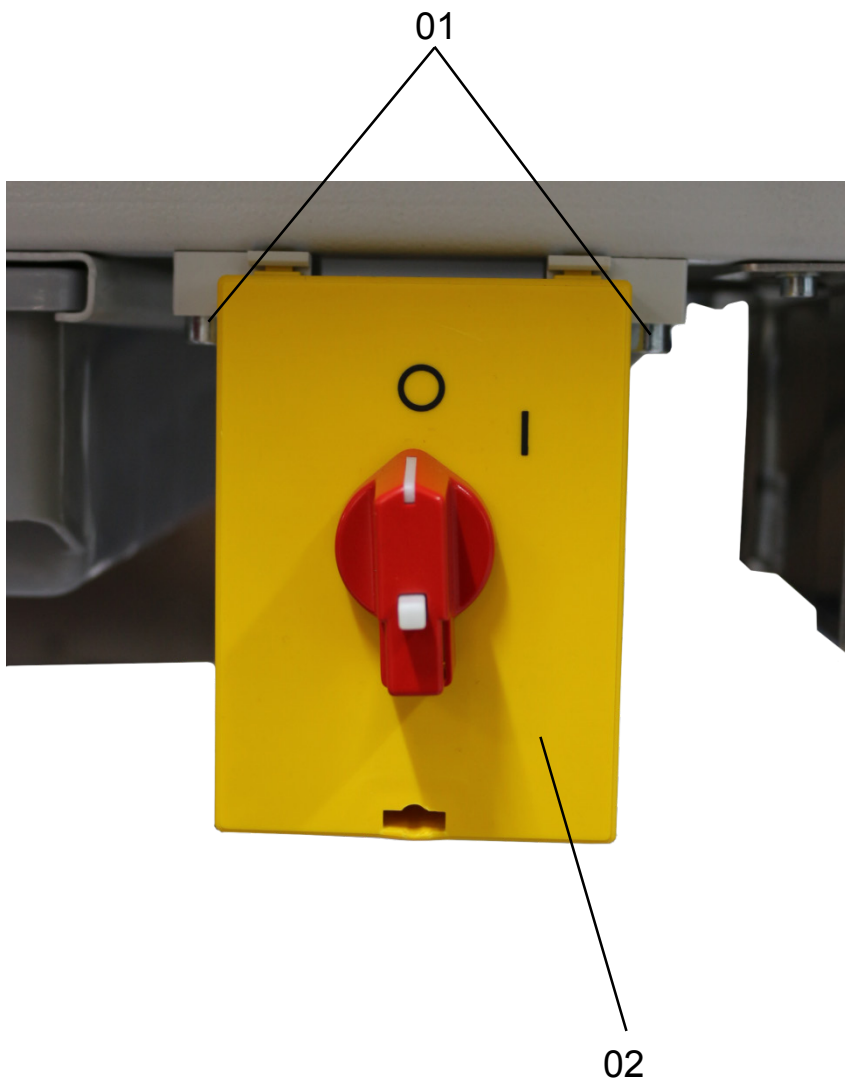


1225-6

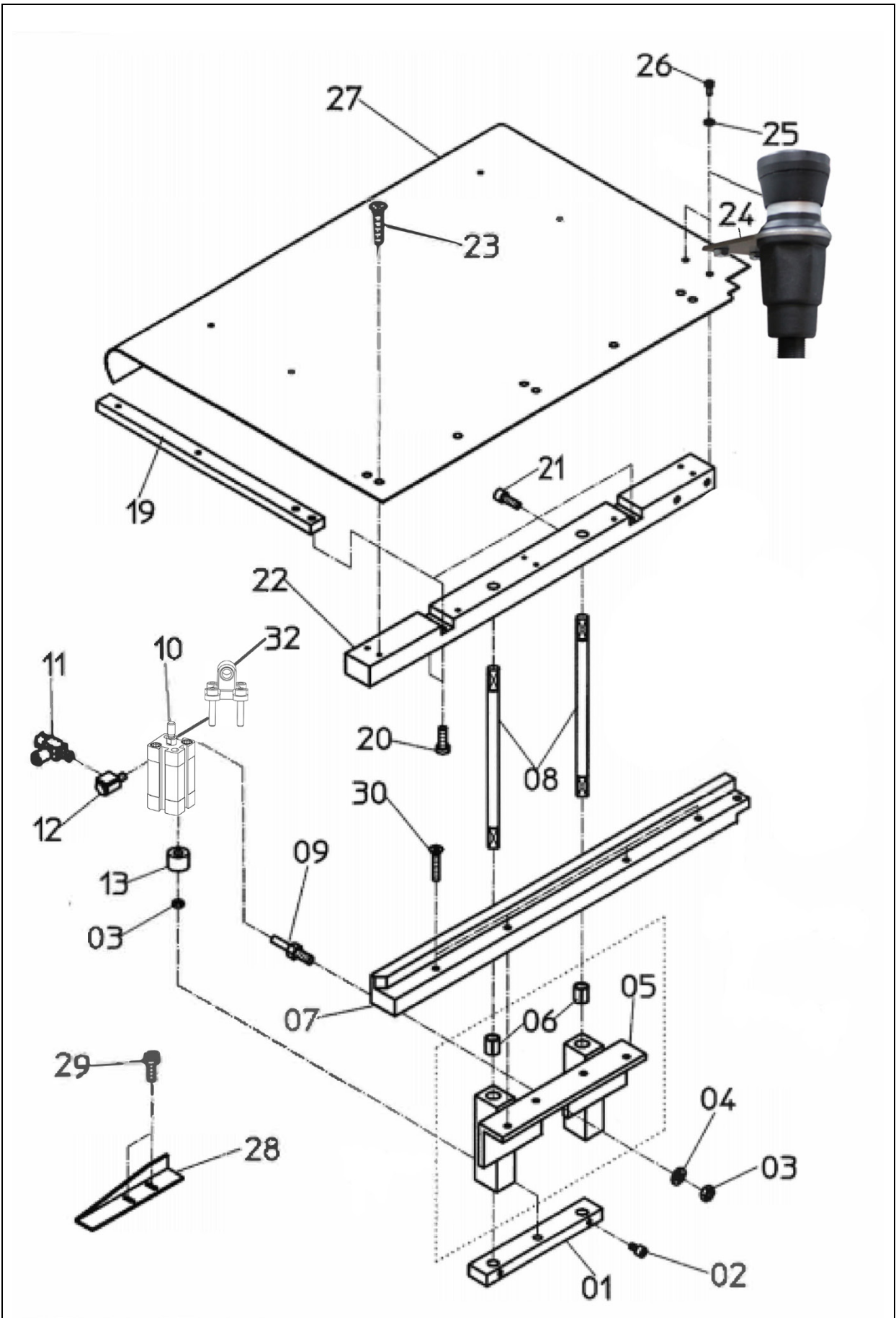
Staplerschwenker

Tafel 6

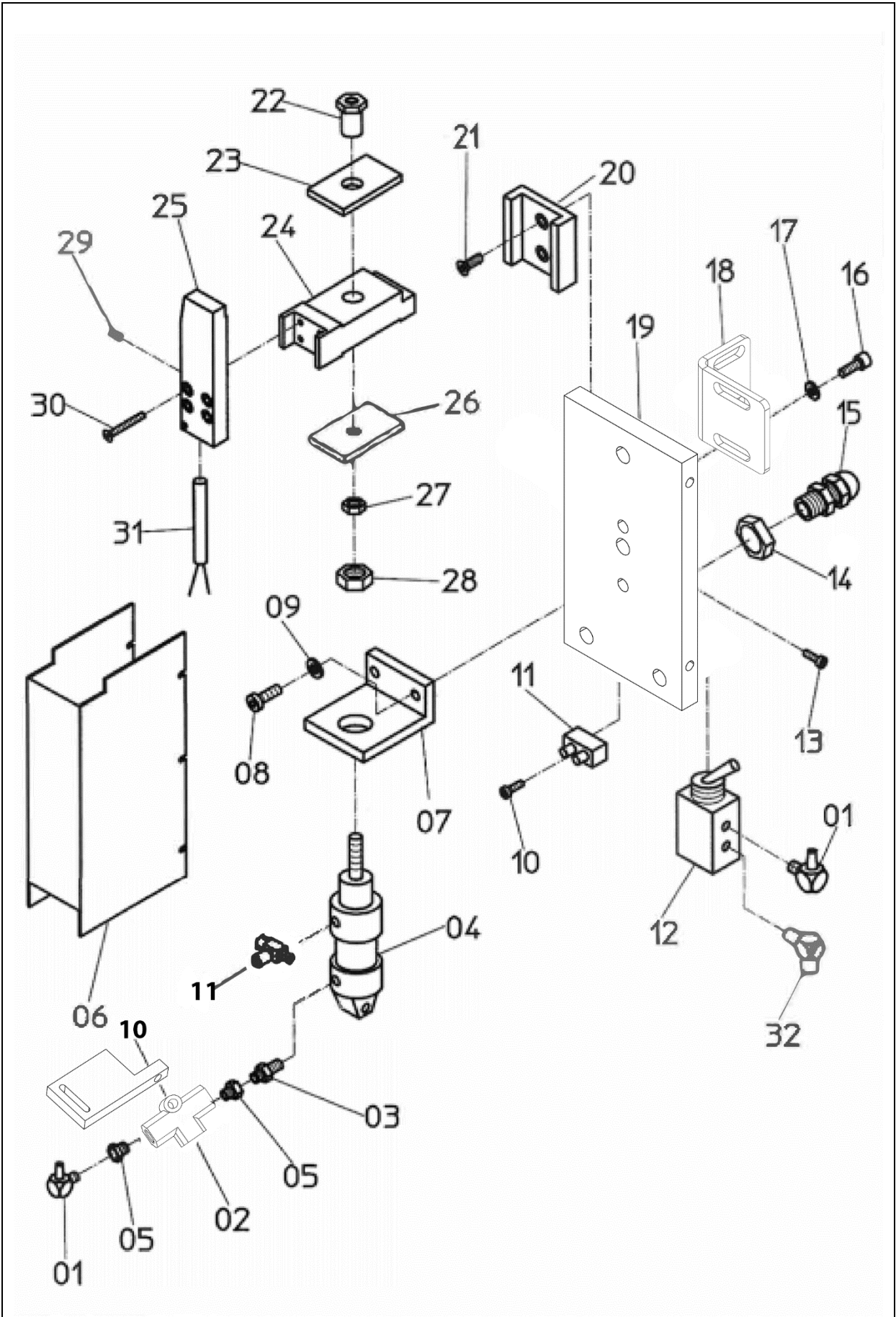
| Nr. No. | Artikel Nr. Article No. | Bezeichnung | Name | Stück Piece |
|---------|-------------------------|----------------|------------------|-------------|
| 01 | DIN912 M6x25 | Schraube | Screw | 4 |
| 02 | DIN125 AØ6,4 | Scheibe | Washer | 8 |
| 03 | 2242-00 | Klemme | Clamp | 1 |
| 04 | 8379-00 | Welle | Shaft | 1 |
| 05 | 1600462 | Nadelhülse | Sleeve | 1 |
| 06 | 1500389 | Winkelgelenk | Angle joint | 2 |
| 07 | DIN934 M6 | Mutter | Nut | 4 |
| 08 | 7883-00 | Schwenkwelle | Swingshaft | 1 |
| 09 | DIN912 M6x12 | Schraube | Screw | 5 |
| 10 | 7877-00 | Befestigung | Fastening | 1 |
| 11 | DIN933 M6x6 | Schraube | Screw | 1 |
| 12 | 1500423 | Buchse | Sleeve | 2 |
| 13 | 7874-02 | Lager | Bearing | 1 |
| 14 | 7881-00 | Rolle | Roller | 1 |
| 15 | 96-00 | Stehbolzen | Stay bolt | 1 |
| 16 | DIN125 AØ8,4 | Scheibe | Washer | 2 |
| 17 | DIN934 M8 | Mutter | Nut | 1 |
| 18 | DIN912 M8x25 | Schraube | Screw | 1 |
| 19 | 8685-00 | Halter | Holder | 1 |
| 20 | DIN912 M6x55 | Schraube | Screw | 2 |
| 21 | 8680-00 | Distanzstück | Shim | 1 |
| 22 | 1500515 | Distanzstück | Shim | 2 |
| 23 | 8383-00 | Schwenkarm | Swingarm | 1 |
| 24 | 11500445 | Buchse | Sleeve | 2 |
| 25 | 1400343 | Verschraubung | Screw joint | 4 |
| 26 | 9710 920012 | Drossel | Throttle | 2 |
| 28 | DIN912 M6x16 | Schraube | Screw | 4 |
| 29 | 1000218-01 | Zylinder | Cylinder | 2 |
| 30 | 8380-00 | Halter | Holder | 1 |
| 31 | 7884-00 | Klemmplatte | Clamping plate | 1 |
| 32 | DIN988 10x12 | Scheibe | Washer | 2 |
| 33 | 8028-00 | Stempel | Stamp | 2 |
| 34 | 8382-00 | Befestigung | Fastening | 1 |
| 35 | 1600467 | Stelling | Set collar | 1 |
| 36 | 9700 231012 | Zylinder | Cylinder | 1 |
| 37 | 6927-00 | Drossel | Throttle valve | 2 |
| 38 | 1300312 | Verschraubung | Screw joint | 2 |
| 39 | 8683-00 | Stehbolzen | Stay bolt | 1 |
| 40 | 91.8383-00 | Arm komplett | Arm complete | 1 |
| 41 | 91.7874-02 | Lager komplett | Bearing complete | 1 |
| 42 | 1300318 | Verschraubung | Screw joint | 2 |
| 1225-6 | Staplerschwenker | | | Tafel 6 |



| Nr. No. | Artikel Nr. Article No. | Bezeichnung | Name | Stück Piece |
|------------|----------------------------|-------------------------------|---------------------|----------------|
| 01 | 9202 002907 | Zylinderschraube | Cylinder screw | 4 |
| 02 | 9870 001020 | Leitungssatz Hauptschalter | Harness main switch | 1 |
| 1225-6 | Schaltkasten | | | Tafel 7 |



| Nr. No. | Artikel Nr. Article No. | Bezeichnung | Name | Stück Piece |
|------------|----------------------------|--------------------|------------------|----------------|
| 01 | 2288-00 | Führung | Guide | 1 |
| 02 | DIN912 M4x6 | Schraube | Screw | 2 |
| 03 | DIN933 M6 | Mutter | Nut | 2 |
| 04 | DIN125 AØ6,4 | Scheibe | Washer | 1 |
| 05 | 1220 410010 | Klammerführung | Clamp guide | 1 |
| 06 | 1500429 | Buchse | Bushing | 4 |
| 07 | 8362-00 | Leiste | Ledge | 1 |
| 08 | 2289-00 | Welle | Shaft | 2 |
| 09 | 1220 410020 | Zylinderbolzen | Cylinder bolt | 1 |
| 10 | 9700 233001 | Zylinder | Cylinder | 1 |
| 11 | 6927-00 | Drossel | Throttle vlave | 2 |
| 12 | 1300318 | Verschraubung | Screw joint | 2 |
| 13 | 1627-00 | Buchse | Bushing | 1 |
| 19 | 2860-00 | Leiste | Ledge | 2 |
| 20 | DIN913 M4x18 | Schraube | Screw | 4 |
| 21 | DIN912 M5x12 | Schraube | Screw | 2 |
| 22 | 1220 490120 | Leiste | Ledge | 1 |
| 23 | DIN963 M2,5x6 | Schraube | Screw | 12 |
| 24 | 1220 490020 | Befestigungswinkel | Mounting bracket | 1 |
| 25 | DIN125 AØ3,2 | Scheibe | Washer | 2 |
| 26 | DIN84 M3x6 | Schraube | Screw | 2 |
| 27 | 4496-00 | Klammerblech | Clamp plate | 1 |
| 28 | 2448-00 | Winkel | Square | 1 |
| 29 | DIN84 M3x8 | Schraube | Screw | 2 |
| 32 | 9700 900520 | Schwenkflansch | Aiming flange | 1 |
| 1225-6 | Futterklammer | | | Tafel 8 |

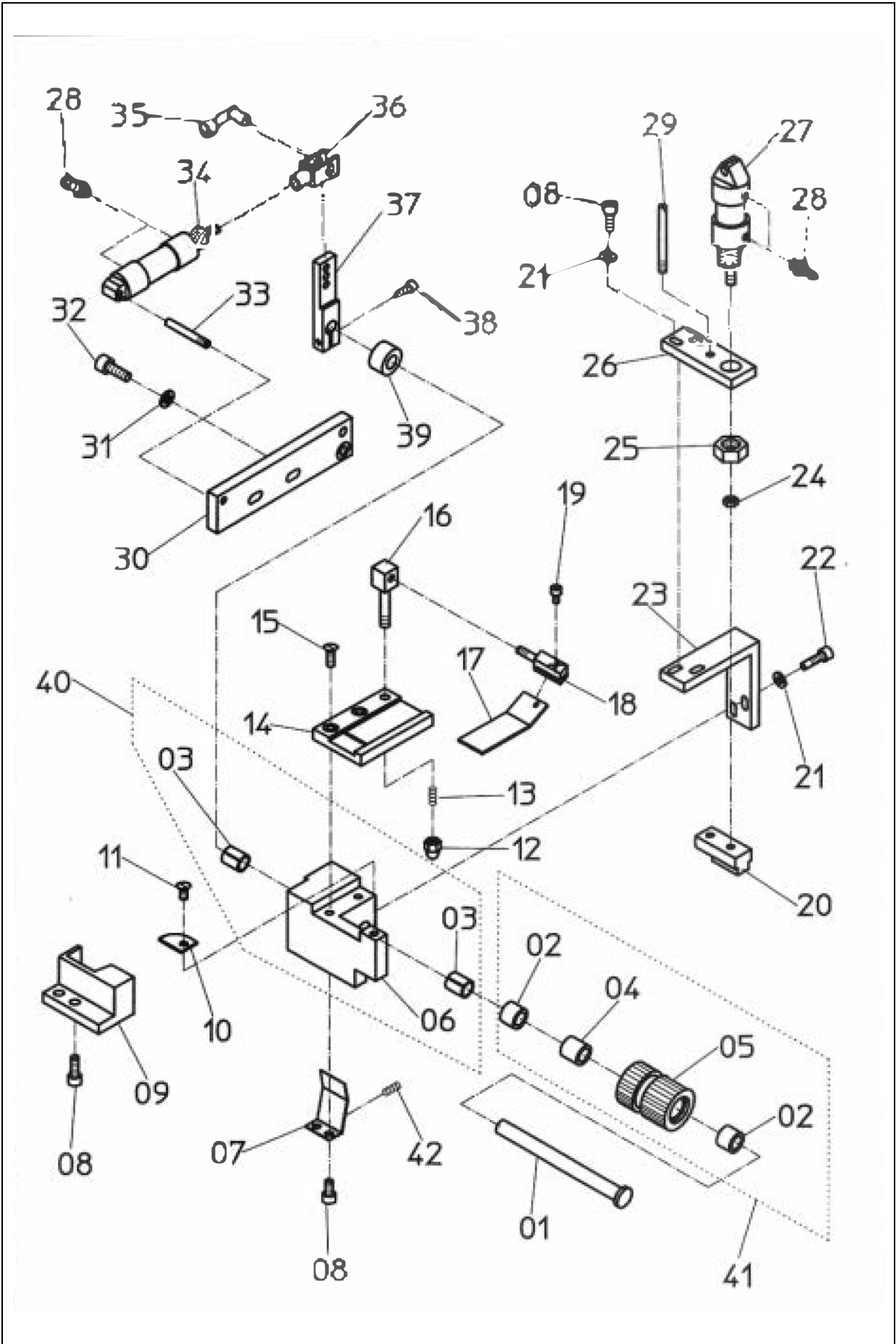


1225-6

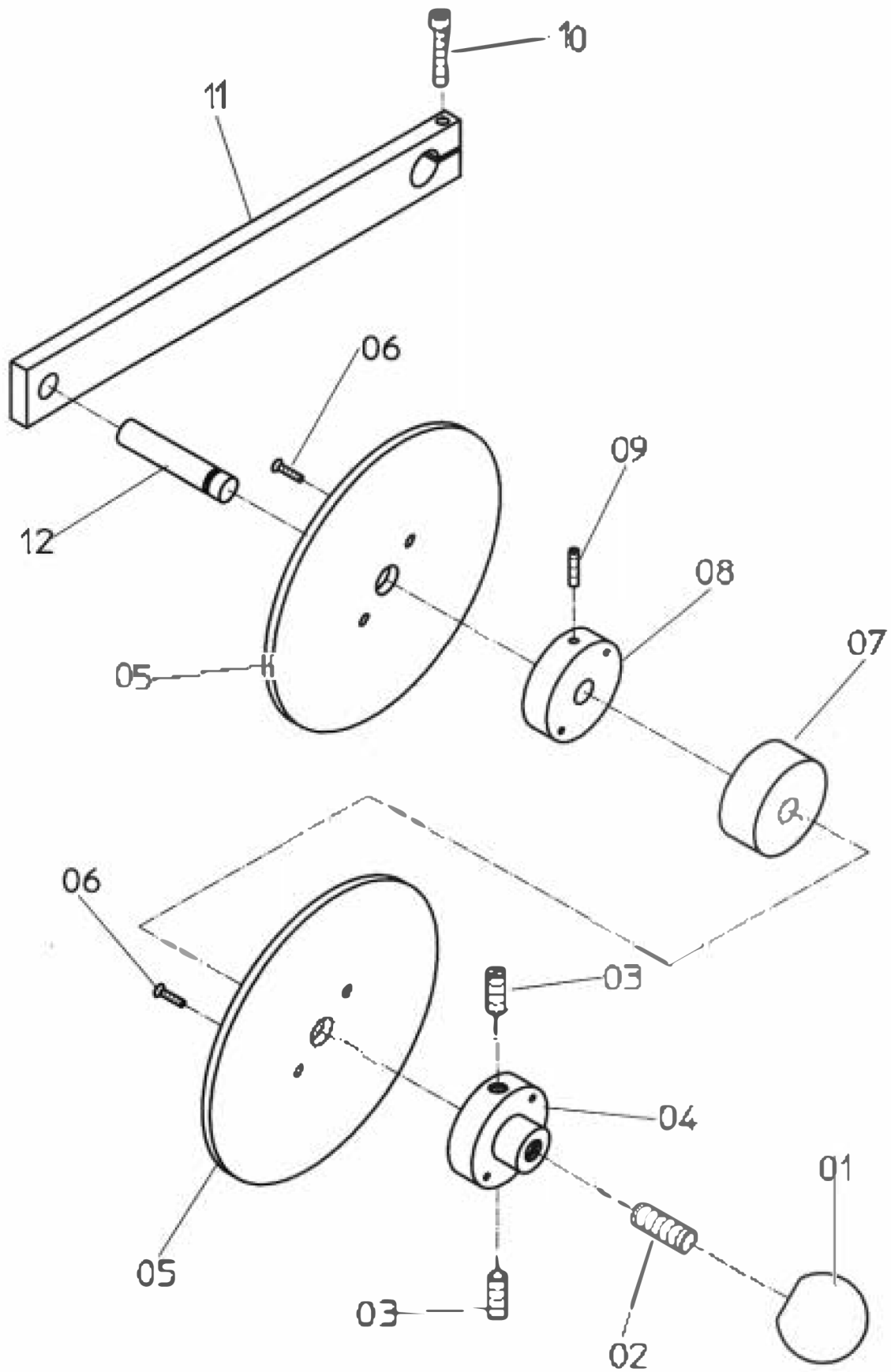
Klebehefter

Tafel 9

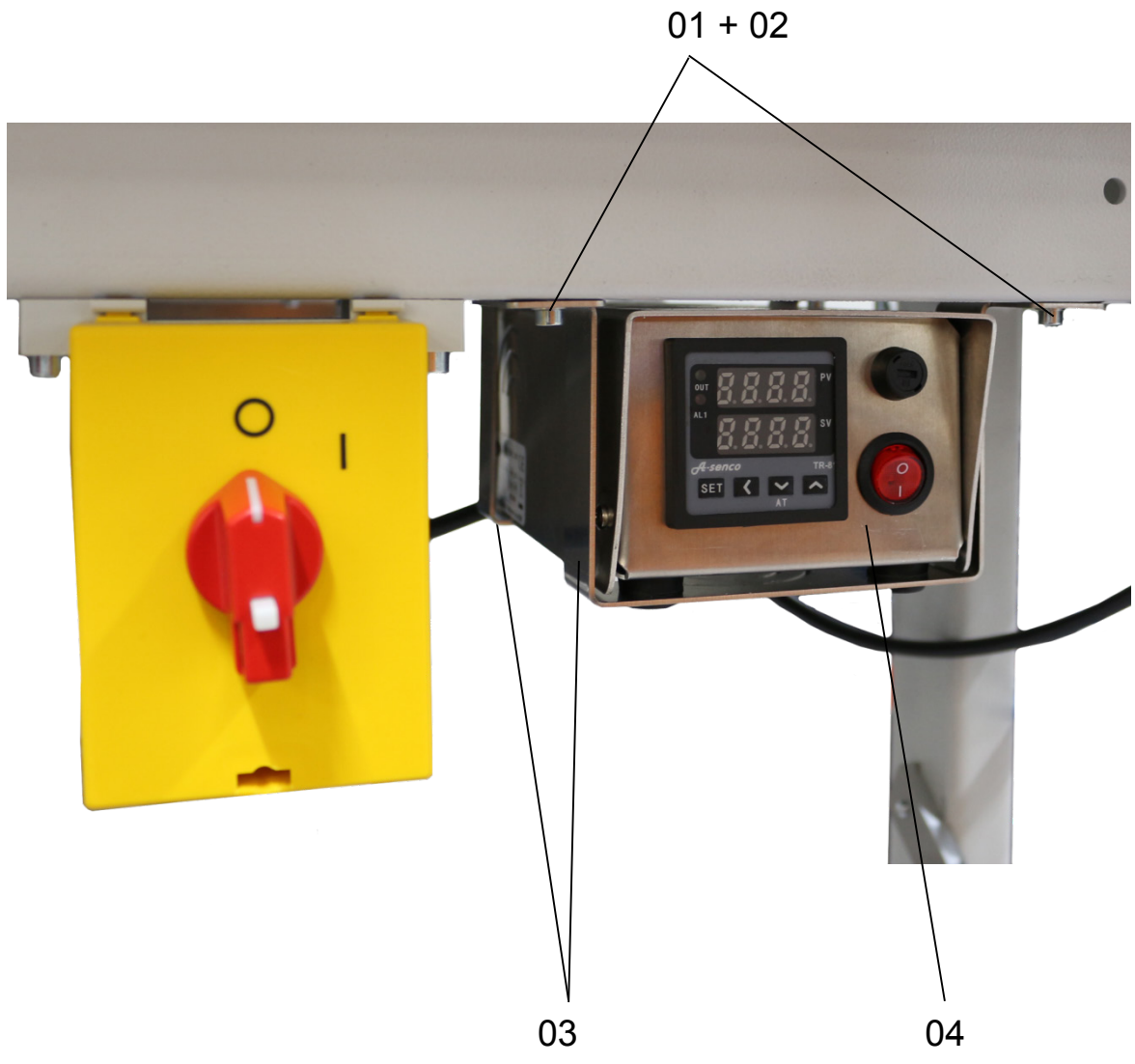
| Nr. No. | Artikel Nr. Article No. | Bezeichnung | Name | Stück Piece |
|------------|----------------------------|----------------------------|-------------------------------|----------------|
| 01 | 9790 201000 | Winkelverschraubung | Elbow union | 4 |
| 02 | B1100208.00 | Oder-Baustein | Module | 1 |
| 03 | 9792 003020 | Doppelnippel | Double nipple | 1 |
| 04 | 1000163 | Zylinder | Cylinder | 1 |
| 05 | 9792 001030 | Reduziernippel | Reduction nipple | 3 |
| 06 | 1220 410050 | Schutzblech | Quard | 1 |
| 07 | 1220 490060 | Zylinderhalter | Cylinder holder | 1 |
| 08 | DIN912 M5x12 | Schraube | Screw | 2 |
| 09 | DIN125 AØ5,3 | Scheibe | Washer | 2 |
| 10 | B009910.00 | Führung | Guide | 1 |
| 11 | 9710 920012 | Drossel | Throttle | 2 |
| 12 | 1100248 | Ventil | Valve | 1 |
| 13 | DIN84 M3x10 | Schraube | Screw | 3 |
| 14 | 2100545 | Mutter | Nut | 2 |
| 15 | 2100542 | Kabelführung | Cable guide | 2 |
| 18 | 1220 490030 | Winkel | Bracket | 1 |
| 19 | 1220 490040 | Halter | Holder | 1 |
| 20 | 4848-00 | Führung | Guide | 1 |
| 21 | DIN963 M4x10 | Schraube | Screw | 2 |
| 22 | 4846-00 | Mutter | Nut | 1 |
| 23 | 4844-00 | Platte | Plate | 1 |
| 24 | 1220 490110 | Distanzstück | Shim | 1 |
| 25 | B004842.00 | Heizstab | Immersion heater | 1 |
| 26 | 4845-00 | Platte | Plate | 1 |
| 27 | DIN439 M6 | Mutter | Nut | 1 |
| 28 | DIN439 M16x1,5 | Mutter | Nut | 1 |
| 29 | DIN913 M3x5 | Schraube | Screw | 1 |
| 30 | DIN963 M3x20 | Schraube | Screw | 4 |
| 31 | 9881 225000 | Heizpatrone mit Leitung | Heating element with cable | 1 |
| 32 | 1300321 | Verschraubung | Screw joint | 1 |
| 1225-6 | Klebehefter | | | Tafel 9 |



| Nr. No. | Artikel Nr. Article No. | Bezeichnung | Name | Stück Piece |
|---------|-------------------------|----------------|----------------------|-------------|
| 01 | 4514-00 | Welle | Shaft | 1 |
| 02 | 1500464 | Nadelhülse | Bearing | 2 |
| 03 | 1500429 | Buchse | Bushing | 2 |
| 04 | 1500434 | Buchse | Bushing | 1 |
| 05 | 4513-00 | Rolle | Roller | 1 |
| 06 | 4502-00 | Lager | Bearing | 1 |
| 07 | 4511-00 | Blattfeder | Leaf spring | 1 |
| 08 | DIN912 M4x10 | Schraube | Screw | 6 |
| 09 | 4856-00 | Halter | Holder | 1 |
| 10 | 4512-00 | Platte | Plate | 1 |
| 11 | DIN965 M4x8 | Schraube | Screw | 1 |
| 12 | DIN1587 M5 | Hutmutter | Cap nut | 1 |
| 13 | 1700478 | Feder | Spring | 1 |
| 14 | 4503-00 | Führung | Guide | 1 |
| 15 | DIN965 M4x10 | Schraube | Screw | 1 |
| 16 | 4506-00 | Halter | Holder | 1 |
| 17 | 4515-00 | Blattfeder | Leaf spring | 1 |
| 18 | 4507-00 | Federhalter | Spring holder | 1 |
| 19 | DIN912 M3x5 | Schraube | Screw | 1 |
| 20 | 4855-00 | Druckstück | Workholder bar | 1 |
| 21 | DIN125 AØ4,3 | Scheibe | Washer | 4 |
| 22 | DIN912 M4x12 | Schraube | Screw | 2 |
| 23 | 1220 490130 | Halter | Holder | 1 |
| 24 | DIN439 M4 | Mutter | Nut | 1 |
| 25 | DIN439 M10x1,5 | Mutter | Nut | 1 |
| 26 | 4509-00 | Zylinderlasche | Cylinder cover plate | 1 |
| 27 | 9700 231026 | Zylinder | Cylinder | 1 |
| 28 | 1400341 | Verschraubung | Screw joint | 4 |
| 29 | DIN427 M4x35 | Schraube | Screw | 1 |
| 30 | 4504-00 | Lasche | Cover plate | 1 |
| 31 | DIN125 AØ5,3 | Scheibe | Washer | 1 |
| 32 | DIN912 M5x12 | Schraube | Screw | 1 |
| 33 | 9202 061680 | Schraube | Screw | 1 |
| 34 | 9700 231028 | Zylinder | Cylinder | 1 |
| 35 | 1800524 | ES-Bolzen | Bolt | 1 |
| 36 | 1800511 | Gabelkopf | Fork crown | 1 |
| 37 | 1220 490140 | Hebel | Lever | 1 |
| 38 | DIN912 M3x8 | Schraube | Screw | 1 |
| 39 | 1600466 | Stelling | Set collar | 1 |
| 40 | 91.4502-00 | Lager komplett | Bearing complete | 1 |
| 41 | 91.4513-00 | Rolle komplett | Roller complete | 1 |
| 42 | 1700462 | Druckfeder | Compression spring | 1 |
| 1225-6 | Klebehefter | | | Tafel 10 |



| Nr. No. | Artikel Nr. Article No. | Bezeichnung | Name | Stück Piece |
|------------|----------------------------|----------------|--------------|----------------|
| 01 | 1600488 | Kugelknopf | Ball screw | 1 |
| 02 | DIN913 M10x25 | Schraube | Screw | 1 |
| 03 | 1600485 | Schraube | Screw | 2 |
| 04 | 4526-00 | Rolle | Roller | 1 |
| 05 | 4529-00 | Plastikscheibe | Plastic disc | 2 |
| 06 | DIN963 M3x12 | Schraube | Screw | 4 |
| 07 | 4527-00 | Scheibe | Washer | 1 |
| 08 | 4528-00 | Scheibe | Washer | 1 |
| 09 | DIN913 M4x15 | Schraube | Screw | 1 |
| 10 | DIN912 M5x25 | Schraube | Screw | 1 |
| 11 | 1200 490090 | Halter | Holder | 1 |
| 12 | 1220 490100 | Welle | Shaft | 1 |
| 1225-6 | Klebehefter | | | Tafel 11 |

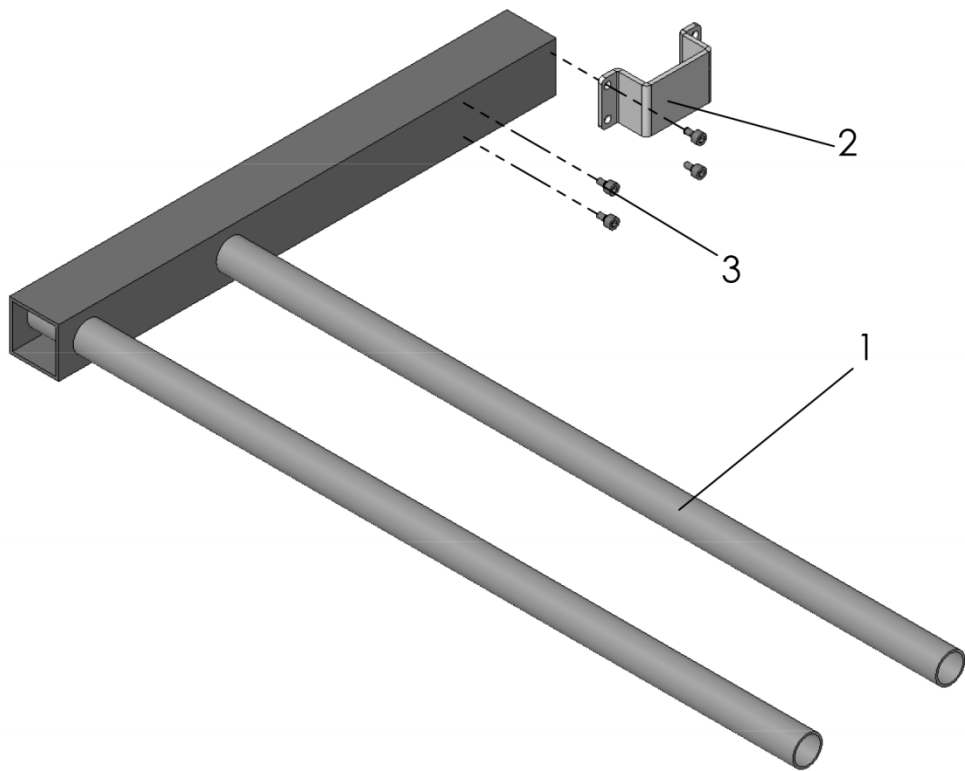


1225-6

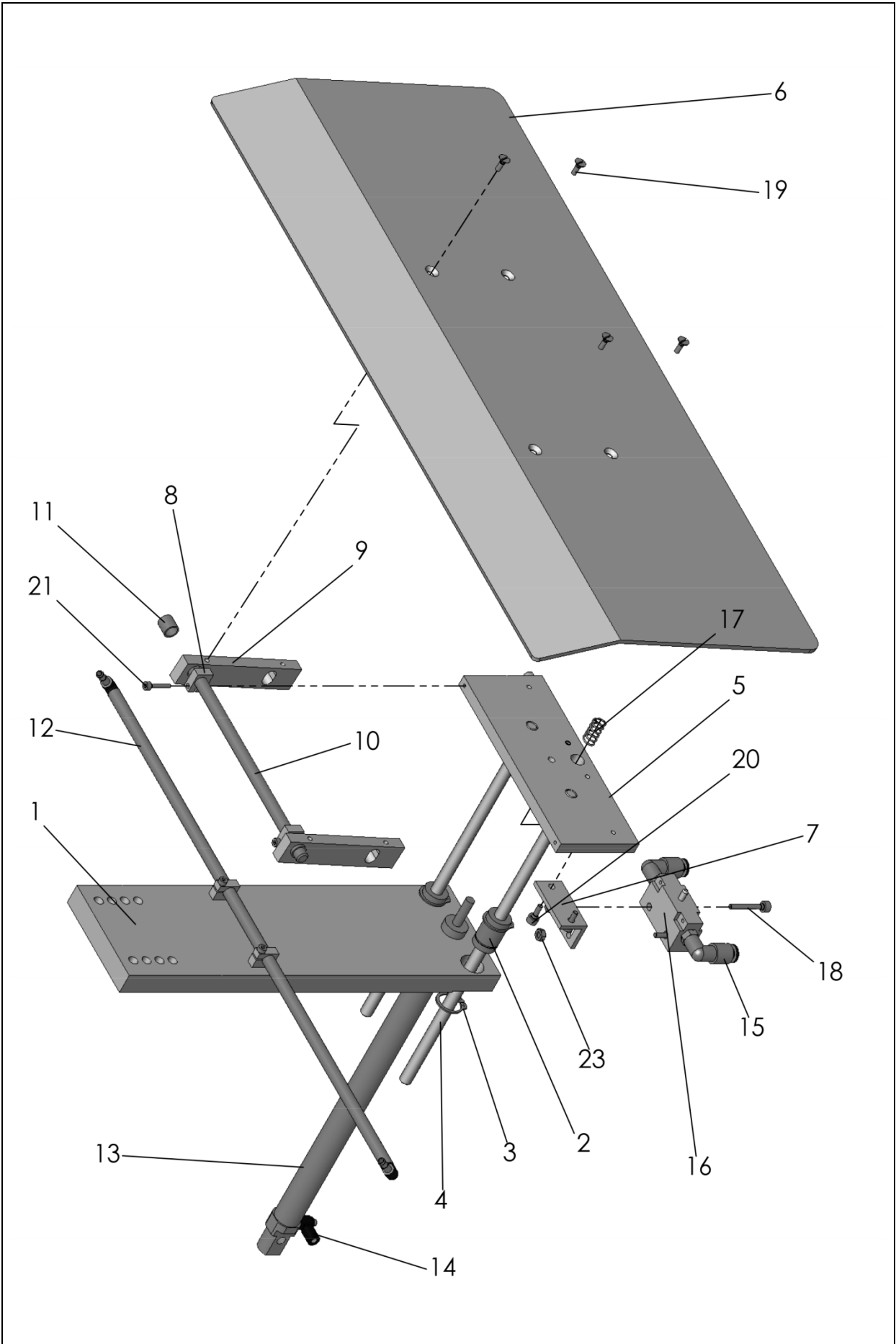
Temperatur-Regelgerät

Tafel 12

| Nr. No. | Artikel Nr. Article No. | Bezeichnung | Name | Stück Piece |
|------------|----------------------------|---------------------------|-------------------------------|----------------|
| 01 | 9202 022077 | Schraube | Screw | 4 |
| 02 | 9330 700097 | Scheibe | Washer | 4 |
| 03 | 1220 490080 | Winkel | Bracket | 2 |
| 04 | 9835 901020 | Temperatur- Regelgerät | Temperature control device | 1 |
| 1225-6 | Temperatur-Regelgerät | | | Tafel 12 |

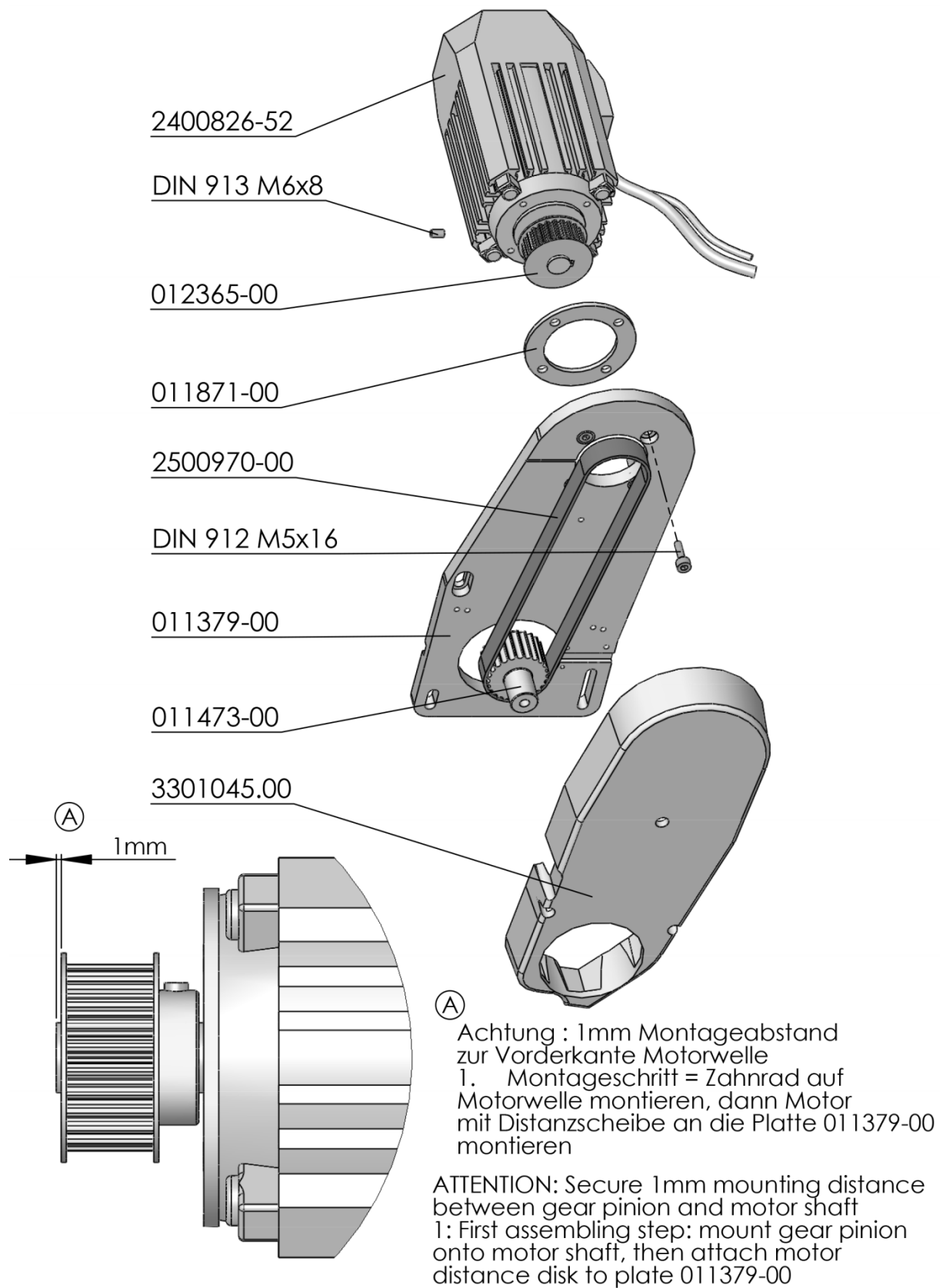


| Nr. No. | Artikel Nr. Article No. | Bezeichnung | Name | Stück Piece |
|------------|----------------------------|-------------|---------|----------------|
| 01 | 011468-00 | Stapler | Stacker | 1 |
| 02 | 011469-00 | Schelle | Clip | 1 |
| 03 | DIN 912 M6x10 | Schraube | Screw | 4 |
| 1225-6 | Stapler 1 | | | Tafel 13 |



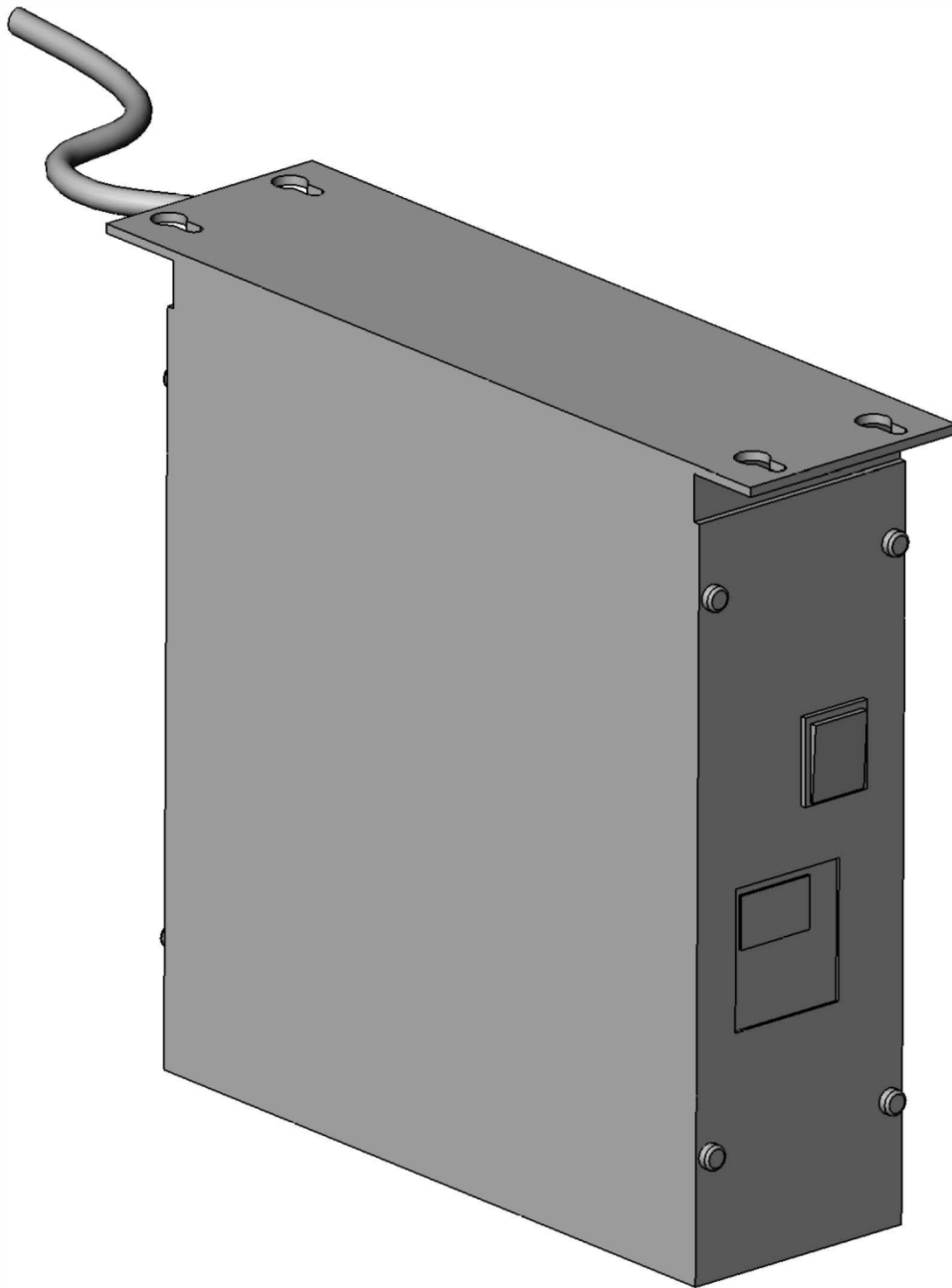
| | | |
|--------|-----------|----------|
| 1225-6 | Stapler 2 | Tafel 14 |
|--------|-----------|----------|

| Nr. No. | Artikel Nr. Article No. | Bezeichnung | Name | Stück Piece |
|------------|----------------------------|------------------|-------------------------------|----------------|
| 01 | 008432-00 | Platte | Plate | 1 |
| 02 | 1500454-00 | Kugelbuchse | Sleeve | 2 |
| 03 | 1500455-00 | Sicherungsring | Circlip | 4 |
| 04 | 005470-00 | Welle | Shaft | 2 |
| 05 | 008438-00 | Platte | Plate | 1 |
| 06 | 008437-00 | Klemmplatte | Clampplate | 1 |
| 07 | 008426-00 | Winkel | Angle | 1 |
| 08 | 000349-00 | Klemme | Clamp | 4 |
| 09 | 008427-00 | Halter | Holder | 2 |
| 10 | 003770-00 | Welle | Shaft | 1 |
| 11 | 1500429-00 | Buchse | Bushing | 2 |
| 12 | 008431-00 | Blasrohr | Blowing pipe | 1 |
| 13 | 1000241-00 | Zylinder | Cylinder | 1 |
| 14 | 006927-00 | Abluftdrossel | Exhaust air throttle valve | 2 |
| 15 | 1300287-00 | Verschraubung | Screw joint | 2 |
| 16 | 1100329-00 | Ventil | Valve | 1 |
| 17 | 1700482-00 | Druckfeder | Pressure spring | 1 |
| 18 | DIN 912 M4x25 | Zylinderschraube | Cylinder screw | 2 |
| 19 | DIN 963A M4x10 | Schraube | Screw | 4 |
| 20 | DIN 912 M4x10 | Zylinderschraube | Cylinder screw | 2 |
| 21 | DIN 912 M3x16 | Zylinderschraube | Cylinder screw | 4 |
| 22 | DIN 912 M4x8 | Zylinderschraube | Cylinder screw | 1 |
| 23 | DIN 934 M4 | Mutter | Nut | 2 |
| 1225-6 | Stapler 2 | | | Tafel 14 |



| | | |
|--------|---------------|----------|
| 1225-6 | Direktantrieb | Tafel 15 |
|--------|---------------|----------|

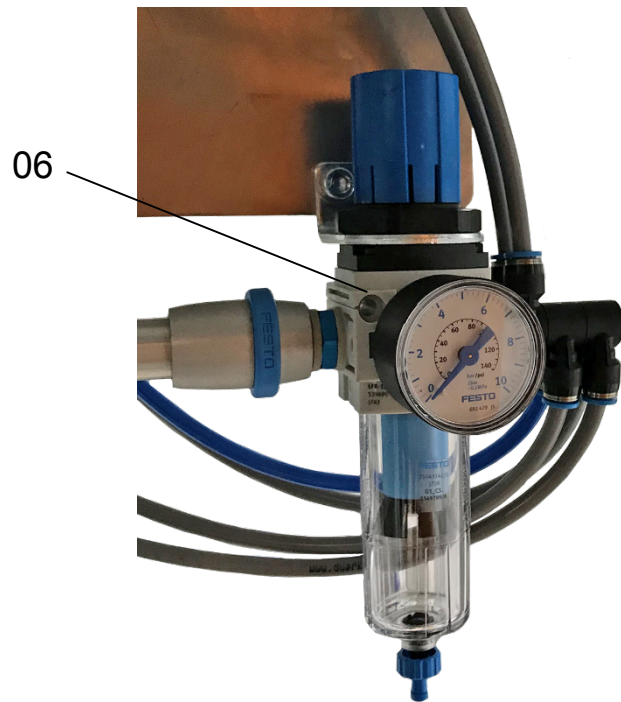
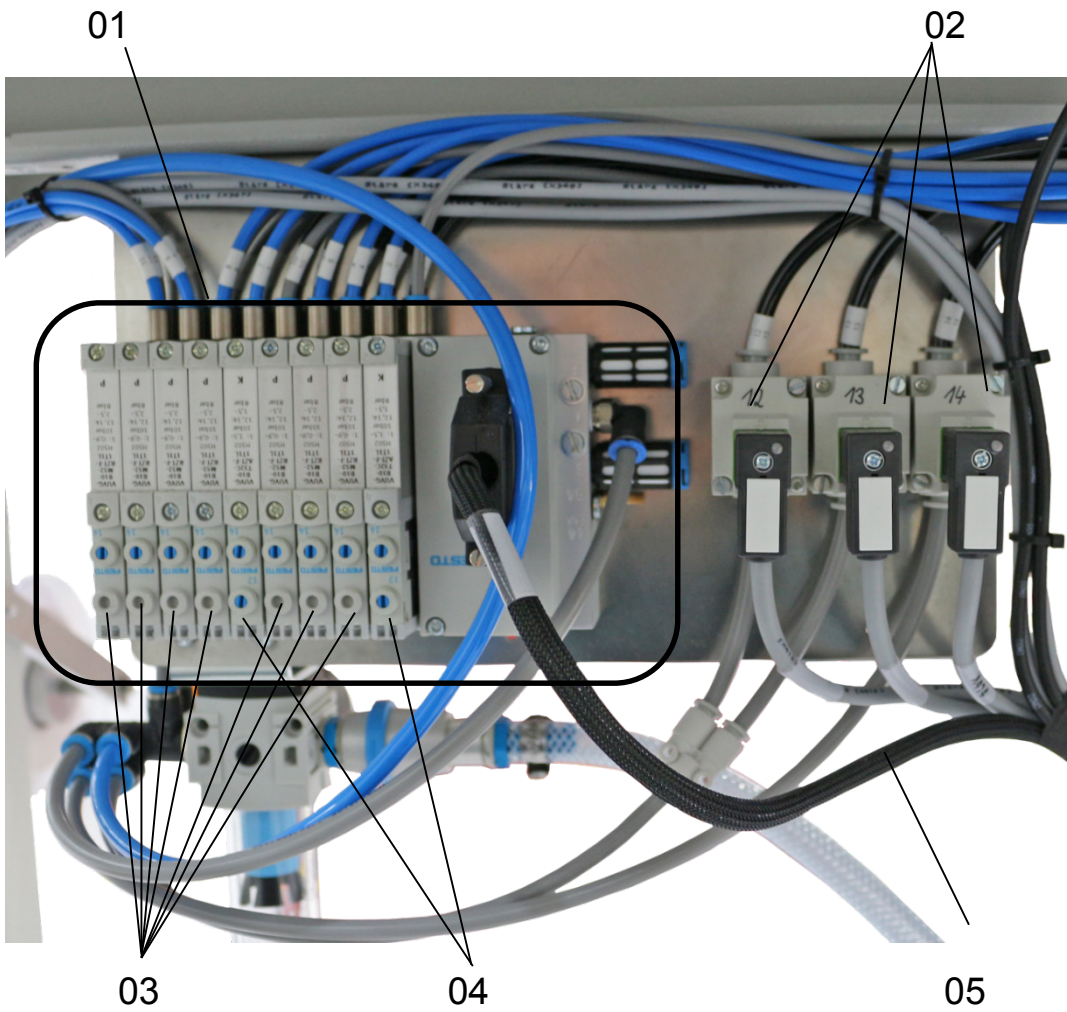
| Artikel No. | Description | Machine |
|---------------|-------------|---------|
| 2400836.08.11 | Control | 1225-6 |



1225-6

Steuerung

Tafel 16

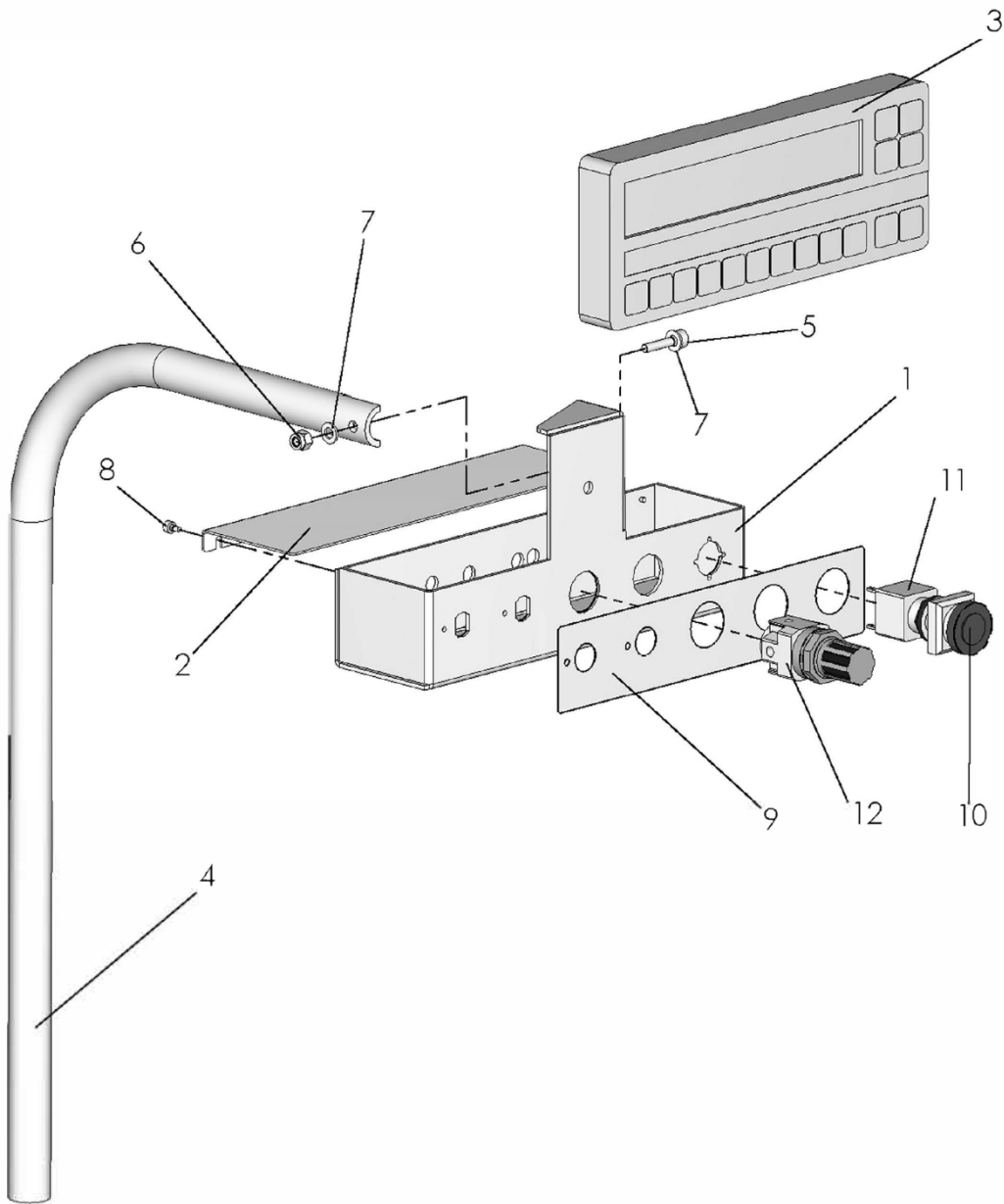


1225-6

Ventilverteilung

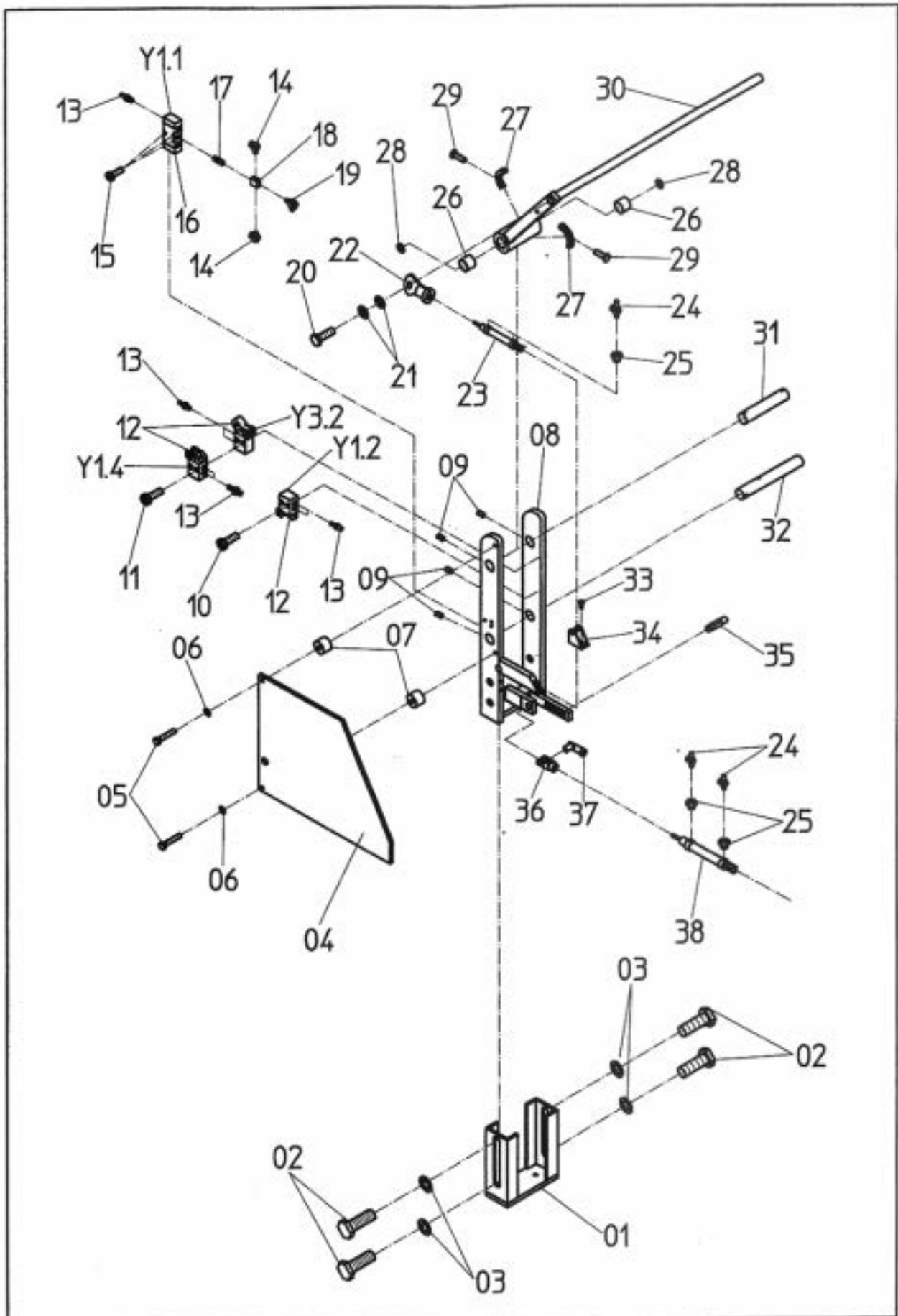
Tafel 17

| Nr. No. | Artikel Nr. Article No. | Bezeichnung | Name | Stück Piece |
|------------|----------------------------|-----------------|------------------|----------------|
| 01 | 9712 122501 | Ventilblock | Valve block | 1 |
| 02 | B1100161.30 | Ventil 2/2 Wege | Valve 2/2 | 3 |
| 03 | 9710 063411 | Ventil 5/2 Wege | Valve 5/2 | 7 |
| 04 | 9710 061411 | Ventil 3/2 Wege | Valve 3/2 | 2 |
| 05 | 9871 225000 | Kabelbaum | Cable harness | 1 |
| 06 | 9780 755001 | Wartungseinheit | Maintenance unit | 1 |
| 1225-6 | Ventilverteilung | | | Tafel 17 |



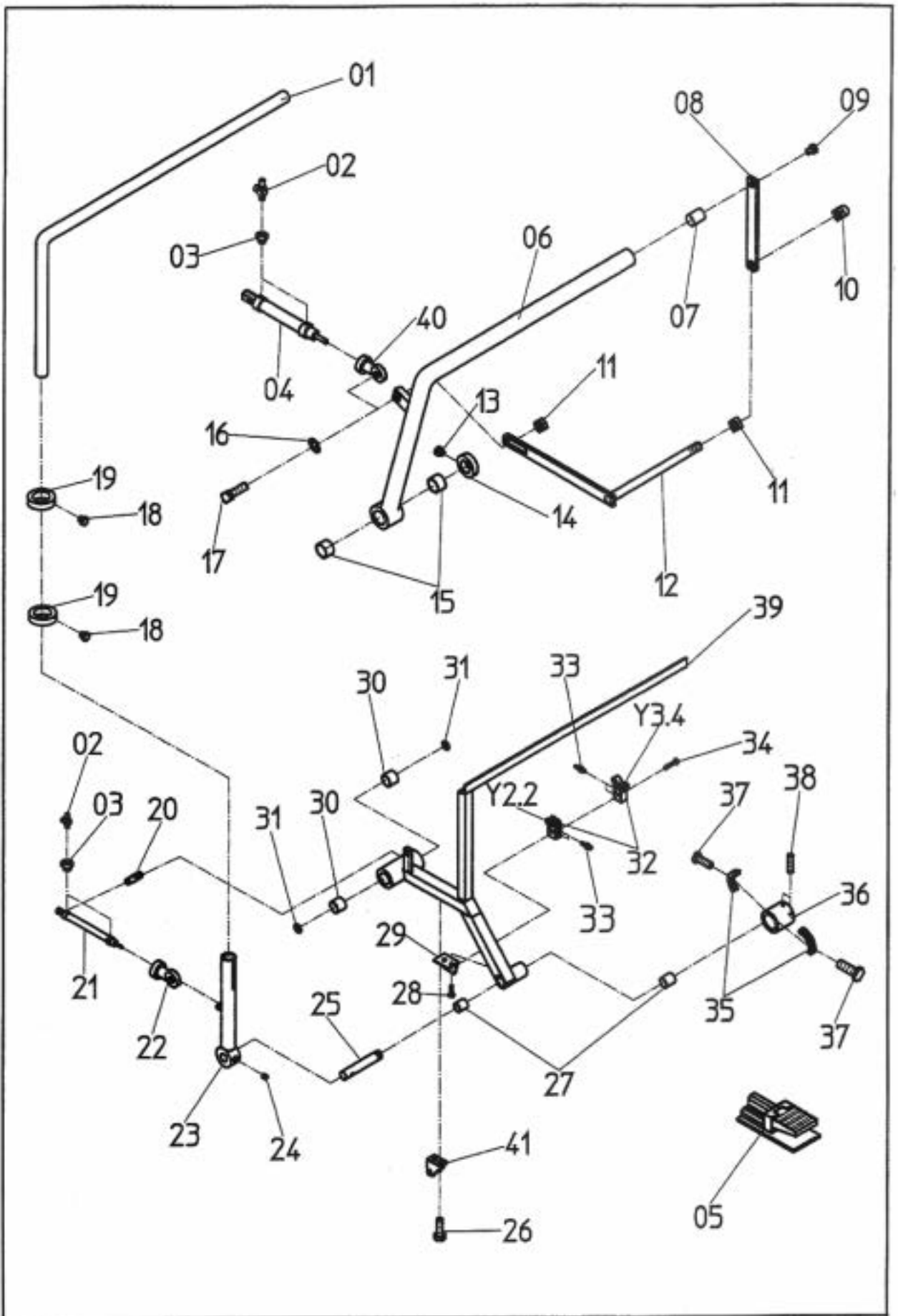
| NR. No. | STÜCK PIECE | TEILENR. | Bezeichnung | Name |
|---------|-------------|---------------|---------------------|--------------------|
| 1 | 1 | 011461-00 | Gehäuse | housing |
| 2 | 1 | 011463-00 | Deckel | cover |
| 3 | 1 | 2400836-01 | Bedienfeld | display |
| 4 | 1 | 9160-00-1365 | Bedienfeldhalter | display holder |
| 5 | 1 | DIN 912 M5x20 | Zylinderschraube | cylinder screw |
| 6 | 1 | DIN 6924 M5 | Sechskantmutter | nut |
| 7 | 2 | DIN 125 A5,3 | Scheibe | washer |
| 8 | 2 | DIN 912 M3x5 | Zylinderschraube | cylinder screw |
| 9 | 1 | 011538-03 | Beschriftungsschild | label |
| 10 | 1 | 9815 101010 | NOT-AUS-TASTE | emergency button |
| 11 | 1 | 9815 101085 | Schaltelement | switch |
| 12 | 1 | 1200274-00 | Druckregler | pressure regulator |

Klappstapler 201/6 Teileliste



| | | |
|---------|--------------|-------|
| TAFEL 1 | KLAPPSTAPLER | 201/6 |
|---------|--------------|-------|

| NR. NO. | ARTIKEL NR: ARTICLE NO: | BEZEICHNUNG | NAME | ST. PIECE |
|------------|----------------------------|---------------|----------------|--------------|
| 01 | 7887-00 | Grundplatte | base plate | 1 |
| 02 | DIN933 M10*20 | Schraube | screw | 4 |
| 03 | DIN9021 Ø10.5 | Scheibe | washer | 4 |
| 04 | 7447-00 | Blech | plate | 1 |
| 05 | DIN 912 M5*45 | Schraube | screw | 2 |
| 06 | DIN 125 AØ5.4 | Scheibe | washer | 2 |
| 07 | 7488-00 | Distanzstück | distance piece | 2 |
| 08 | 8995-00 | Rahmen | frame | 1 |
| 09 | DIN913 M6*15 | Schraube | screw | 4 |
| 10 | DIN912 M4*25 | Schraube | screw | 2 |
| 11 | DIN912 M4*40 | Schraube | screw | 2 |
| 12 | 1100249 | Ventil | valve | 3 |
| 13 | 1400343 | Verschraubung | screw joint | 9 |
| 14 | 1400341 | Verschraubung | screw joint | 3 |
| 15 | DIN912 M3*20 | Schraube | screw | 2 |
| 16 | 1100195 | Ventil | valve | 1 |
| 17 | 1300310 | Verschraubung | screw joint | 1 |
| 18 | 1300324 | Verschraubung | screw joint | 1 |
| 19 | 1300321 | Verschraubung | screw joint | 1 |
| 20 | DIN933 M10*30 | Schraube | screw | 1 |
| 21 | DIN125 AØ10.5 | Scheibe | washer | 2 |
| 22 | 1000202 | Gelenkkopf | swivel head | 1 |
| 23 | 1000216 | Zylinder | cylinder | 1 |
| 24 | 6927-00 | Drossel | throttle valve | 4 |
| 25 | 1300312 | Verschraubung | screw joint | 4 |
| 26 | 1500423 | Buchse | sleeve | 2 |
| 27 | 7437-00 | Anschlag | impact | 2 |
| 28 | DIN988 162601 | Scheibe | washer | 2 |
| 29 | DIN933 M4*8 | Schraube | screw | 2 |
| 30 | 8989-00 | Bügel | stirrup | 1 |
| 31 | 7442-00 | Welle | shaft | 1 |
| 32 | 7443-00 | Welle | shaft | 1 |
| 33 | DIN912 M6*10 | Schraube | screw | 2 |
| 34 | 1000148 | Befestigung | fastening | 1 |
| 35 | 7440-00 | Bolzen | bolt | 1 |
| 36 | 1000217 | Gabelkopf | fork crown | 1 |
| 37 | 1800531 | Bolzen | bolt | 1 |
| 38 | 1000215 | Zylinder | cylinder | 1 |
| 201/6 | | KLAPPSTAPLER | | Tafel 1 |



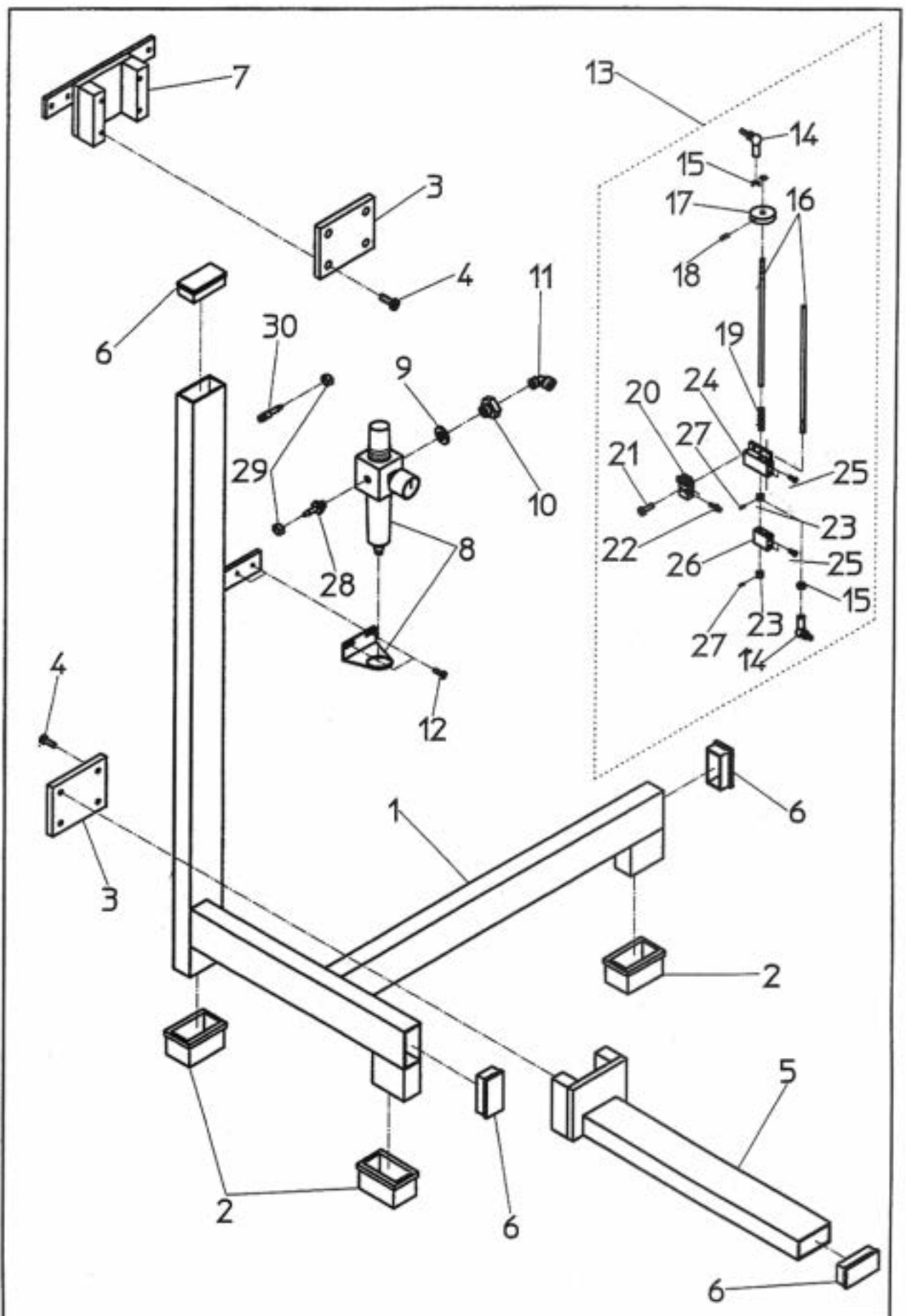
| | | |
|---------|--------------|-------|
| TAFEL 2 | KLAPPSTAPLER | 201/6 |
|---------|--------------|-------|

| NR. NO. | ARTIKEL NR: ARTICLE NO: | BEZEICHNUNG | NAME | ST. PIECE |
|------------|----------------------------|---------------|----------------|--------------|
| 01 | 8991-00 | Rohr | pipe | 1 |
| 02 | 6927-00 | Drossel | throttle valve | 4 |
| 03 | 1300312 | Verschraubung | screw joint | 4 |
| 04 | 1000215 | Zylinder | cylinder | 1 |
| 05 | 1100192 | Ventil | valve | 1 |
| 06 | 7433-00 | Bügel | stirrup | 1 |
| 07 | 7432-00 | Bolzen | bolt | 1 |
| 08 | 7431-00 | Lasche | cover plate | 1 |
| 09 | DIN912 M6*12 | Schraube | screw | 1 |
| 10 | DIN1587 M10 | Mutter | nut | 1 |
| 11 | DIN934 M10 | Mutter | nut | 2 |
| 12 | 7430-00 | Bügel | stirrup | 1 |
| 13 | DIN912 M6*6 | Schraube | screw | 1 |
| 14 | 1600462 | Stellring | set collar | 1 |
| 15 | 1500439 | Buchse | sleeve | 2 |
| 16 | DIN125 A010.5 | Scheibe | washer | 1 |
| 17 | DIN933 M10*45 | Schraube | screw | 1 |
| 18 | DIN912 M6*08 | Schraube | screw | 2 |
| 19 | 8145-00 | Stellring | set collar | 2 |
| 20 | 7441-00 | Welle | shaft | 1 |
| 21 | 1000214 | Zylinder | cylinder | 1 |
| 22 | 1500394 | Gelenkkopf | swivel head | 1 |
| 23 | 8993-00 | Bügel | stirrup | 1 |
| 24 | DIN913 M8*10 | Schraube | screw | 1 |
| 25 | 7429-01 | Welle | shaft | 1 |
| 26 | DIN6912 M6*10 | Schraube | screw | 2 |
| 27 | 1500433 | Buchse | sleeve | 2 |
| 28 | DIN912 M4*10 | Schraube | screw | 2 |
| 29 | 7438-00 | Winkel | square | 1 |
| 30 | 1500423 | Buchse | sleeve | 2 |
| 31 | DIN988 162601 | Scheibe | washer | 2 |
| 32 | 1100249 | Ventil | valve | 2 |
| 33 | 1400343 | Verschraubung | screw joint | 4 |
| 34 | DIN912 M4*35 | Schraube | screw | 1 |
| 35 | 7437-00 | Anschlag | impact | 2 |
| 36 | 7436-00 | Welle | shaft | 1 |
| 37 | DIN933 M4*8 | Schraube | screw | 2 |
| 38 | DIN913 M6*8 | Schraube | screw | 2 |
| 39 | 8994-00 | Bügel | stirrup | 1 |
| 40 | 1000202 | Gelenkkopf | swivel head | 1 |
| 41 | 1000148 | Befestigung | fastening | 1 |

201/6

KLAPPSTAPLER

Tafel 2



Tafel 3

UNTERRGESTELL

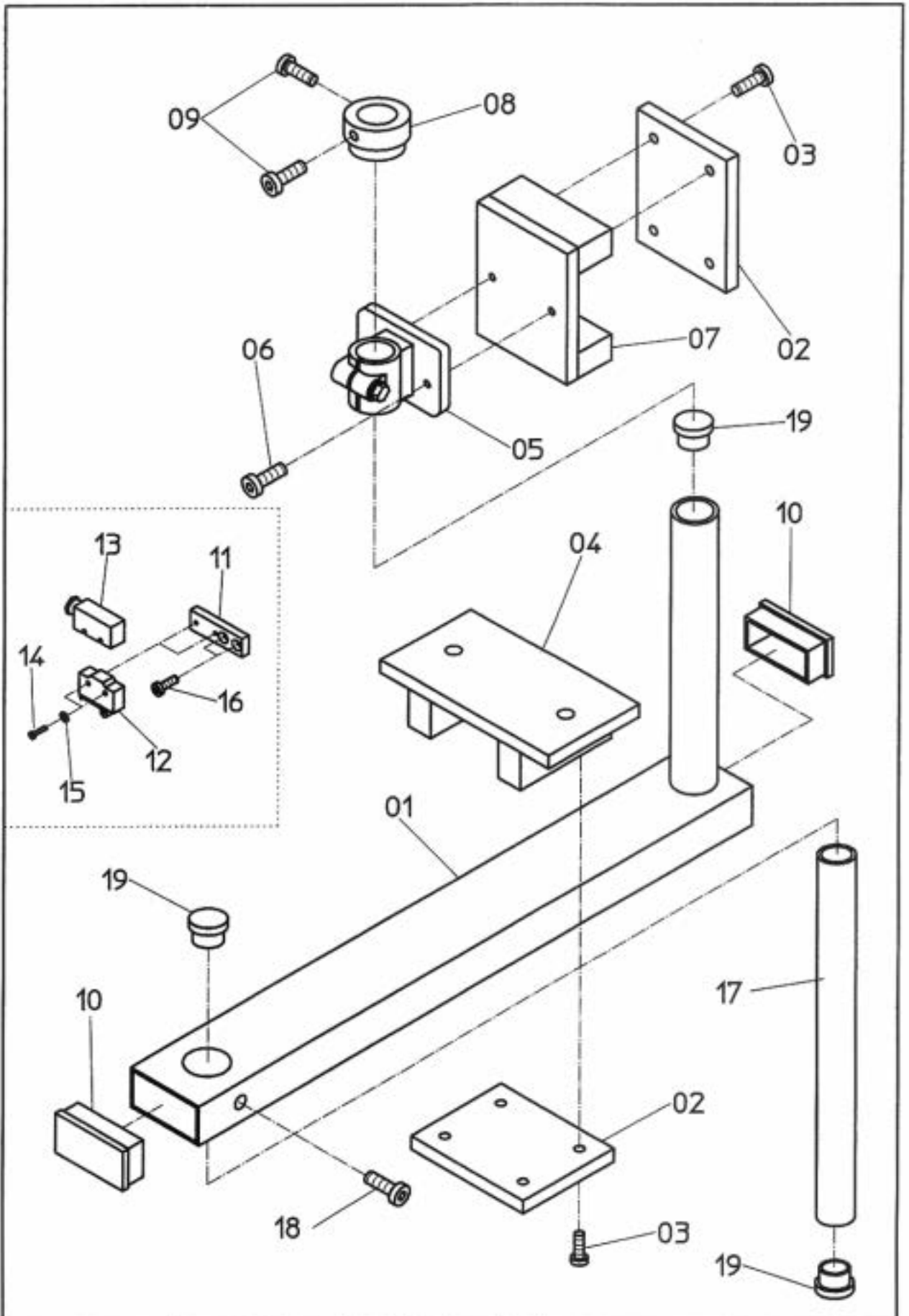
201/6/1 & 201/7/1

| NR. NO. | ARTIKEL NR: ARTICLE NO: | BEZEICHNUNG | NAME | ST. PIECE |
|------------|----------------------------|------------------|-------------------|--------------|
| 01 | 130-00 | Untergestell | base frame | 1 |
| 02 | 2500872 | Gummifuß | rubber foot | 3 |
| 03 | 51-00 | Platte | plate | 2 |
| 04 | DIN912 M6*15 | Schraube | screw | 8 |
| 05 | 131-00 | Stütze | support | 1 |
| 06 | 2600873 | Verschlußstopfen | slopper | 4 |
| 07 | 132-00 | Tischklemme | table clamp | 1 |
| 08 | 1200272.99 | Fillerregler | filler controller | 1 |
| 09 | 1100242 | Dichtung | gasket | 1 |
| 10 | 1300261 | Verschraubung | screw joint | 1 |
| 11 | 1300287 | Verschraubung | screw joint | 1 |
| 12 | DIN912 M4*8 | Schraube | screw | 2 |
| 13 | 2500900 | Fußtritteinheit | treadle unity | 1 |
| 14 | 1500389 | Winkelgelenk | pivot screw | 2 |
| 15 | DIN934 M6 | Mutter | nut | 2 |
| 16 | 143-00 | Gestänge | linkage | 2 |
| 17 | 139-00 | Schaltknocken | trip dog | 1 |
| 18 | DIN913 M4*10 | Schraube | screw | 1 |
| 19 | 1700490 | Feder | spring | 1 |
| 20 | 1100249 | Ventil | valve | 1 |
| 21 | DIN912 M3*20 | Schraube | screw | 2 |
| 22 | 1300306 | Verschraubung | screw joint | 2 |
| 23 | 1600465 | Stellring | set collar | 2 |
| 24 | 140-00 | Ventilhaller | valve holder | 1 |
| 25 | DIN933 M4*6 | Schraube | screw | 4 |
| 26 | 138-00 | Klemmhülse | clamp collar | 1 |
| 27 | DIN913 M4*4 | Schraube | screw | 2 |
| 28 | 1400372 | Schlauchnippel | tube connector | 1 |
| 29 | 1400373 | Schlauchklemme | tube clamp | 1 |
| 30 | 1400363 | Stecknippel | male coupling | 1 |

201/6/1 & 201/7/1

UNTERGESTELL

Tafel 3



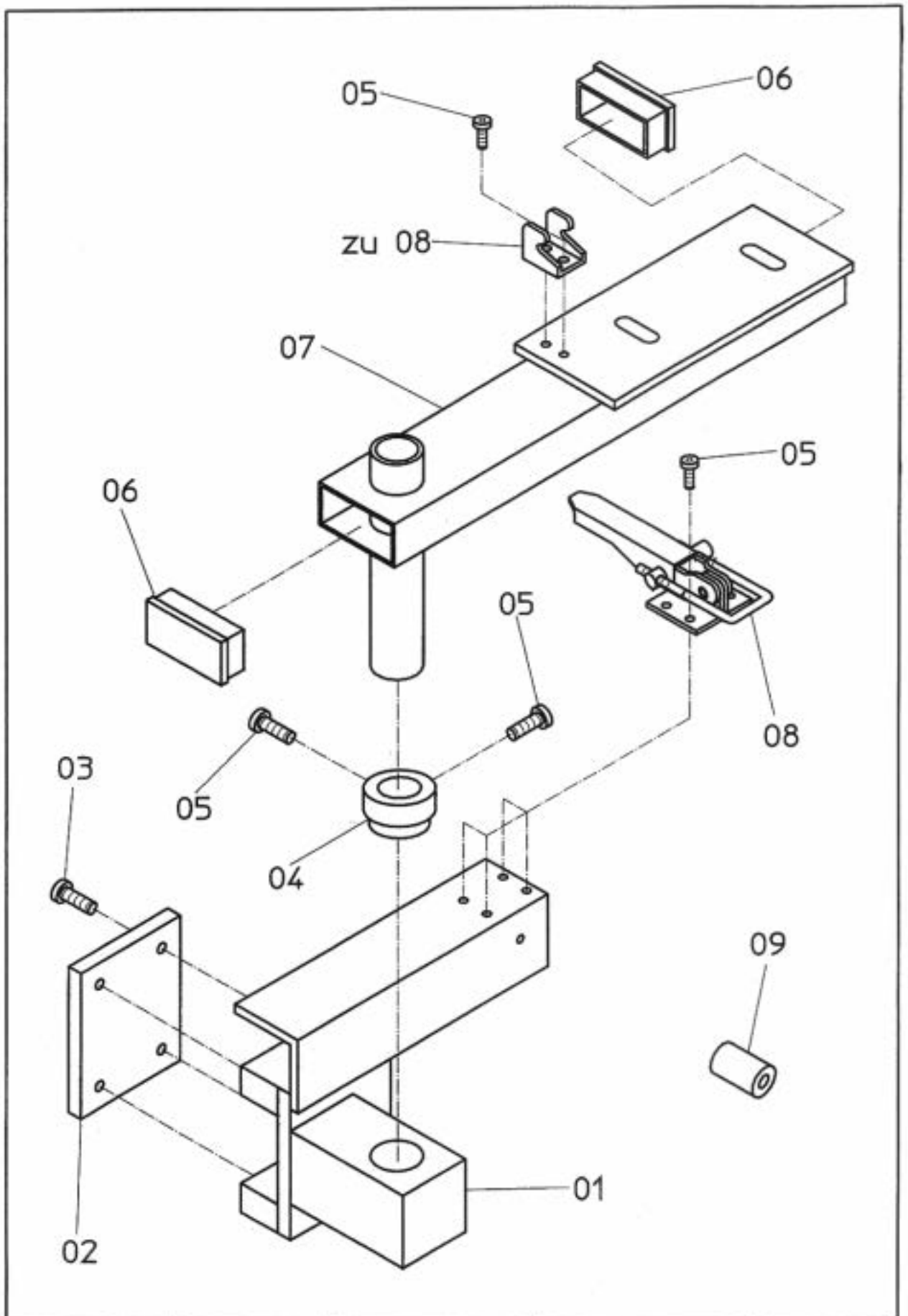
Tafel 4

STAPLERBEFESTIGUNG

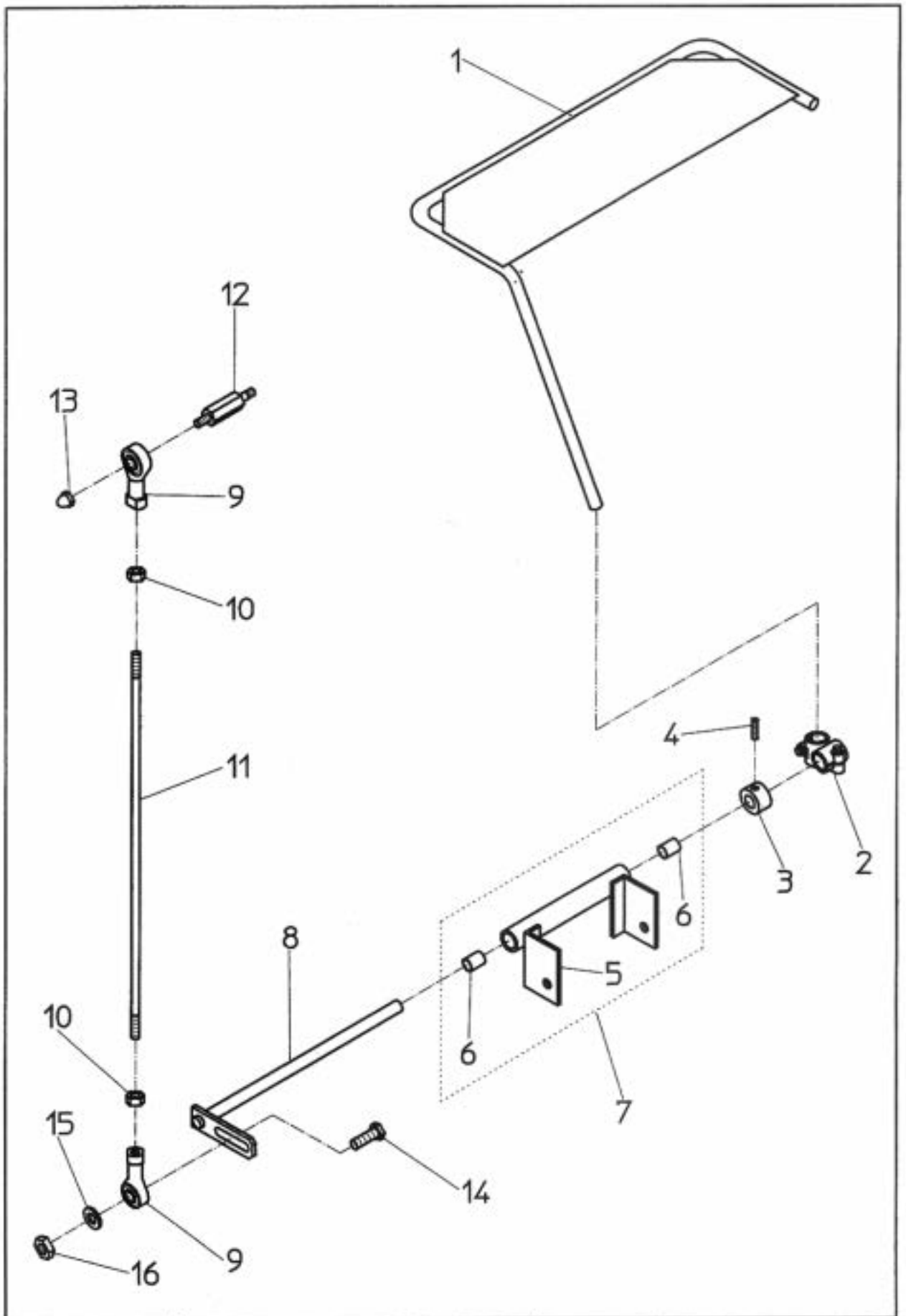
201/6/2 & 201/7/2

| NR. NO. | ARTIKEL NR: ARTICLE NO: | BEZEICHNUNG | NAME | ST. PIECE |
|------------|----------------------------|-------------------|--------------|--------------|
| 01 | 2313-00 | Befestigung | fastening | 1 |
| 02 | 51-00 | Platte | plate | 2 |
| 03 | DIN912 M6*20 | Schraube | screw | 8 |
| 04 | 8986-00 | Klemme | clamp | 1 |
| 05 | 1600439 | Klemme | clamp | 1 |
| 06 | DIN912 M6*15 | Schraube | screw | 2 |
| 07 | 6661-00 | Klemme | clamp | 1 |
| 08 | 5770-00 | Stellring | set collar | 1 |
| 09 | DIN912 M6*10 | Schraube | screw | 2 |
| 10 | 2500873 | Verschlussstopfen | stopper | 2 |
| 11 | 8987-00 | Halter | holder | 1 |
| 12 | 2000550 | Mikroschalter | micro switch | 1 |
| 13 | 2000563 | Abdeckkappe | cover | 1 |
| 14 | DIN912 M3*18 | Schraube | screw | 2 |
| 15 | DIN125 A03.2 | Scheibe | washer | 2 |
| 16 | DIN912 M4*5 | Schraube | screw | 2 |
| 17 | 7889-00 | Rohr | pipe | 1 |
| 18 | DIN912 M6*18 | Schraube | screw | 1 |
| 19 | 2500877-02 | Verschlussstopfen | stopper | 3 |

| | | |
|-------------------|--------------------|---------|
| 201/6/2 & 201/7/2 | STAPLERBEFESTIGUNG | Tafel 4 |
|-------------------|--------------------|---------|



| NR. NO. | ARTIKEL NR: ARTICLE NO: | BEZEICHNUNG | NAME | ST. PIECE |
|-------------------|----------------------------|--------------------|----------------|--------------|
| 01 | 8659-00 | Staplerklemme | stapler clamp | 1 |
| 02 | 51-00 | Platte | plate | 1 |
| 03 | DIN912 M6x20 | Schraube | screw | 4 |
| 04 | 5770-00 | Stellring | set collar | 1 |
| 05 | DIN912 M6x10 | Schraube | screw | 8 |
| 06 | 2500873 | Verschlussstopfen | slopper | 2 |
| 07 | 8658-00 | Befestigung | fastening | 1 |
| 08 | 1600514 | Schnellverschluss | quick fastener | 1 |
| 09 | 9116-00 | Distanzrolle | spacer | 1 |
| 201/6/3 & 201/7/3 | | STAPLERBEFESTIGUNG | | Tafel 5 |



| | | |
|---------|------------------|---------------|
| Tafel 6 | OPTION: ABWEISER | 201/6 & 201/7 |
|---------|------------------|---------------|

| NR. NO. | ARTIKEL NR: ARTICLE NO: | BEZEICHNUNG | NAME | ST. PIECE |
|------------|----------------------------|-----------------|-----------------|--------------|
| 01 | 9049-00 | Abweiser | deflector | 1 |
| 02 | 1600436 | Klemme | clamp | 1 |
| 03 | 1600462 | Stellring | set collar | 1 |
| 04 | DIN913 M6*8 | Schraube | screw | 1 |
| 05 | 9048-00 | Halter | holder | 1 |
| 06 | 1500439 | Buchse | sleeve | 2 |
| 07 | 91.9048-00 | Halter komplett | holder complete | 1 |
| 08 | 9046-00 | Halter | holder | 1 |
| 09 | 1000202 | Gelenkkopf | swivel head | 2 |
| 10 | DIN934 M10*1,25 | Mutter | nut | 2 |
| 11 | 9047-00 | Gewindestange | hread bar | 1 |
| 12 | 9045-00 | Stehbolzen | stay bolt | 1 |
| 13 | DIN1587 M10 | Hulmutter | cup nut | 1 |
| 14 | DIN933 M10*30 | Schraube | screw | 1 |
| 15 | DIN125 A010,5 | Scheibe | washer | 1 |
| 16 | DIN934 M10 | Mutter | nut | 1 |

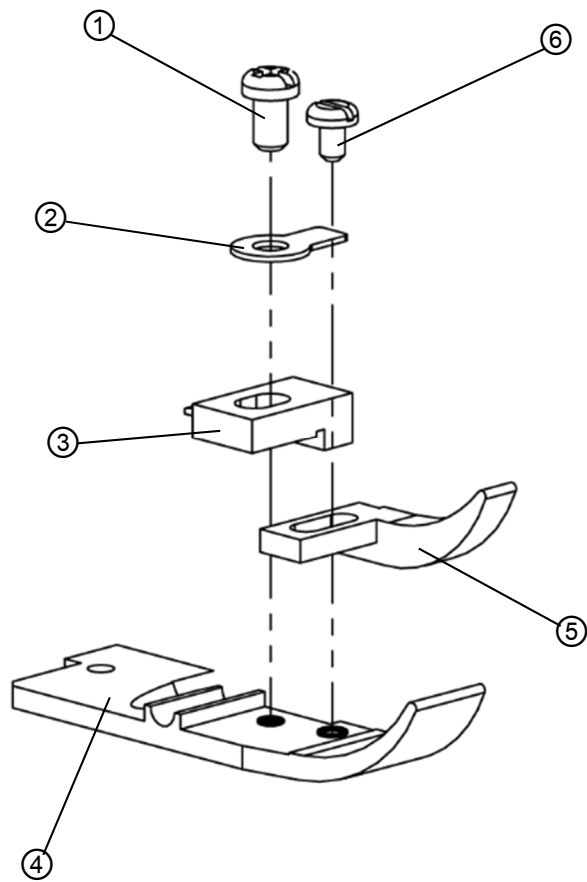
201/6/2 & 201/7/2

OPTION: ABWEISER

Tafel 6

| E-Nr. E-No. | Für Unterklassen/For subclasses Verwendungszweck/Use | Teilenummer/Part number | Nähfuß/Sewing foot ④ | Stoffwinkel/Material square ⑤ | Kettelzunge/Chain tongue ③ | Blattfeder/Leaf spring ② | Schraube/Screw ① | Schraube/Screw ⑥ | Stichplatter/Throat plate [mm] |
|----------------|--|-------------------------|----------------------|-------------------------------|----------------------------|--------------------------|------------------|------------------|--------------------------------|
| E1 | 1970 991073; 1970 991074 Nähgarnitur für Nahtbild 503, 2-fädig, 1-Nadel, Nahtbreite 6 mm Sewing set for seam pattern 503, 2 threads, 1-needle, seam width 6 mm | 1970 598004 | B004758.00 | B002946.00 | B006141.00 | B3300039.00 | B3300219.00 | B3300223.00 | B3301751.00 |
| E2 | 1970 991073; 1970 991074 Nähgarnitur für Nahtbild 504, 3-fädig, 1-Nadel, Nahtbreite 6 mm Sewing set for seam pattern 504, 3 threads, 1-needle, seam width 6 mm | 1970 598014 | B004758.00 | B002946.00 | B006141.00 | B3300039.00 | B3300219.00 | B3300223.00 | B3301751.00 |
| E3 | 1970 991073; 1970 991074 Nähgarnitur für Nahtbild 503, 2-fädig, 1-Nadel, Nahtbreite 5 mm Sewing set for seam pattern 503, 2 threads, 1-needle, seam width 5 mm | 1970 598024 | B004758.00 | B002946.00 | B006141.00 | B3300039.00 | B3300219.00 | B3300223.00 | B3301751.01 |
| E4 | 1970 991073; 1970 991074 Nähgarnitur für Nahtbild 504, 3-fädig, 1-Nadel, Nahtbreite 5 mm Sewing set for seam pattern 504, 3 threads, 1-needle, seam width 5 mm | 1970 598034 | B004758.00 | B002946.00 | B006141.00 | B3300039.00 | B3300219.00 | B3300223.00 | B3301751.01 |
| E5 | 1970 991073; 1970 991074 Nähgarnitur für Nahtbild 503, 2-fädig, 1-Nadel, Nahtbreite 4 mm Sewing set for seam pattern 503, 2 threads, 1-needle, seam width 4 mm | 1970 598044 | B004758.00 | B002946.00 | B006141.00 | B3300039.00 | B3300219.00 | B3300223.00 | B3301751.03 |
| E6 | 1970 991073; 1970 991074 Nähgarnitur für Nahtbild 504, 3-fädig, 1-Nadel, Nahtbreite 4 mm Sewing set for seam pattern 504, 3 threads, 1-needle, seam width 4 mm | 1970 598054 | B004758.00 | B002946.00 | B006141.00 | B3300039.00 | B3300219.00 | B3300223.00 | B3301751.03 |

B3300316.00

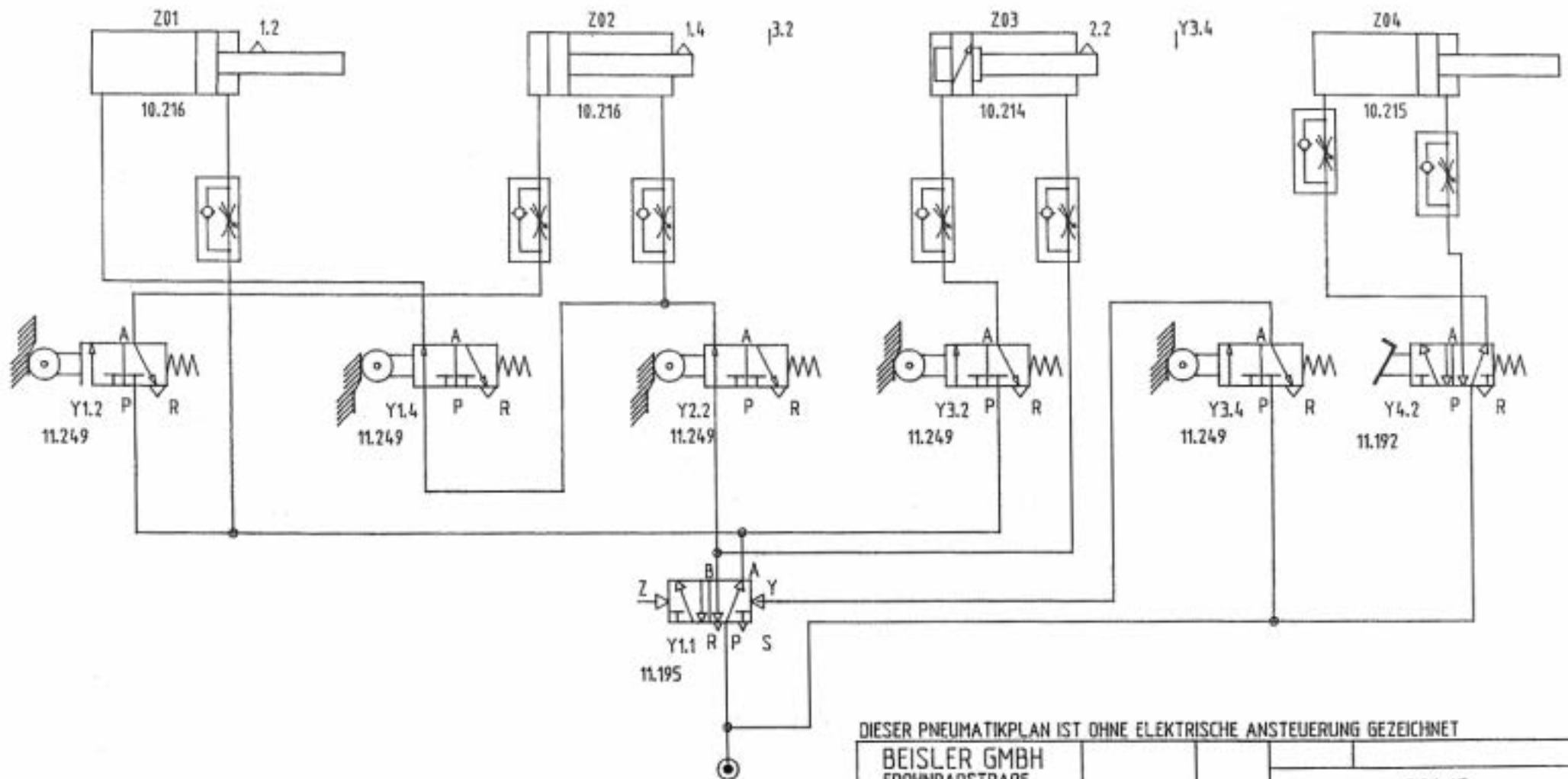


SCHWENKBÜGEL

KLEMMBÜGEL

ÜBERWURFBÜGEL

ABLAGEBÜGEL



DIESER PNEUMATIKPLAN IST OHNE ELEKTRISCHE ANSTEUERUNG GEZEICHNET

| | | | |
|---|----------|--------------------|--|
| BEISLER GMBH FROHNRADSTRASSE 8759 HÜSBACH | | 201/5 | |
| 1991 | DATEI | NAME | |
| GEARB. | 16.10. | BEISLER | |
| GEPR. | | | |
| KORR. | | | |
| | | PNEUMATIKSCHALTPLA | |
| | | 44.00201 050001 | |
| Umsatzsteuer | 21.12.91 | 10. | |



DÜRKOPP ADLER AG

Potsdamer Straße 190

33719 Bielefeld

GERMANY

Phone +49 (0) 521 / 925-00

E-Mail service@duerkopp-adler.com

www.duerkopp-adler.com