



零件列表

Parts List

69-373-01

69-373 H-01

Parts List and Sewing Equipment

零件样本和缝纫附件

69-373-01

69-373 H-01

Table of contents	Table / 图表	目录
-------------------	------------	----

Arm shaft, Handwheel	1	上轴, 手轮
Bevel gears	2	伞齿轮
Upper feed, Needle bar	3	上送料, 针杆
Presser bar, Foot bar	4	压杆, 压脚杆
Stitch regulator	5	针距调节机构
Lifter lever	6	抬压脚机构
Hook, Hook shaft	7	旋梭, 旋梭轴
Thread tension	8	夹线器
Arm, Face cover	9	机壳, 面板
Feed lever, Base plate	10	下送料机构, 机座
Hook shaft, Feed lever, Base plate for 69-373 H-01	11	69-373H-01旋梭轴, 下送料机构, 机座
Sewing lamp, Transformer	12	缝纫灯和变压器
Stand, Table top	13, 14	机架, 台板
Sewing motor	15	缝纫机电机
Accessories	16, 17	附件盒

Sewing equipment

缝纫附件

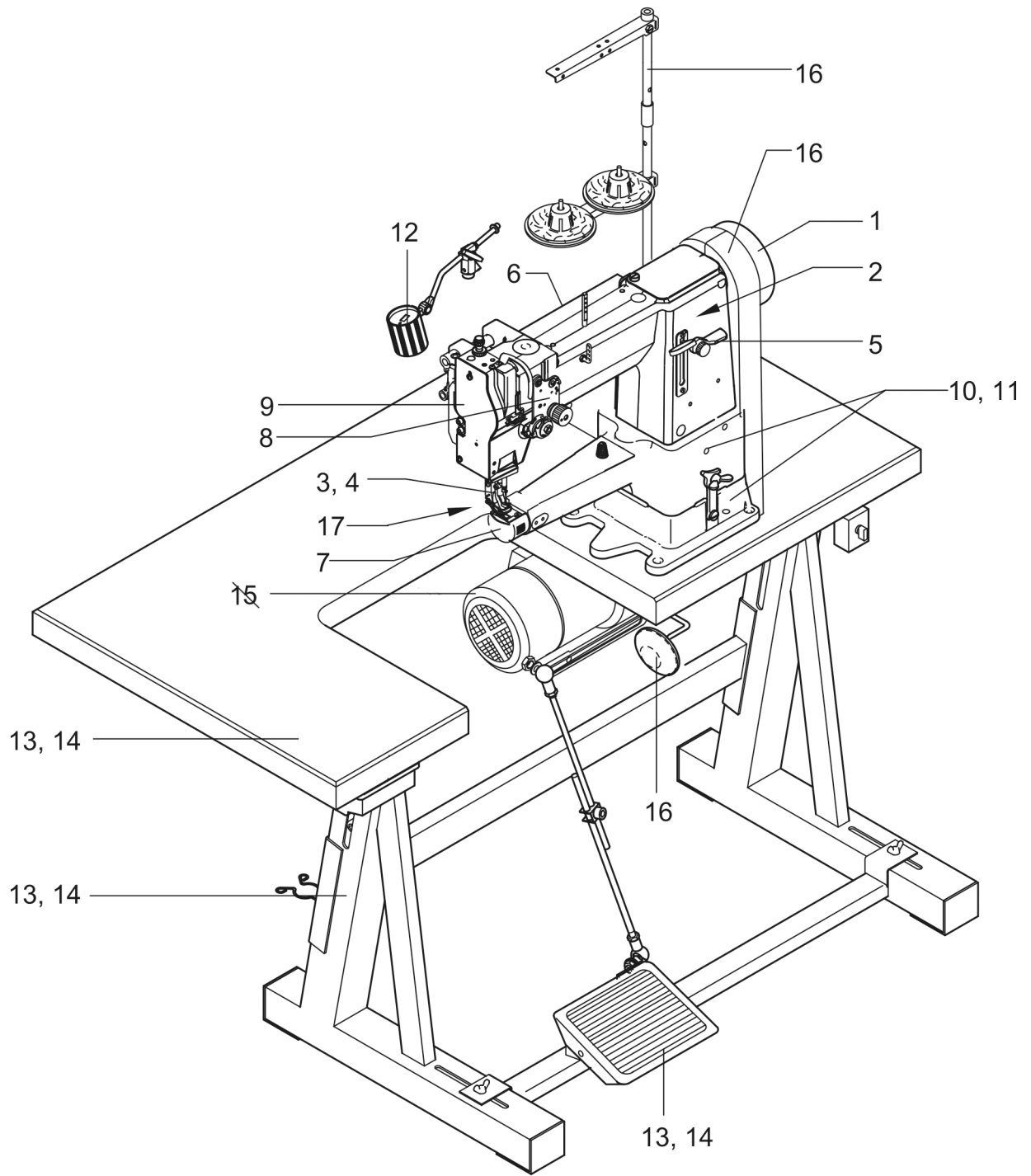
All rights reserved.

Property of Dürkopp Adler and copyrighted. Reproduction or publication of the content in any manner, even in extracts, without prior written permission of Dürkopp Adler, is prohibited.

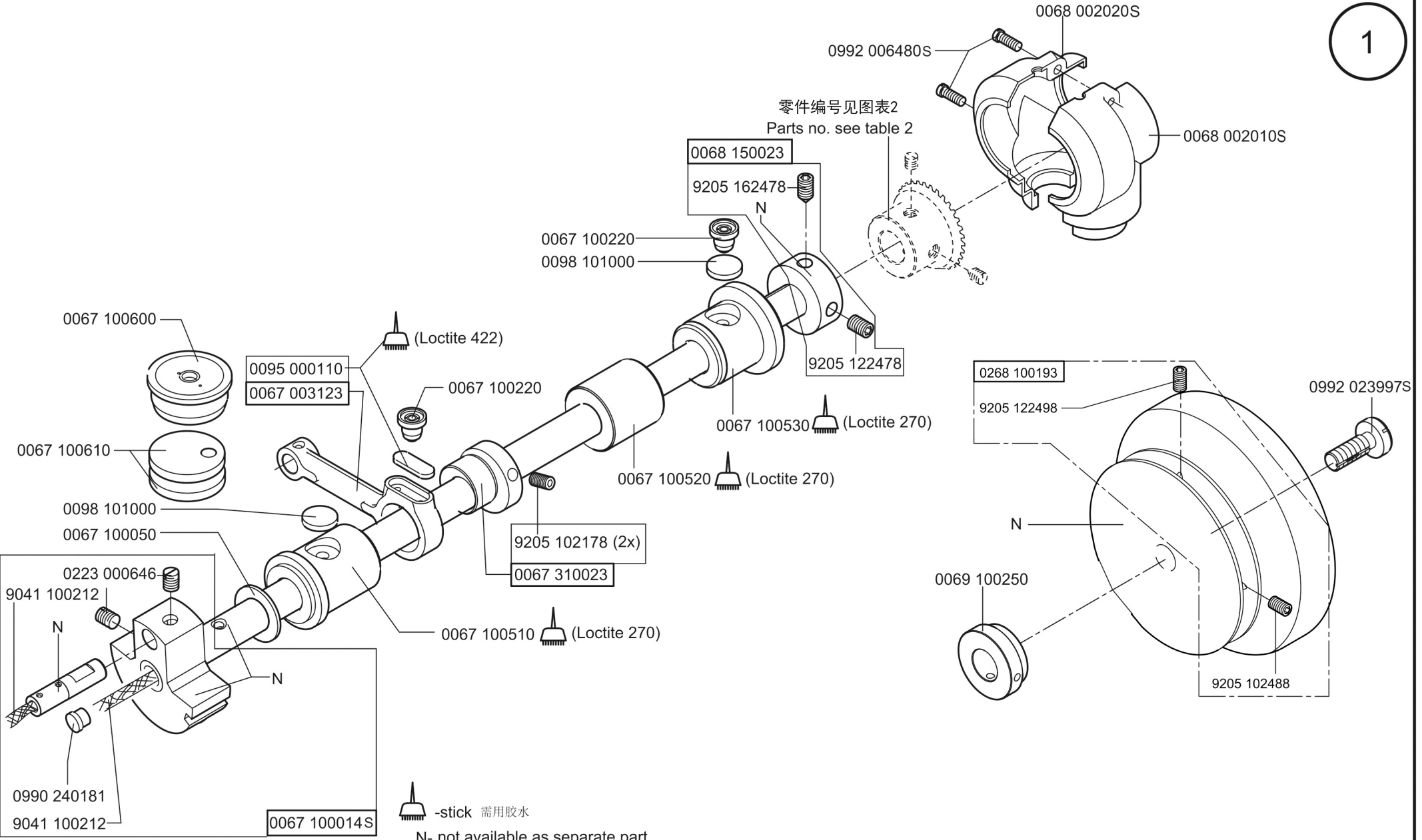
版权所有, 不许翻印

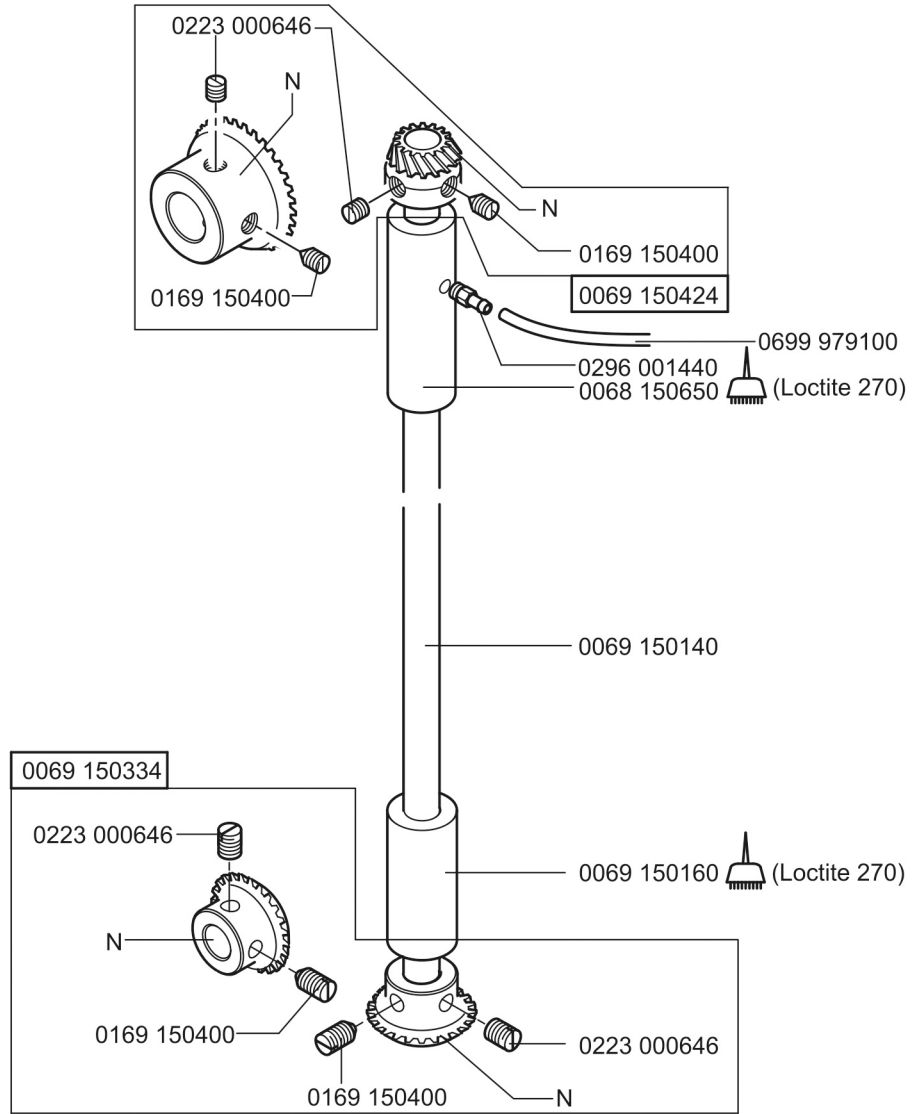
版权和产权归杜克普爱华股份公司所有。未经杜克普爱华股份公司书面许可, 禁止以任何方式翻印或复印本内容, 包括摘要。

Copyright © Dürkopp Adler - 2019

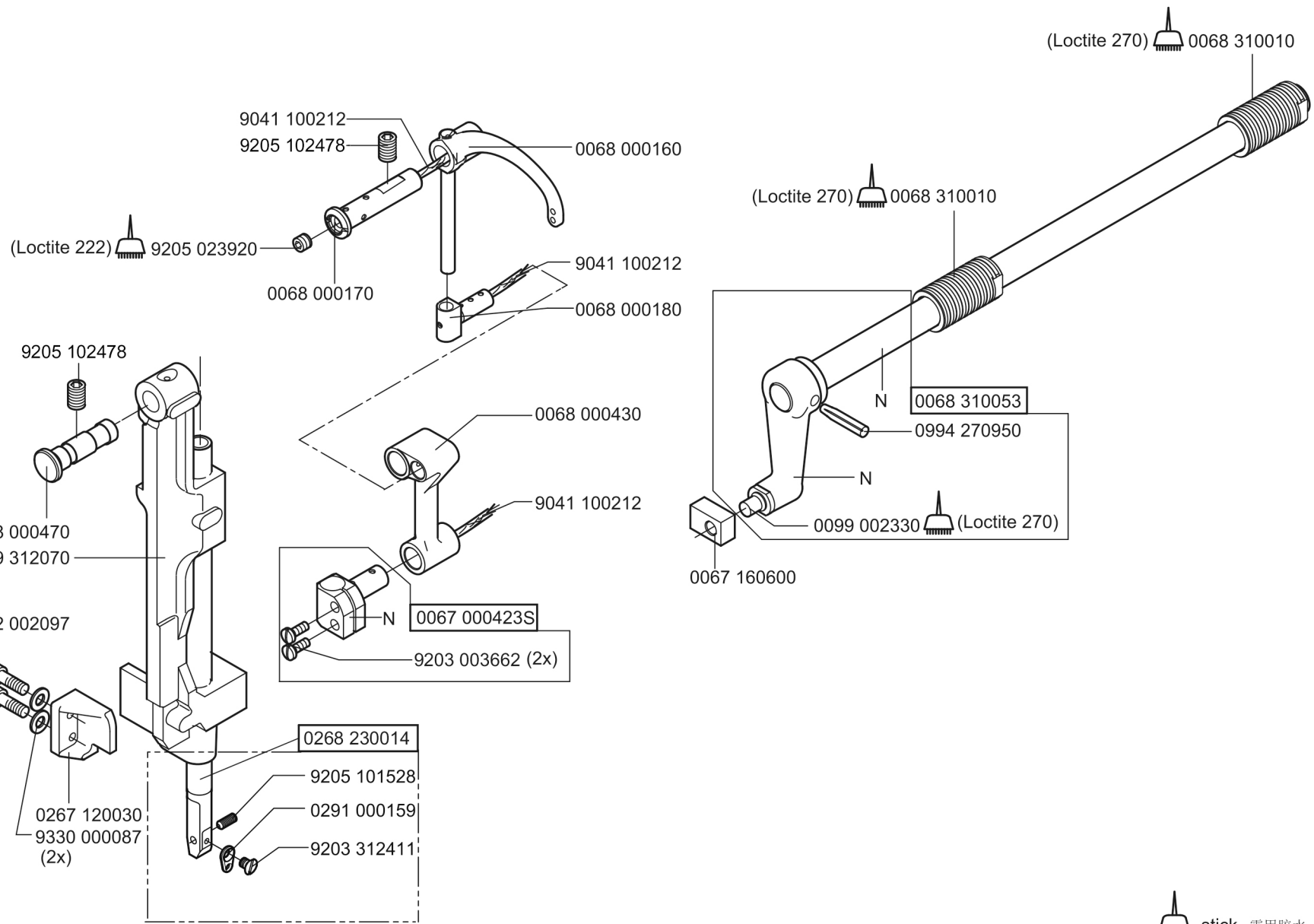



零件编号见图表2
Parts no. see table 2

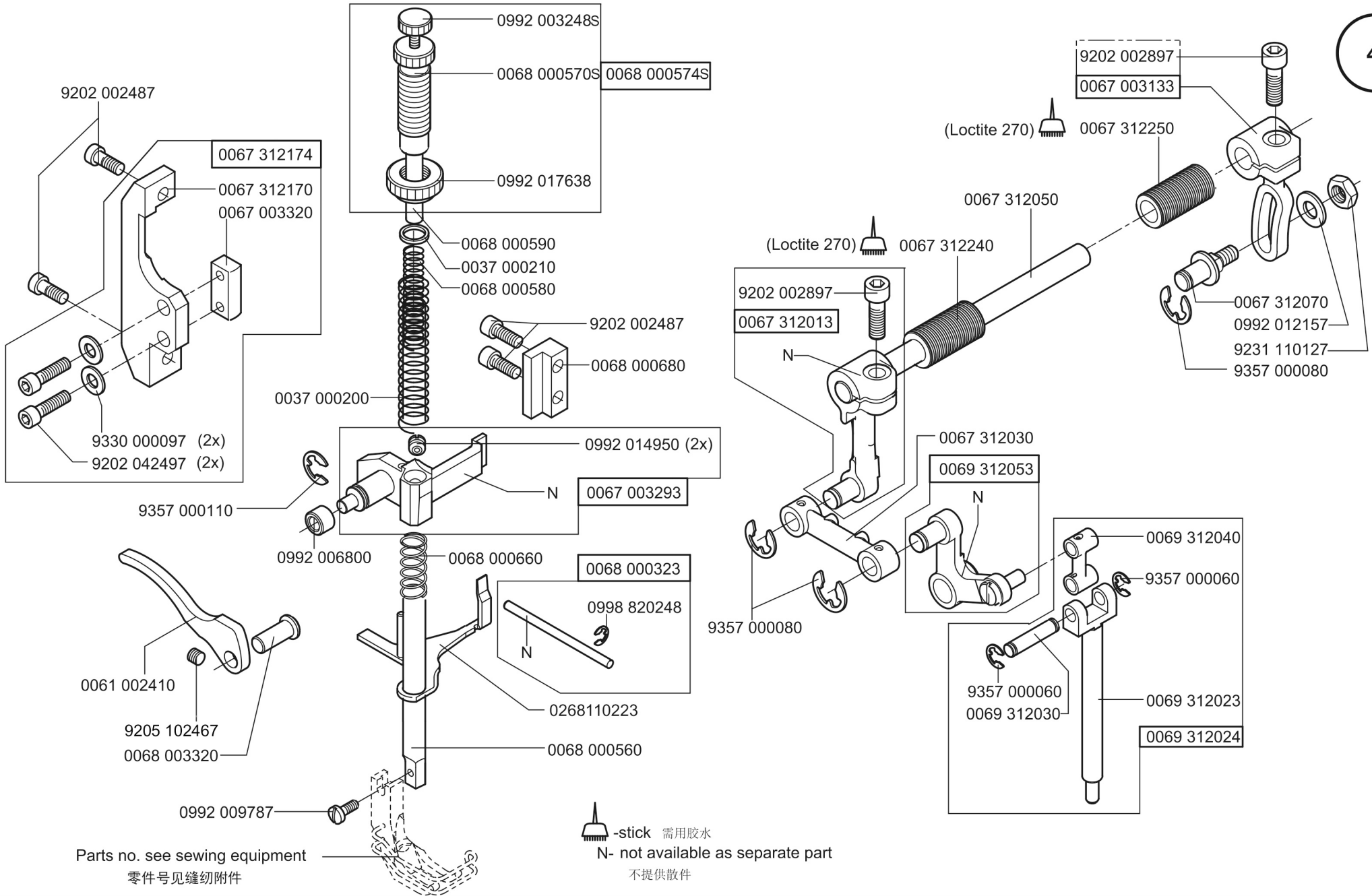


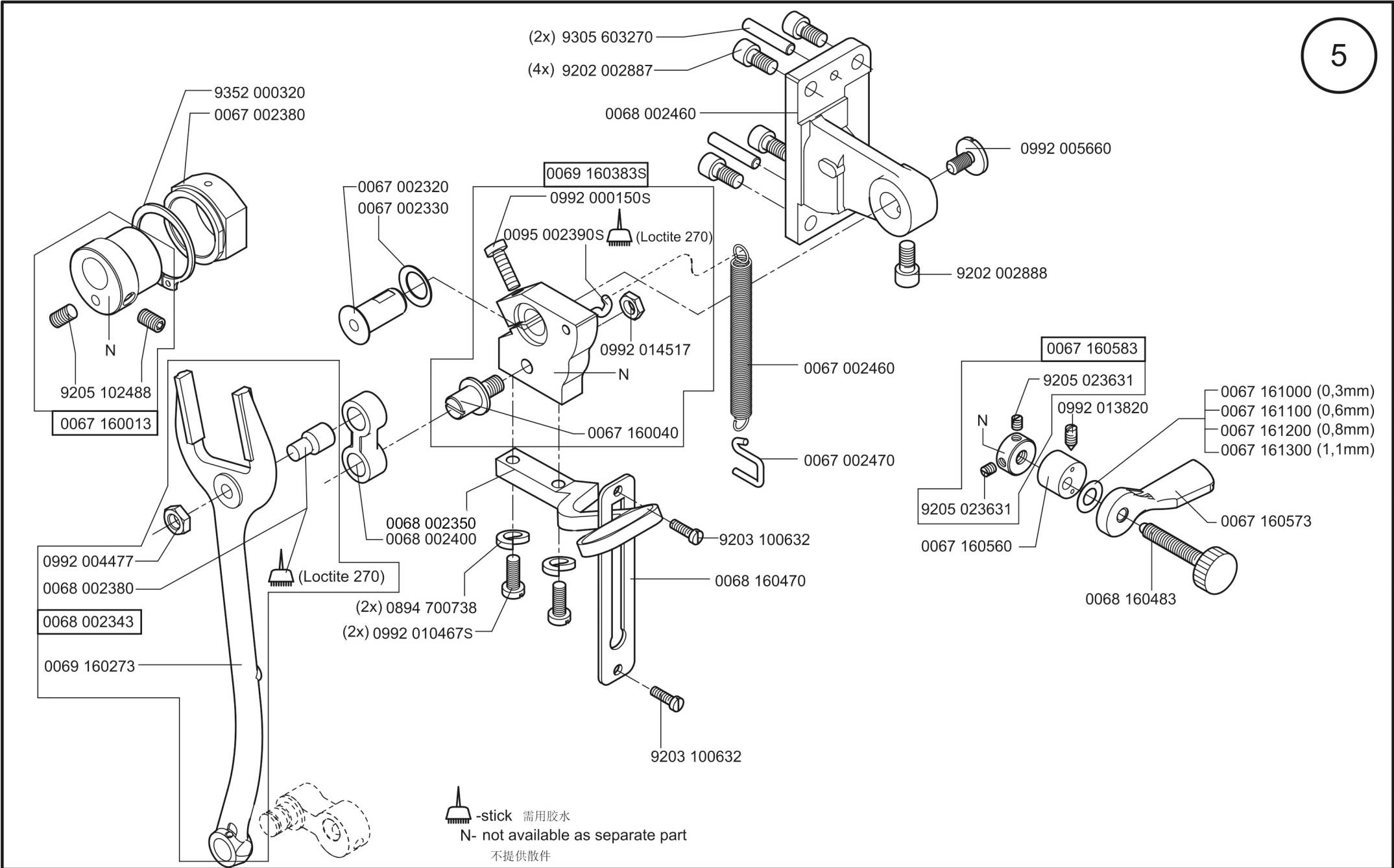


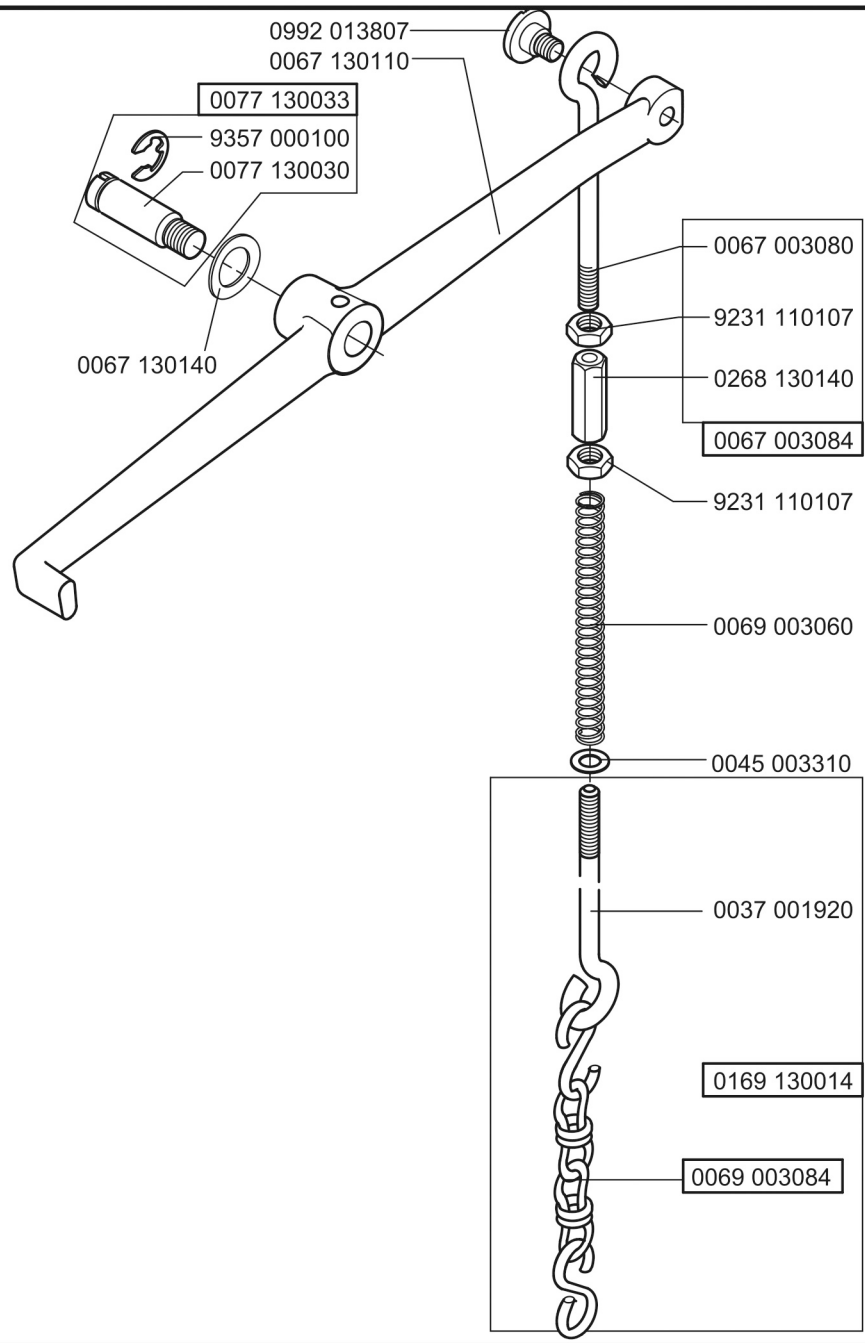
N- not available as separate part
不提供散件

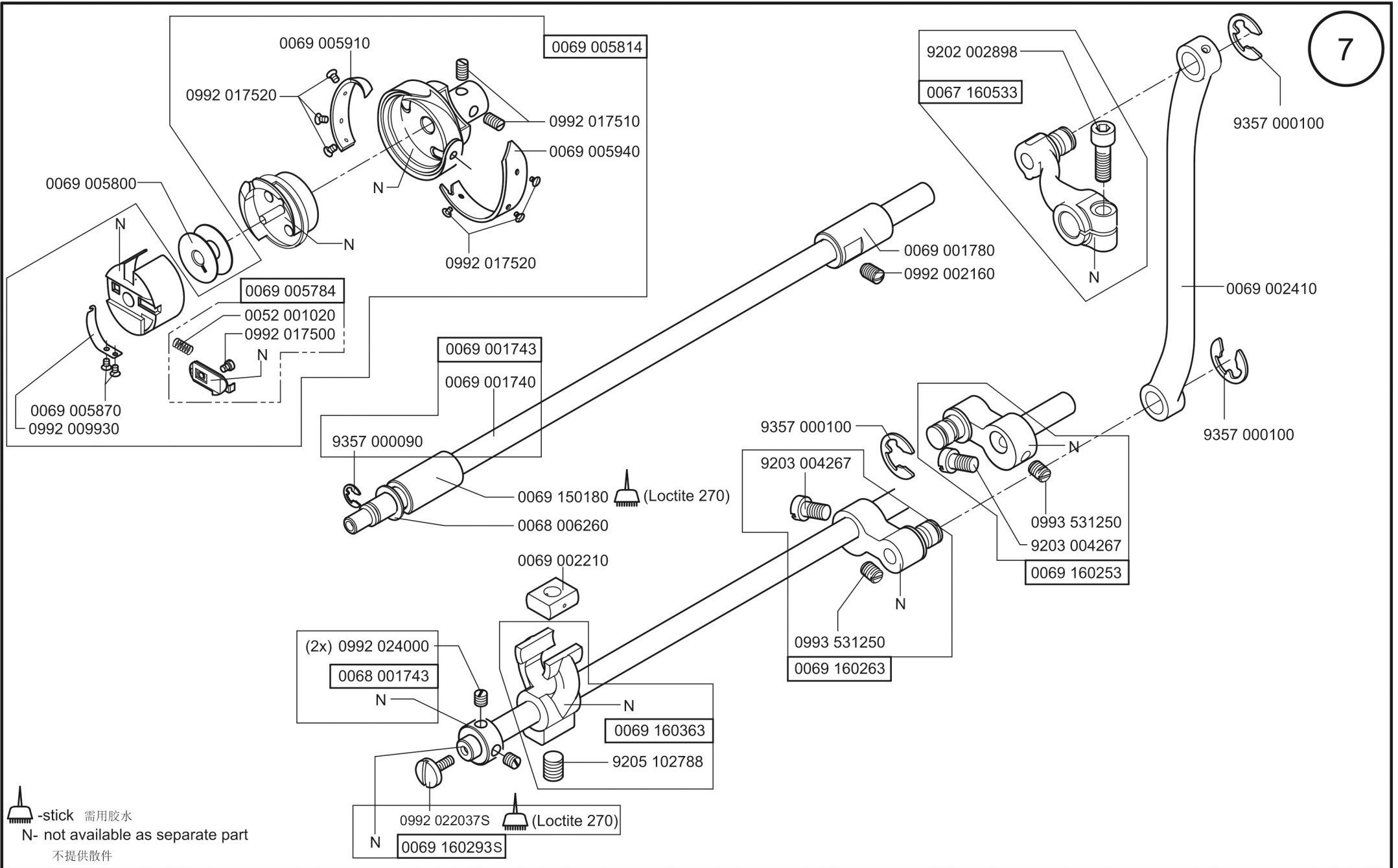


 -stick 需用胶水
 N- not available as separate part
 不提供散件



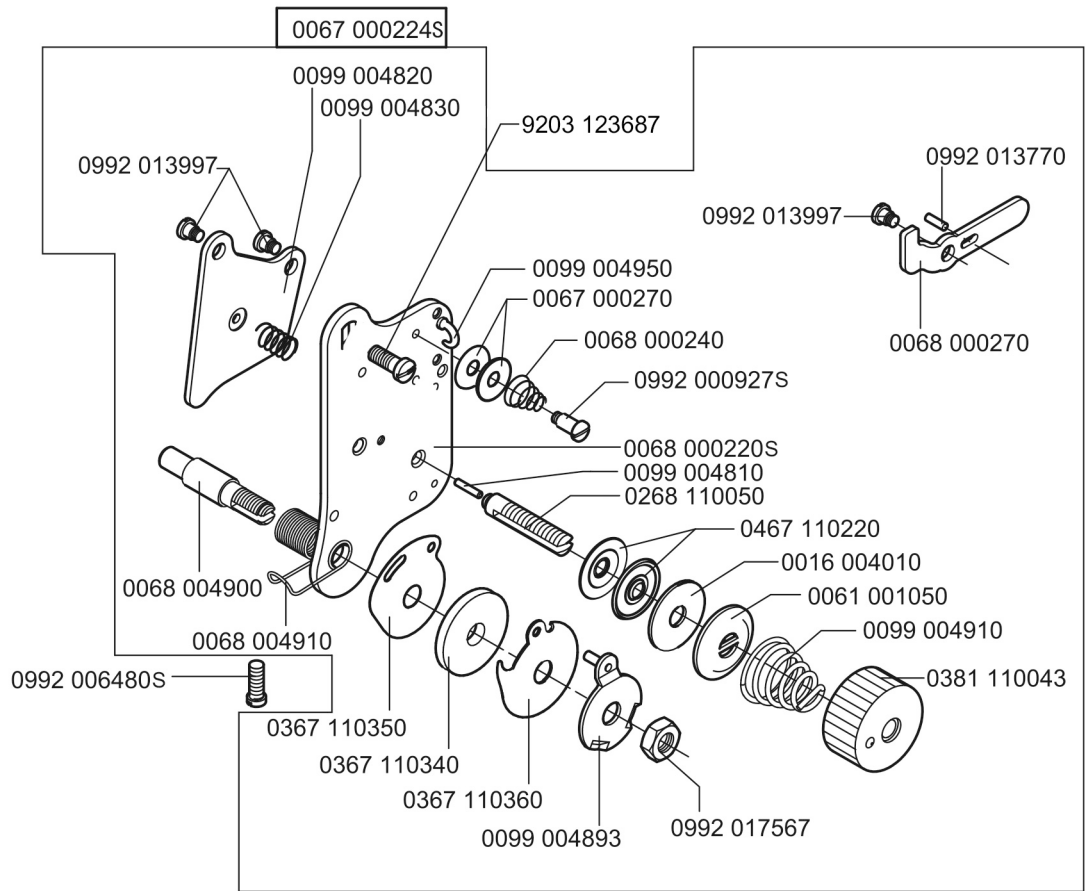
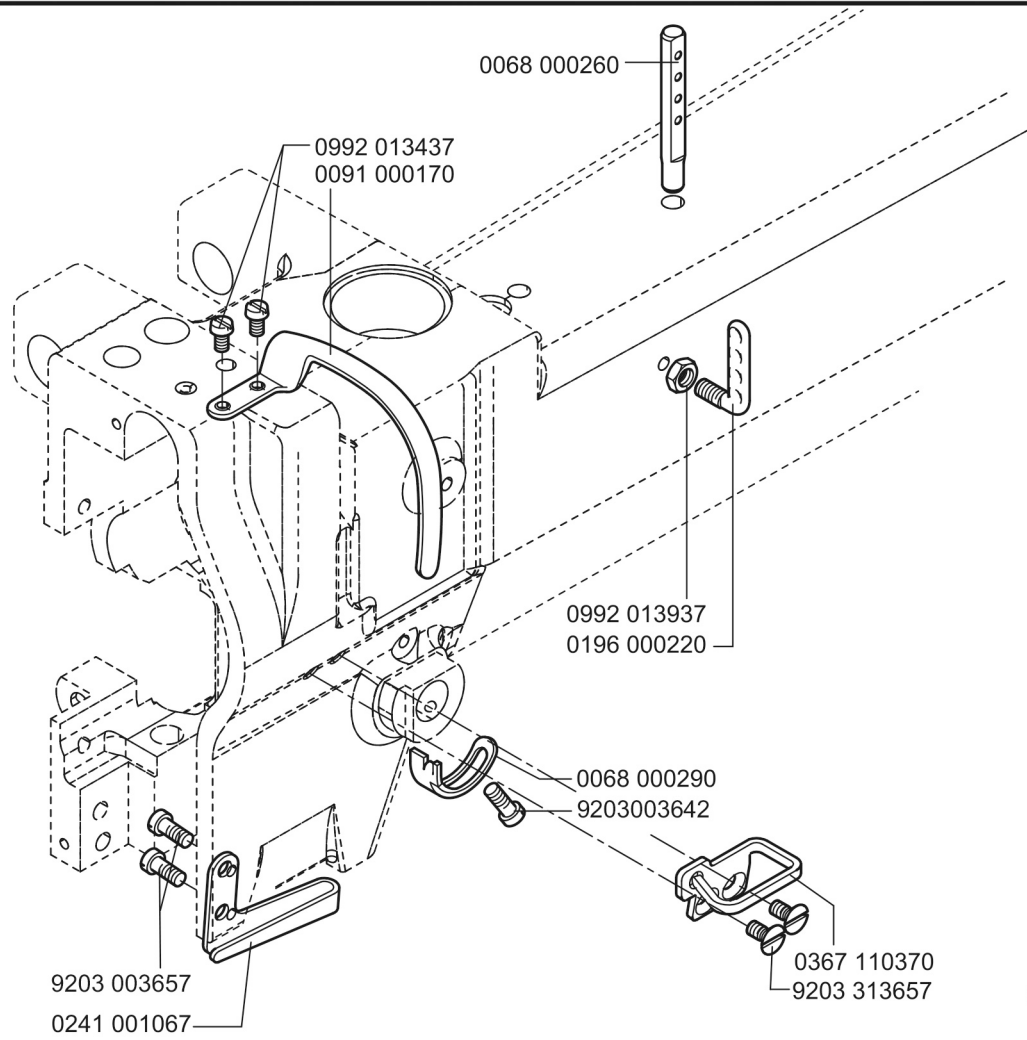


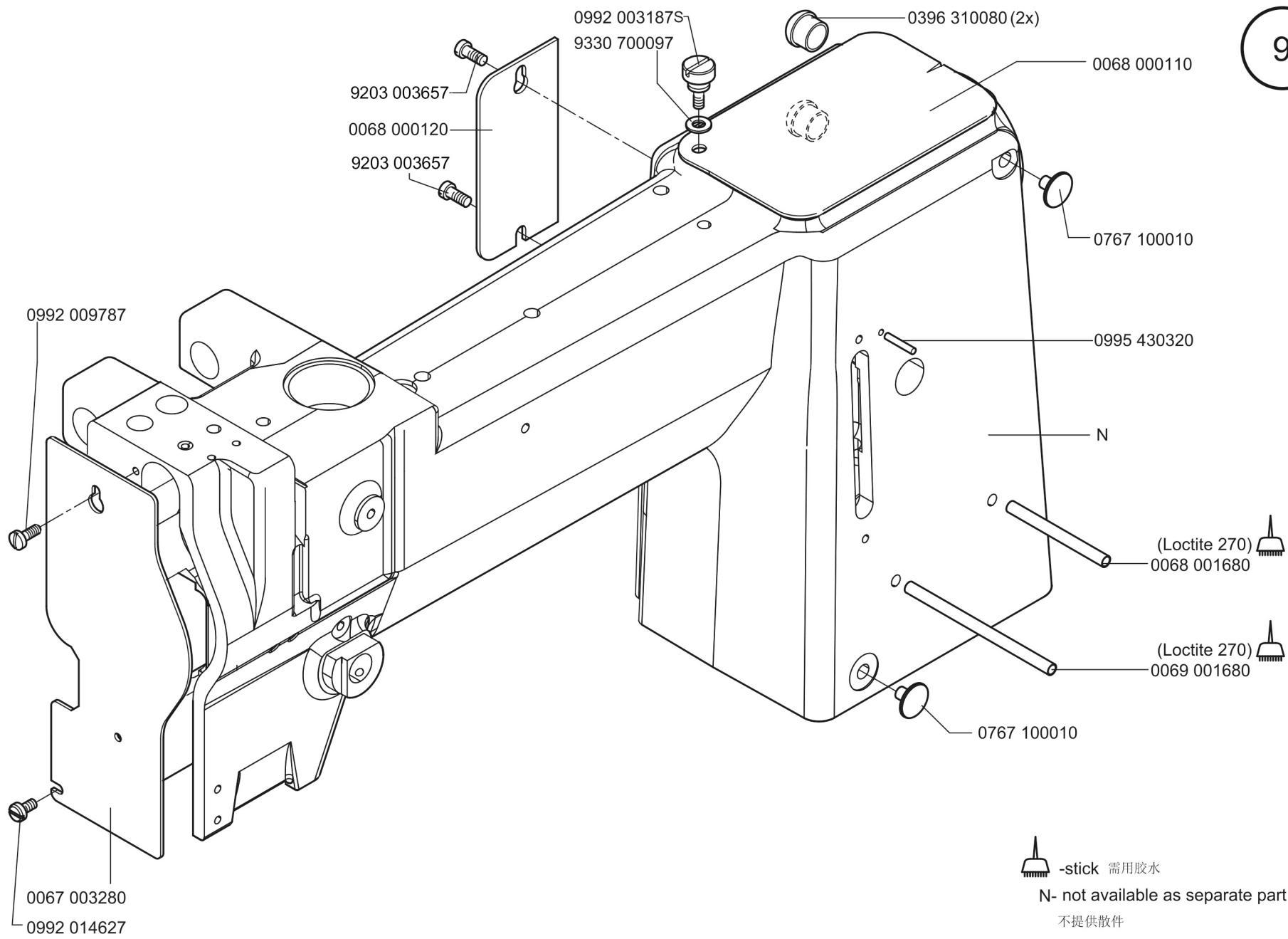


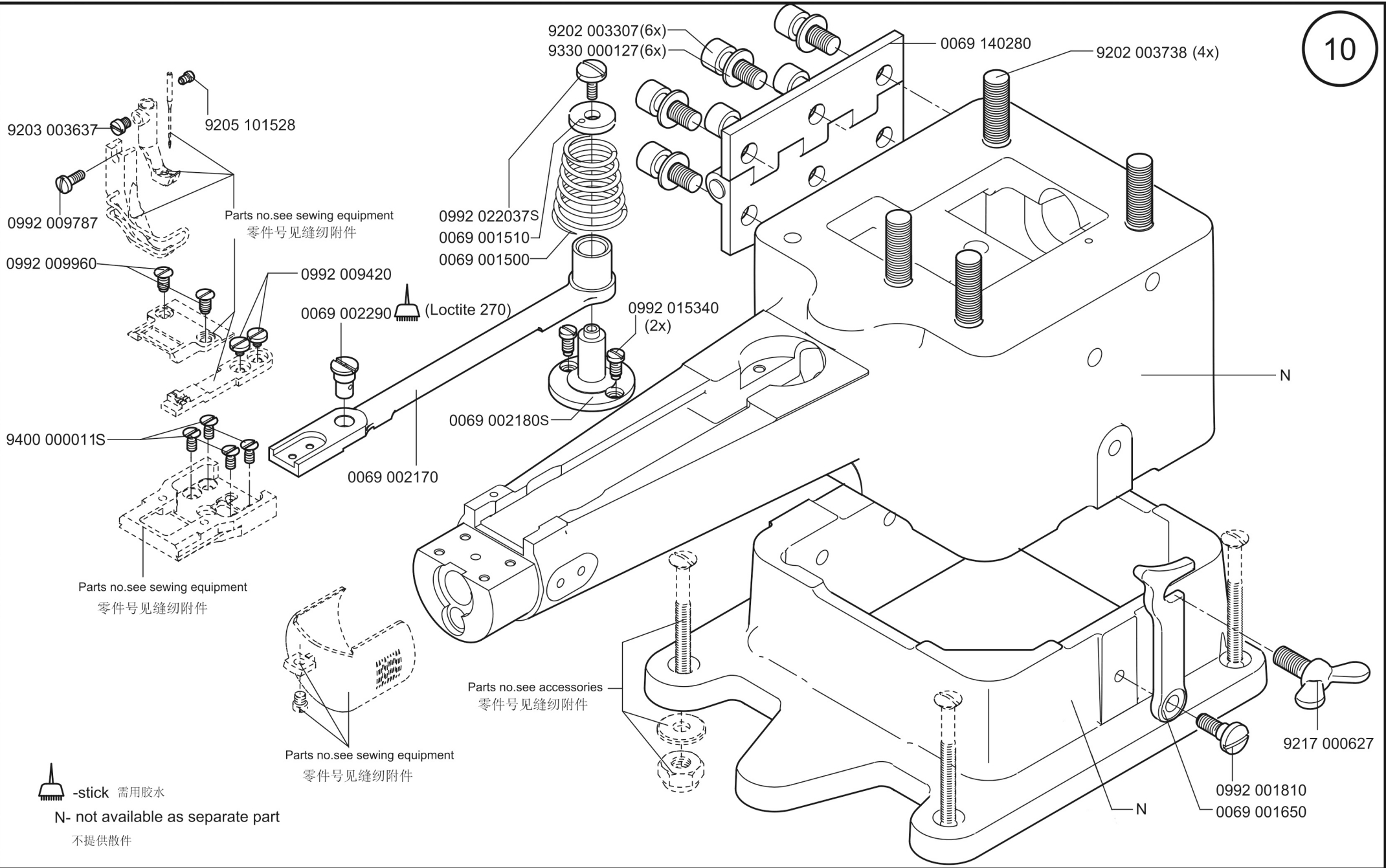


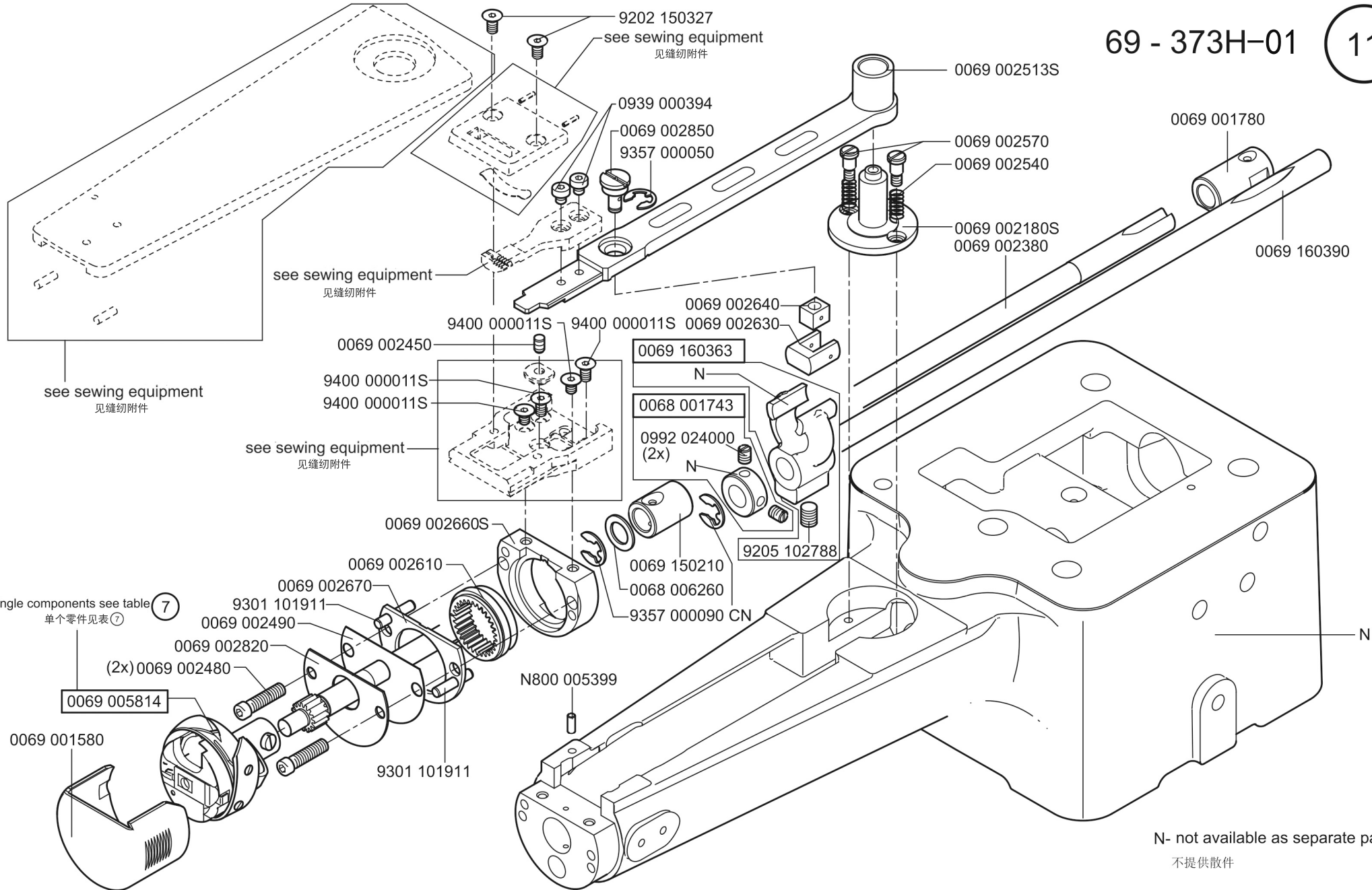
 -stick 需用胶水
N- not available as separate part
不提供散件

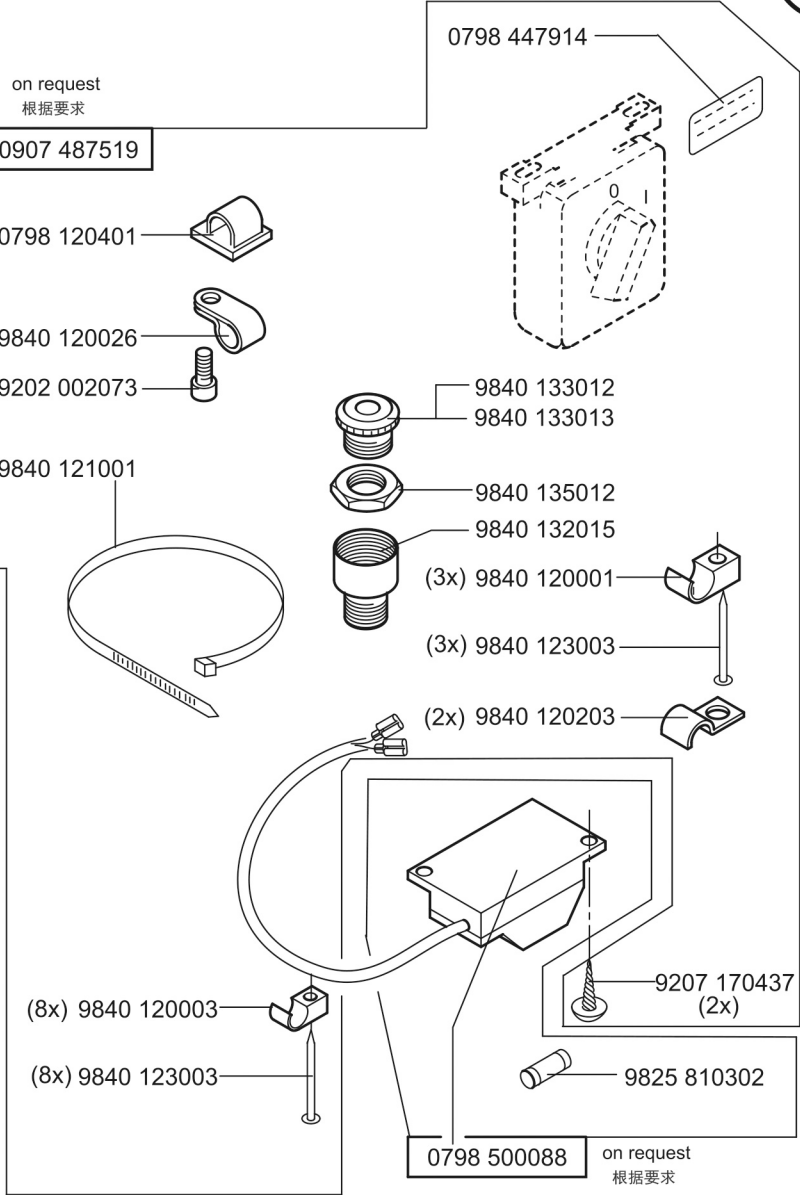
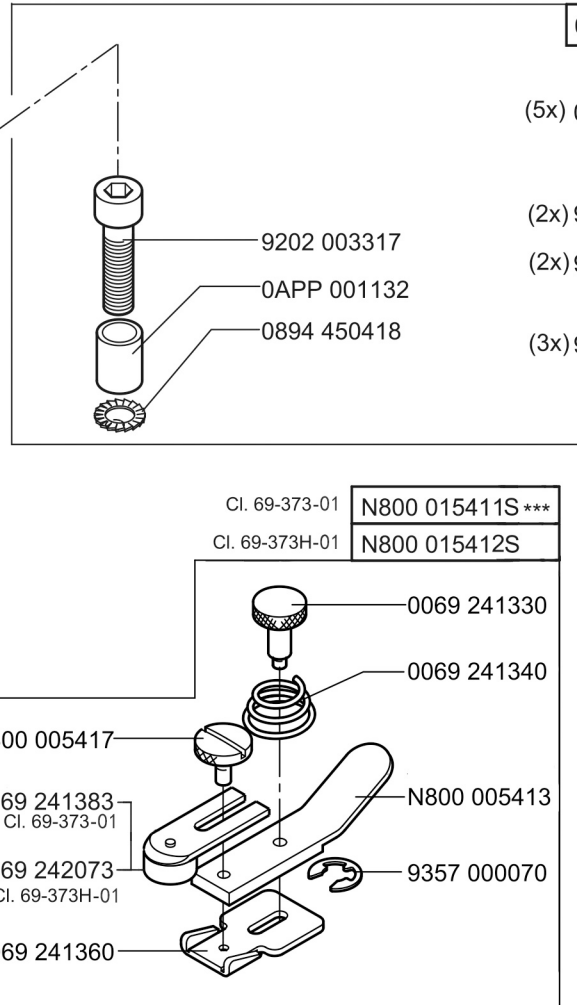
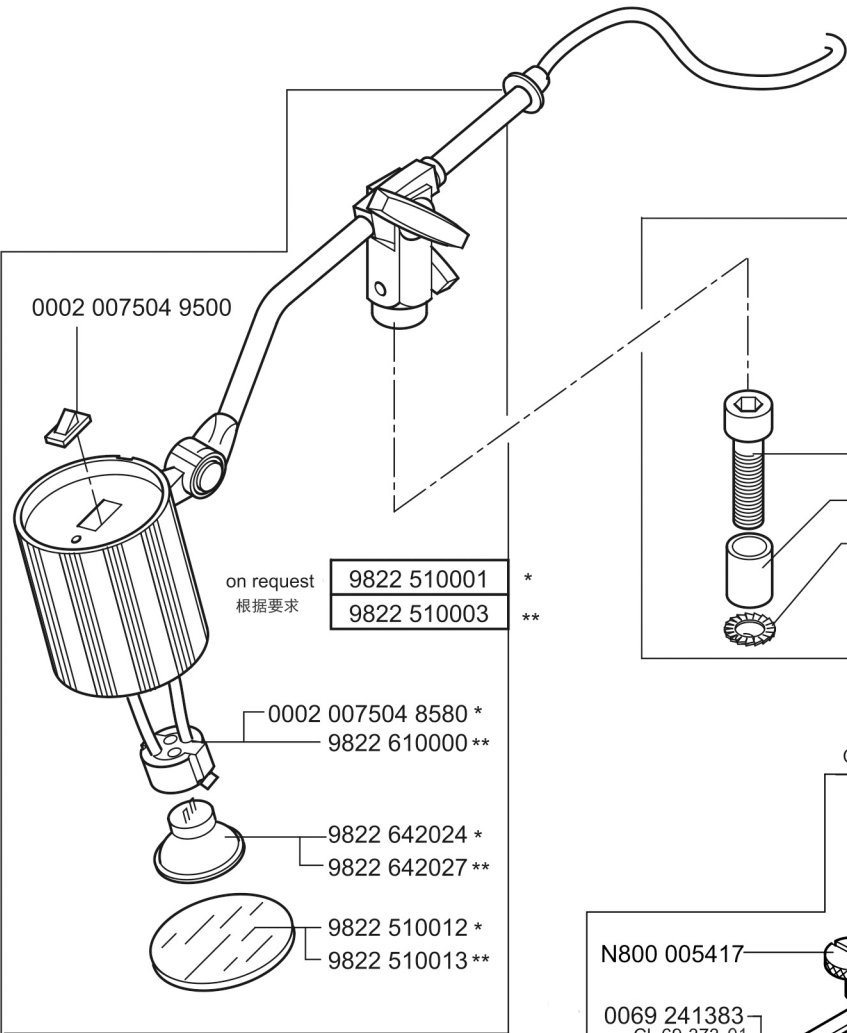
Scale / 比例 50 %



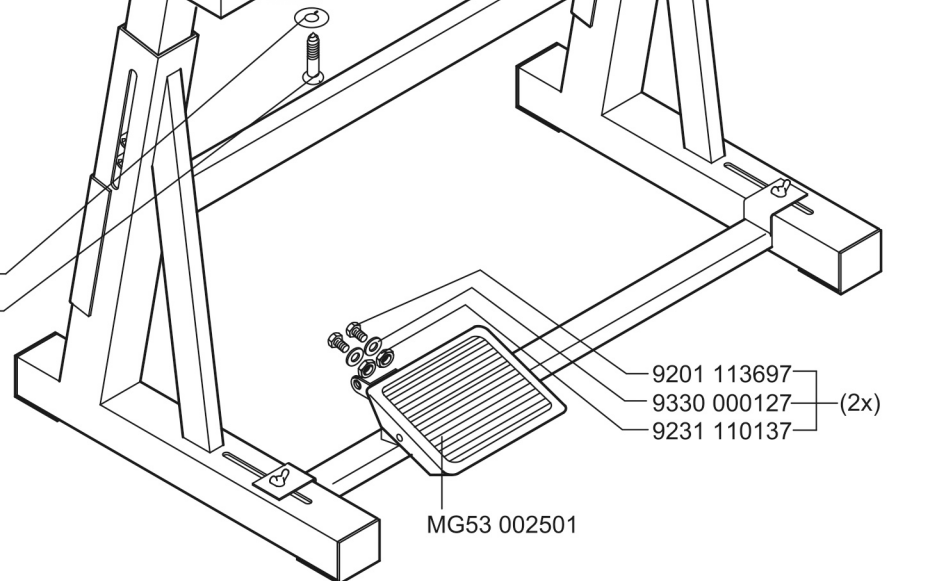
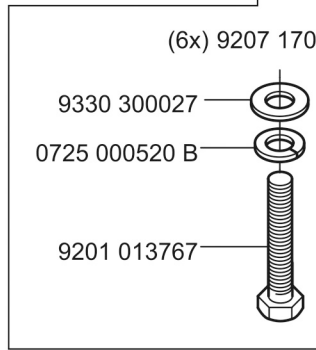
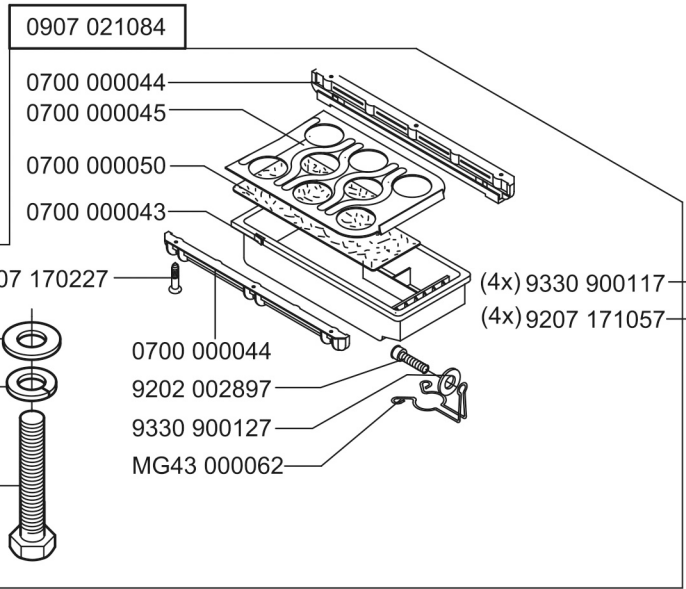
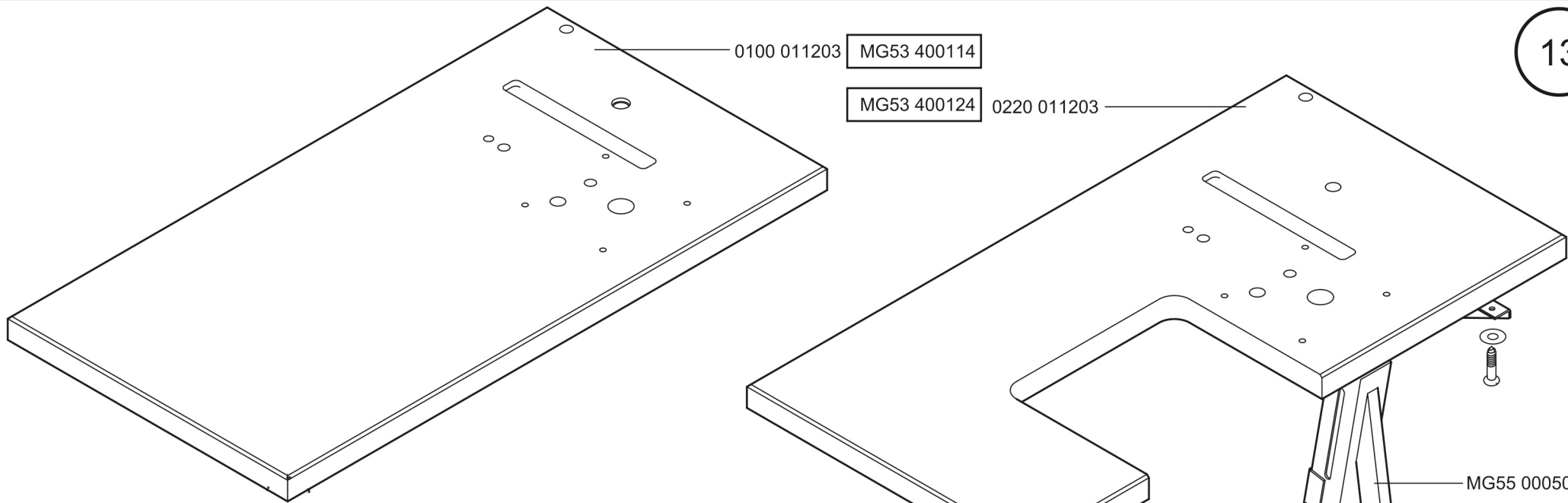


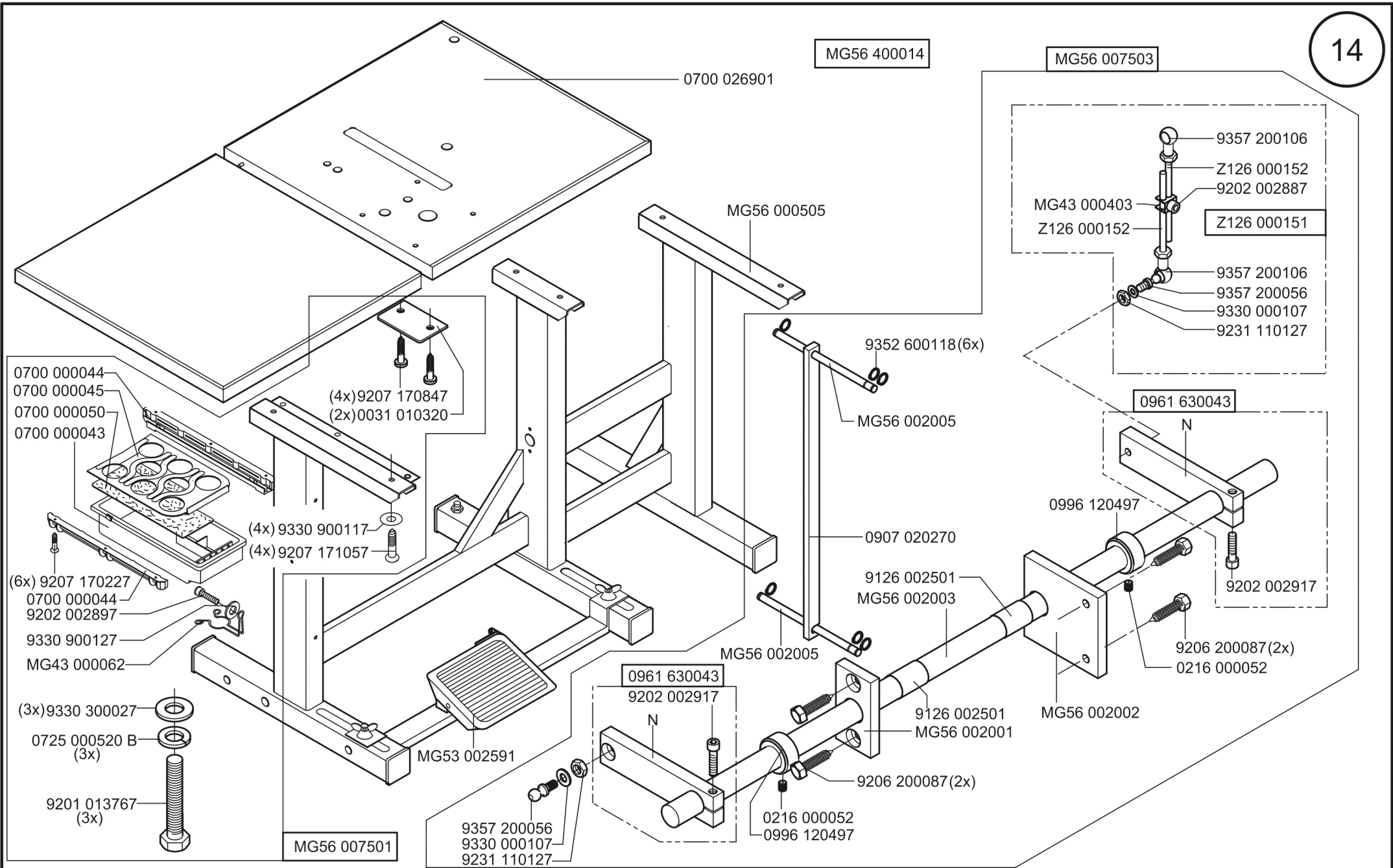






* until 05.2007 至05.2007 (HP20)
 ** from 06.2007 从06.2007 (HIG 20 S)起
 *** on request / 根据要求





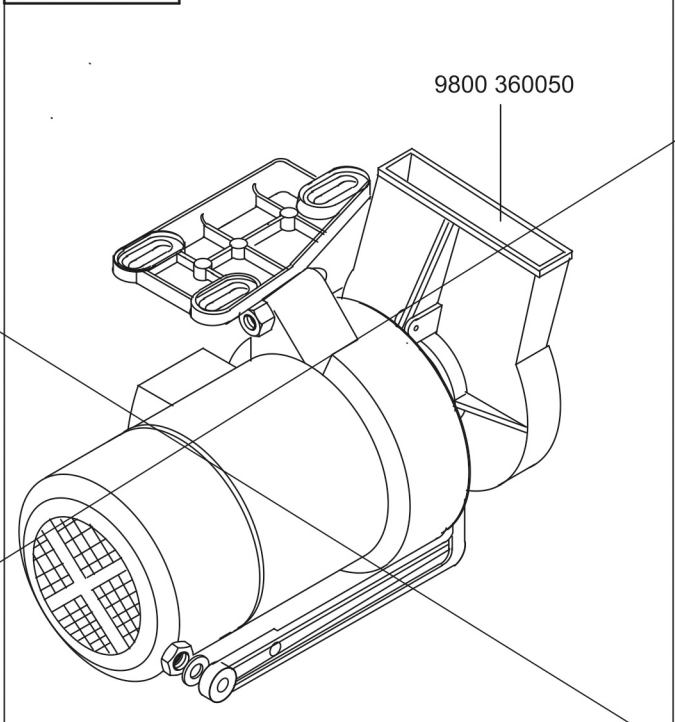
Scale / 比例 50 %

Cl. 69

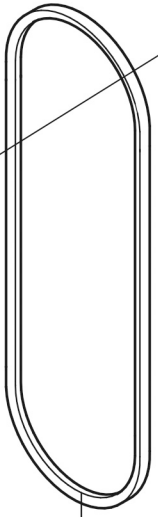
Edition / 版本 11.2019

9889 006901 1

9800 110001 A FIR 1147-F..554.3 3x220/380-415V 50HZ



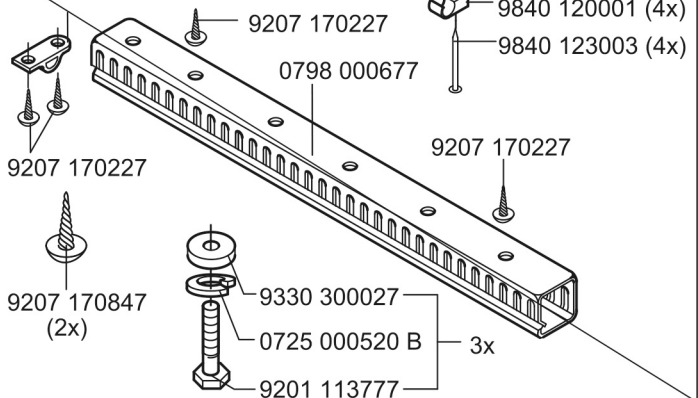
9130 500120 (B112-L)



9130 104310 (10 X 1500)

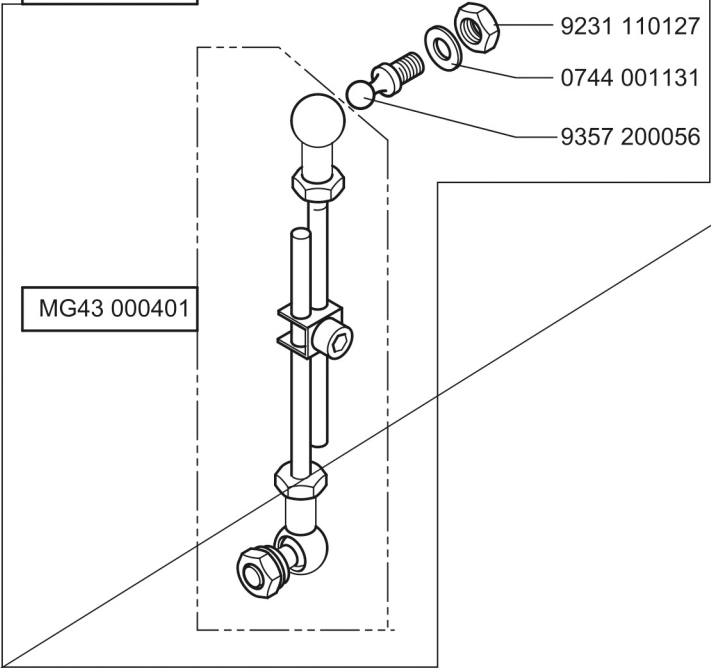
9800 360050

9840 120060



0907 030484

MG43 000410



MG43 000401

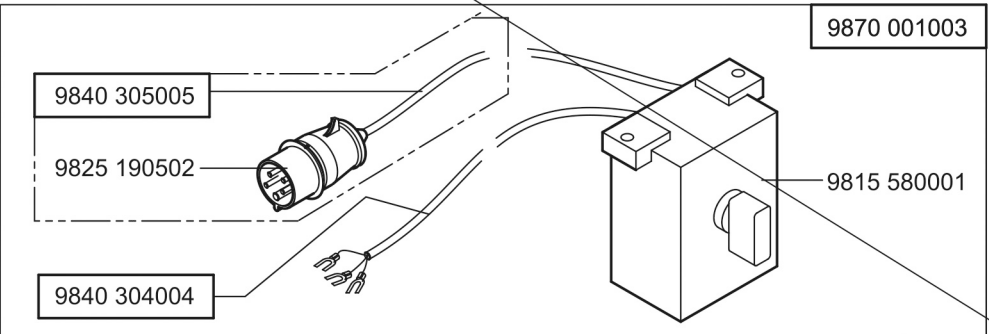
9870 001003

9840 305005

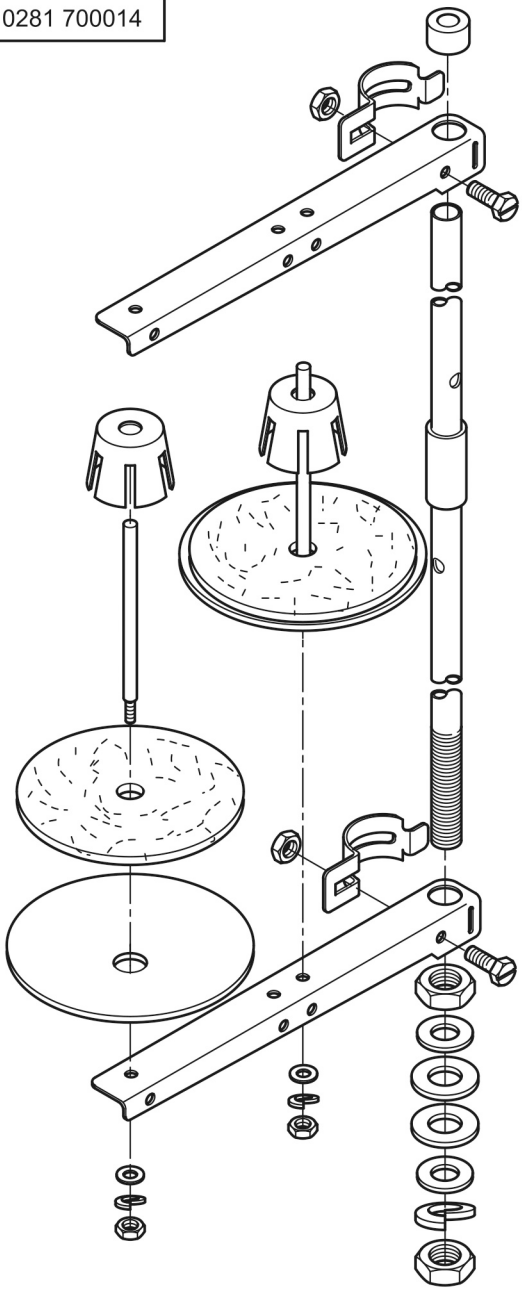
9825 190502

9840 304004

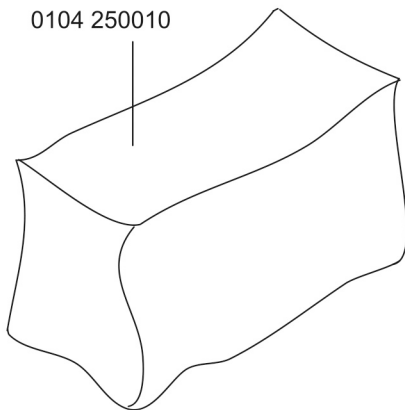
9815 580001



0281 700014

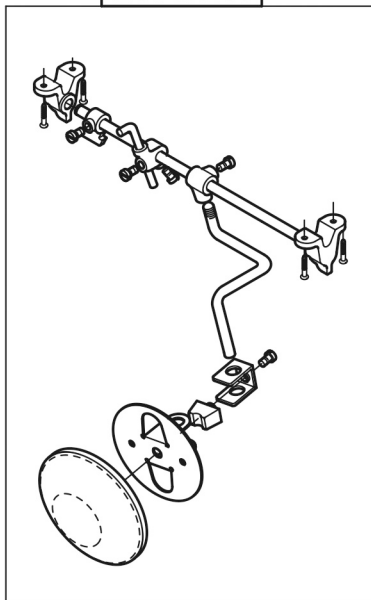


0104 250010



0069 005800 (4x)

0791 069100



0081 001660

9081 500051



9081 500010

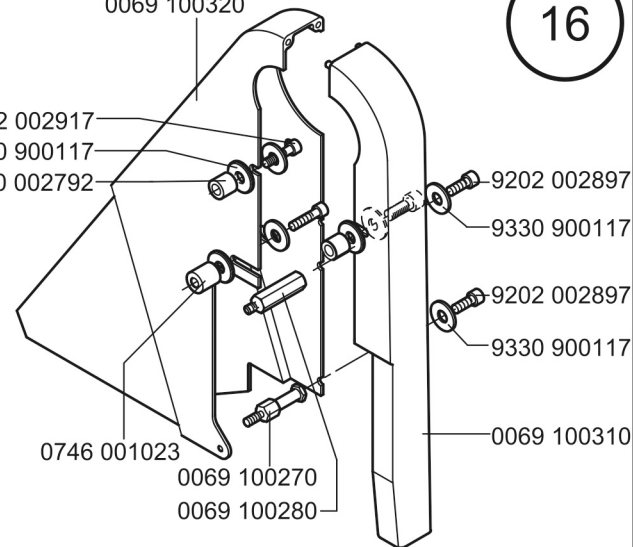


0068 008420S

0052 000369

0069 100320

(3x) 9202 002917
 (6x) 9330 900117
 (2x) N900 002792



0746 001023

0069 100270
 0069 100280

9202 002897

9330 900117

9202 002897

9330 900117

0069 100310

9092 013400 090 (10x)
 9092 013400 130 (10x)

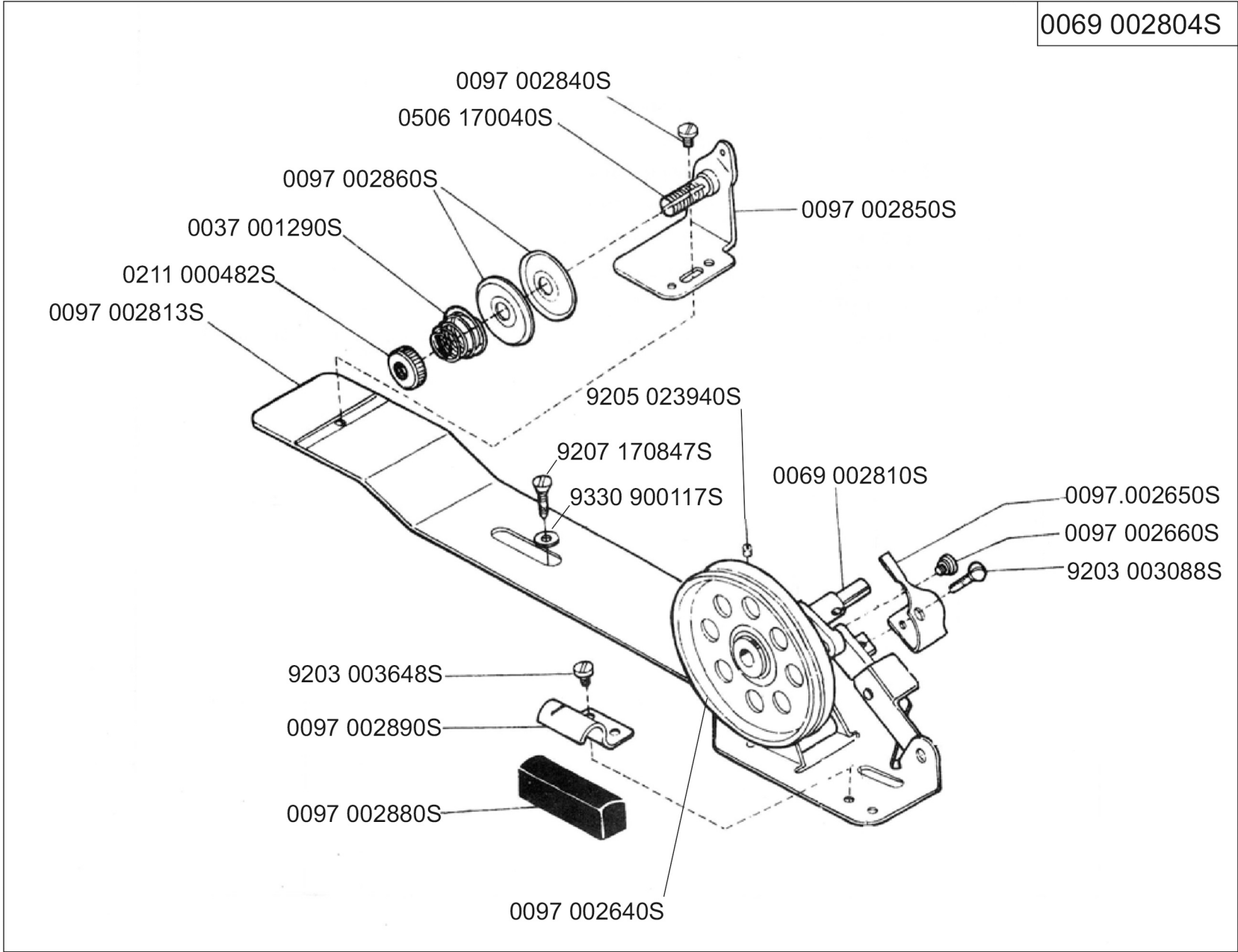
(4x) 9203 214417

(4x) 9330 900117

(4x) 9234 000087

16

0069 002804S

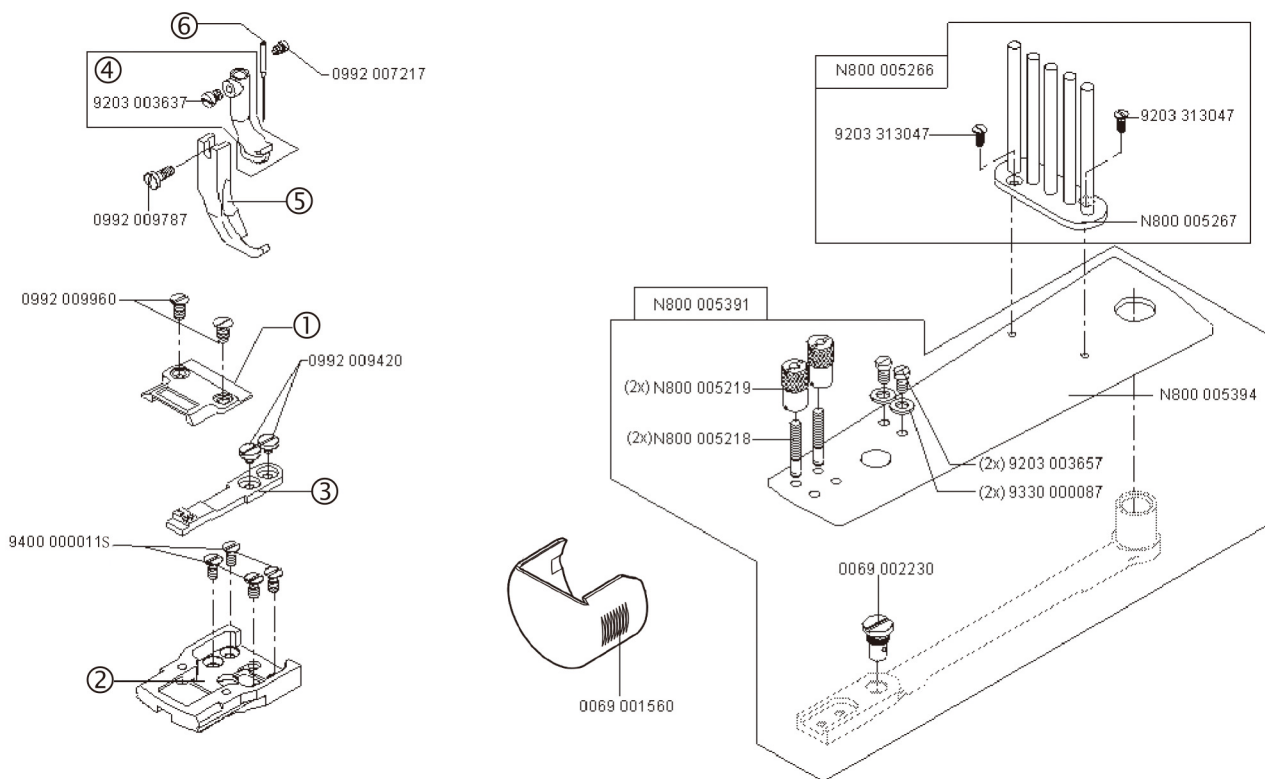


Part No./零件号	Table/页号	Part No./零件号	Table/页号	Part No./零件号	Table/页号	Part No./零件号	Table/页号				
0002	007504 8580	12	0067	160560	05	0068	002343	05	0069	002670	11
0002	007504 9500	12	0067	160573	05	0068	002350	05	0069	002804S	17
0016	004010	08	0067	160583	05	0068	002380	05	0069	002810S	17
0031	010320	14	0067	160600	03	0068	002400	05	0069	002820	11
0037	000200	04	0067	161000	05	0068	002460	05	0069	002850	11
0037	000210	04	0067	161100	05	0068	003320	04	0069	003060	06
0037	001290S	17	0067	161200	05	0068	004900	08	0069	003084	06
0037	001920	06	0067	161300	05	0068	004910	08	0069	005417	12
0045	003310	06	0067	312013	04	0068	006260	07, 11	0069	005784	07
0052	000369	16	0067	312030	04	0068	008420S	16	0069	005800	07, 16
0052	001020	07	0067	312050	04	0068	150023	01	0069	005814	07, 11
0061	001050	08	0067	312070	04	0068	150650	02	0069	005870	07
0061	002410	04	0067	312170	04	0068	160470	05	0069	005910	07
0067	000224S	08	0067	312174	04	0068	160483	05	0069	005940	07
0067	000270	08	0067	312240	04	0068	310010	03	0069	100250	01
0067	000423S	03	0067	312250	04	0068	310053	03	0069	100270	16
0067	002320	05	0068	000110	09	0069	001500	10	0069	100280	16
0067	002330	05	0068	000120	09	0069	001510	10	0069	100310	16
0067	002380	05	0068	000160	03	0069	001580	11	0069	100320	16
0067	002460	05	0068	000170	03	0069	001650	10	0069	140280	10
0067	002470	05	0068	000180	03	0069	001680	09	0069	150140	02
0067	003080	06	0068	000220S	08	0069	001740	07	0069	150160	02
0067	003084	06	0068	000240	08	0069	001743	07	0069	150180	07
0067	003123	01	0068	000260	08	0069	001780	07, 11	0069	150210	11
0067	003133	04	0068	000270	08	0069	002170	10	0069	150334	02
0067	003280	09	0068	000290	08	0069	002180S	10, 11	0069	150424	02
0067	003293	04	0068	000323	04	0069	002210	07	0069	160253	07
0067	003320	04	0068	000430	03	0069	002290	10	0069	160263	07
0067	100050	01	0068	000470	03	0069	002380	11	0069	160273	05
0067	100220	01	0068	000560	04	0069	002410	07	0069	160293S	07
0067	100510	01	0068	000570S	04	0069	002450	11	0069	160363	07, 11
0067	100520	01	0068	000574S	04	0069	002480	11	0069	160383S	05
0067	100530	01	0068	000580	04	0069	002490	11	0069	160390	11
0067	100600	01	0068	000590	04	0069	002513S	11	0069	241330	12
0067	100610	01	0068	000660	04	0069	002540	11	0069	241340	12
0067	130110	06	0068	000680	04	0069	002570	11	0069	241360	12
0067	130140	06	0068	001680	09	0069	002610	11	0069	241383	12
0067	160013	05	0068	001743	07, 11	0069	002630	11	0069	242073	12
0067	160040	05	0068	002010S	01	0069	002640	11	0069	312023	04
0067	160533	07	0068	002020S	01	0069	002660S	11	0069	312024	04

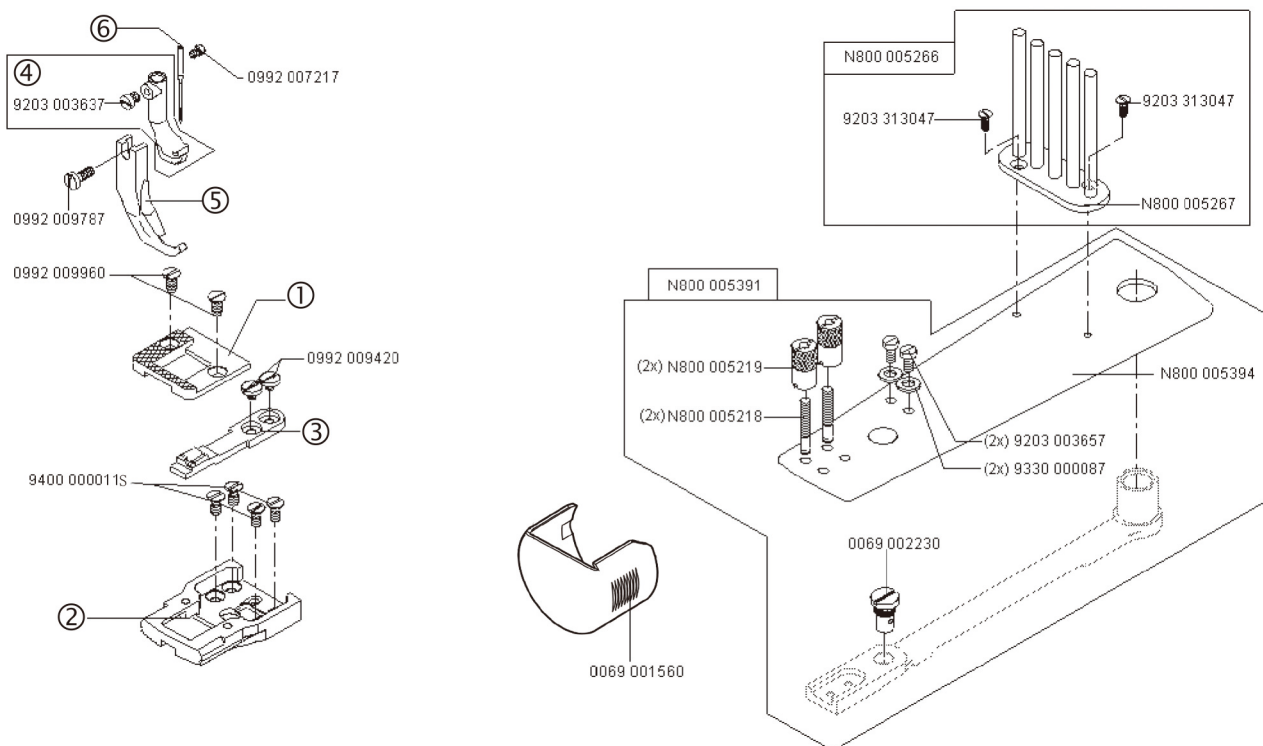
Part No./零件号	Table/页号	Part No./零件号	Table/页号	Part No./零件号	Table/页号	Part No./零件号	Table/页号				
0069	312030	04	0268	110223	04	0992	002160	07	9081	500051	16
0069	312040	04	0268	130140	06	0992	003187S	09	9092	013400 090	16
0069	312053	04	0268	230014	03	0992	003248S	04	9092	013400 130	16
0069	312070	03	0281	700014	16	0992	003293	04	9126	002501	14
0077	130030	06	0291	000159	03	0992	004477	05	9130	104310	15
0077	130033	06	0296	001440	02	0992	005660	05	9130	500120	15
0081	001660	16	0367	110340	08	0992	006480S	01, 08	9201	013767	13, 14
0091	000170	08	0367	110350	08	0992	006800	04	9201	113697	13
0095	000110	01	0367	110360	08	0992	009420	10	9201	113777	15
0095	002390S	05	0367	110370	08	0992	009787	04, 09, 10	9202	002073	12
0097	002640S	17	0381	110043	08	0992	009930	07	9202	002097	03
0097	002650S	17	0396	310080	09	0992	009960	10	9202	002487	04
0097	002660S	17	0467	110220	08	0992	010467S	05	9202	002887	05, 14
0097	002813S	17	0506	170040S	17	0992	012157	04	9202	002888	05
0097	002840S	17	0699	979100	02	0992	013437	08	9202	002897	04, 13, 14, 16
0097	002850S	17	0700	000043	13, 14	0992	013770	08	9202	002898	07
0097	002860S	17	0700	000044	13, 14	0992	013807	06	9202	002917	14, 16
0097	002880S	17	0700	000045	13, 14	0992	013820	05	9202	003307	10
0097	002890S	17	0700	000050	13, 14	0992	013937	08	9202	003317	12
0098	101000	01	0700	026901	14	0992	013997	08	9202	003738	10
0099	002330	03	0725	000520 B	13, 14, 15	0992	014517	05	9202	042497	04
0099	004810	08	0744	001131	15	0992	014627	09	9202	150327	11
0099	004820	08	0746	001023	16	0992	014950	04	9203	003088S	17
0099	004830	08	0767	100010	09	0992	015340	10	9203	003637	10
0099	004893	08	0791	069100	16	0992	017500	07	9203	003642	08
0099	004910	08	0798	000677	15	0992	017510	07	9203	003648S	17
0099	004950	08	0798	120401	12	0992	017520	07	9203	003657	08, 09
0100	011203	13	0798	447914	12	0992	017567	08	9203	003662	03
0104	250010	16	0894	450418	12	0992	017638	04	9203	004267	07
0169	000220	08	0894	700738	05	0992	022037S	07, 10	9203	100632	05
0169	130014	06	0907	020270	14	0992	023997S	01	9203	123687	08
0169	150400	02	0907	021084	13	0992	024000	07, 11	9203	214417	16
0211	000482S	17	0907	030484	15	0993	531250	07	9203	312411	03
0216	000052	14	0907	487519	12	0994	270950	03	9203	313657	08
0220	011203	13	0939	000394	11	0995	430320	09	9205	023631	05
0223	000646	01, 02	0961	630043	14	0996	120497	14	9205	023920	03
0241	001067	08	0990	240181	01	0998	820248	04	9205	023940S	17
0267	120030	03	0992	000150S	05	0APP	001132	12	9205	101528	03, 10
0268	100193	01	0992	000927S	08	9041	100212	01, 03	9205	102178	01
0268	110050	08	0992	001810	10	9081	500010	16	9205	102467	04

Part No./零件号	Table/页号	Part No./零件号	Table/页号	Part No./零件号	Table/页号	Part No./零件号	Table/页号
9205 102478	03	9400 000011S	10, 11	MG56 002002	14		
9205 102488	01, 05	9800 110001 A	15	MG56 002003	14		
9205 102788	07, 11	9800 360050	15	MG56 002005	14		
9205 122478	01	9815 580001	15	MG56 007501	14		
9205 122498	01	9822 510001	12	MG56 007503	14		
9205 162478	01	9822 510003	12	MG56 400014	14		
9206 200087	14	9822 510012	12	N800 005399	11		
9207 170227	13, 14, 15	9822 510013	12	N800 005413	12		
9207 170437	12	9822 610000	12	N800 005417	12		
9207 170847	14, 15	9822 642024	12	N800 015411S	12		
9207 170847S	17	9822 642027	12	N800 015412S	12		
9207 171057	13, 14	9825 190502	15	N900 002792	16		
9217 000627	10	9825 810302	12	Z126 000151	14		
9231 110107	06	9840 120001	12, 15	Z126 000152	14		
9231 110127	04, 14, 15	9840 120003	12				
9231 110137	13	9840 120026	12				
9234 000087	16	9840 120060	15				
9301 101911	11	9840 120203	12				
9305 603270	05	9840 121001	12				
9330 000087	03	9840 123003	12				
9330 000097	04	9840 123003	15				
9330 000107	14	9840 132015	12				
9330 000127	10, 13	9840 133012	12				
9330 300027	13, 14, 15	9840 133013	12				
9330 700097	09	9840 135012	12				
9330 900117	13, 14, 16	9840 304004	15				
9330 900117S	17	9840 305005	15				
9330 900127	13, 14	9870 001003	15				
9352 000320	05	9889 006901 1	15				
9352 600118	14	MG43 000062	13, 14				
9357 000050	11	MG43 000401	15				
9357 000060	04	MG43 000403	14				
9357 000070	12	MG43 000410	15				
9357 000080	04	MG53 002501	13				
9357 000090	07	MG53 002591	14				
9357 000090 CN	11	MG53 400114	13				
9357 000100	06, 07	MG53 400124	13				
9357 000110	04	MG55 000501	13				
9357 200056	14, 15	MG56 000505	14				
9357 200106	14	MG56 002001	14				

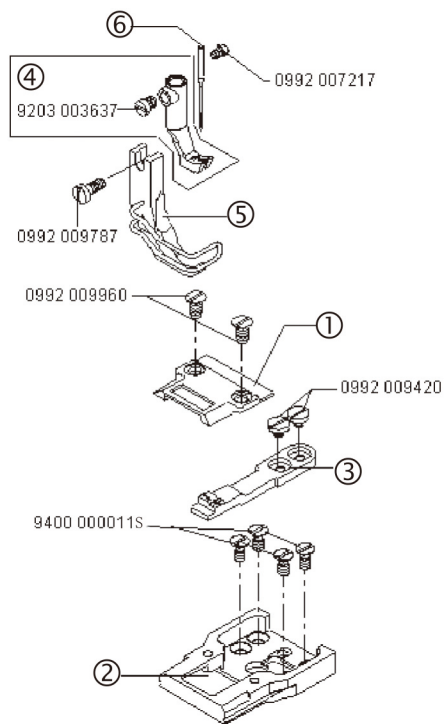
E4



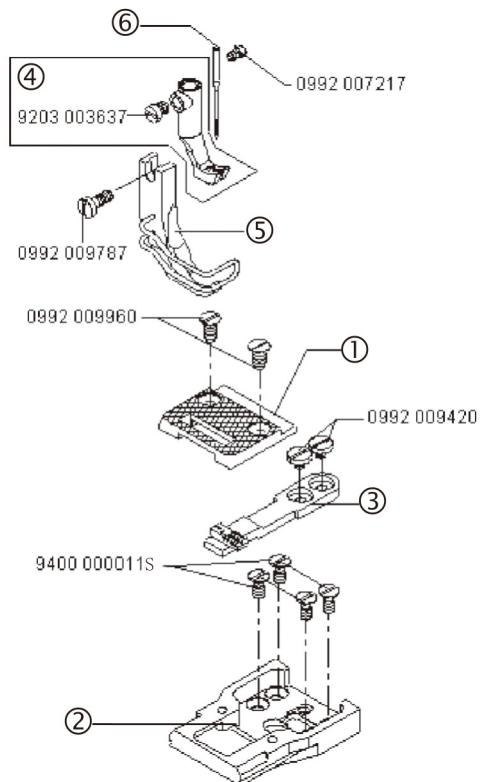
E5



E7

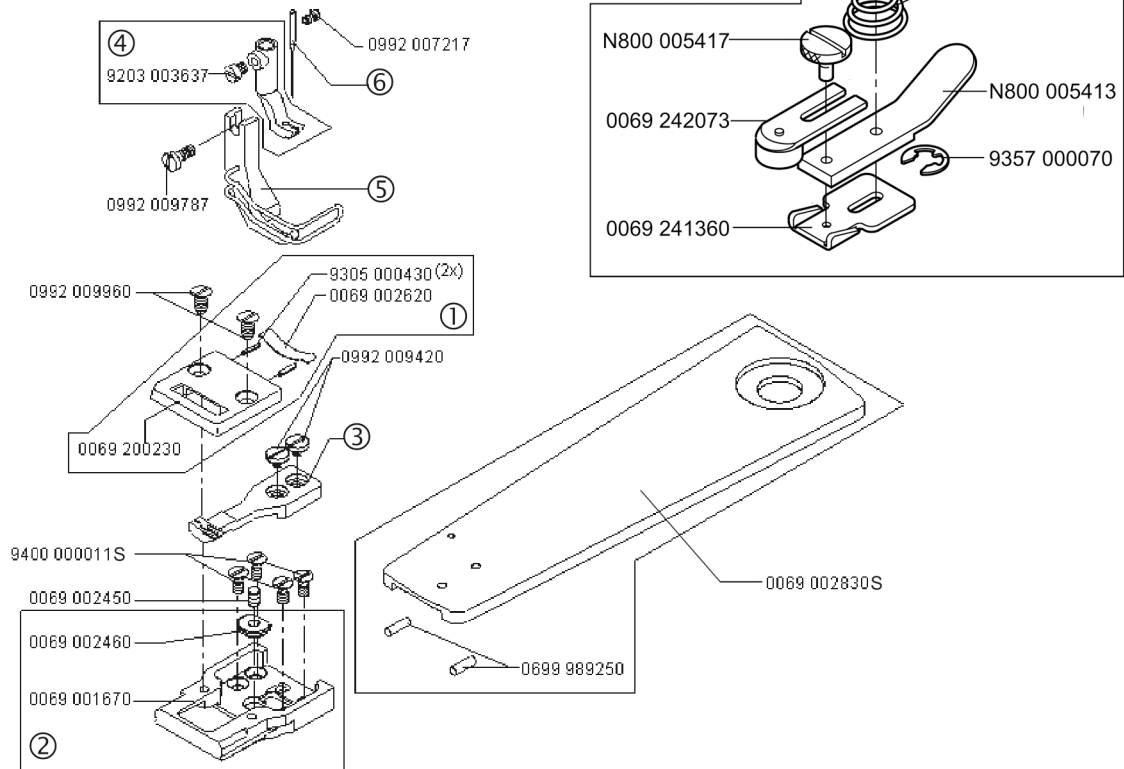


E10



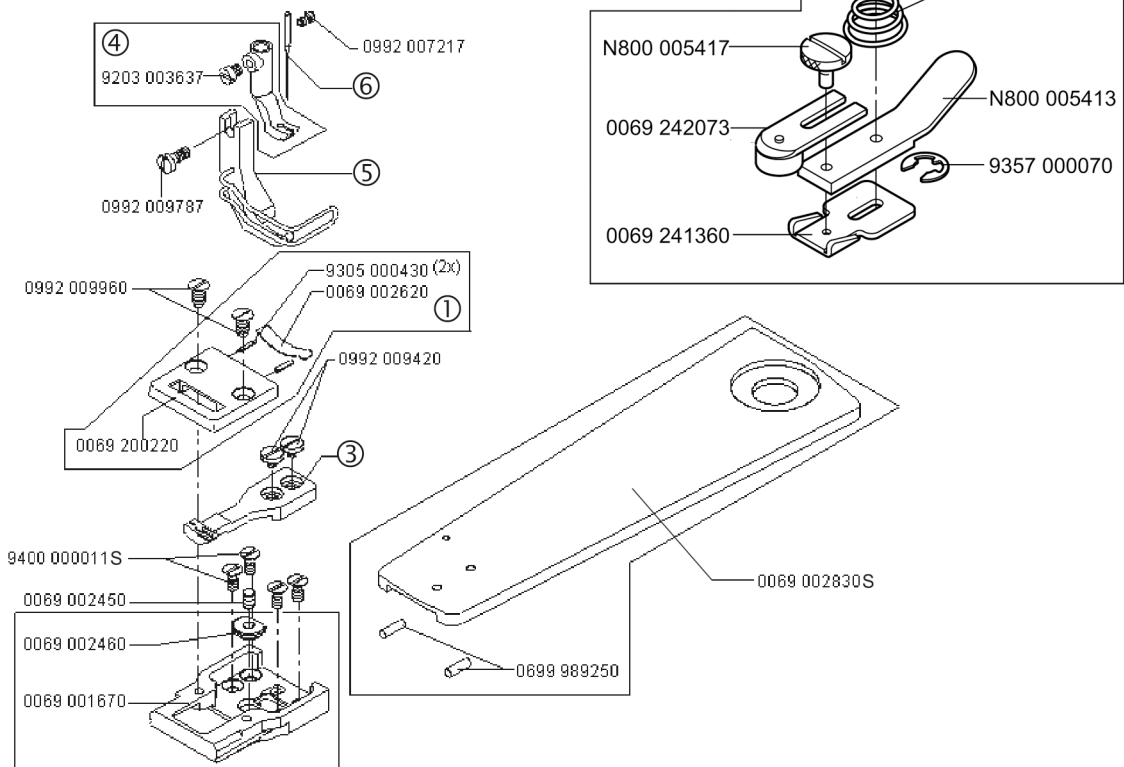
E107

N800 015412S



E110

N800 015412S



E-No. Fig.No 图号	For Subclass / 分机型 Use / 应用	① Throat plate / 针板	② Throat plate base / 针板底座			⑤ Presser foot / 压脚	④ Feeding foot / 送料压脚		③ Feed dog / 送料牙				⑥ Needle / 机针	Arm cover / 底板罩	Needle system / -size / 机针系统/尺寸
E4	-373-01 Sewing equipment for binding; for light - medium weight material. Max. stitch length 4,5 mm Needle system 134. Needle size Nm 80-110, for narrow bindings. 用于薄中厚度面料缝纫： 最大针距 4.5mm 机针 134 Nm 80-110	0069 200150	0069 201020			0069 003910	0069 221173		0069 210140				9092 013400 090	N800 005391	134/90
E5	-373-01 Sewing equipment for binding; for light - medium weight material. Max. stitch length 4,5 mm Needle system 134. Needle size Nm 80-110, for wide bindings. 用于薄中厚度面料缝纫： 最大针距 4.5mm 机针 134 Nm 80-110	0069 201000	0069 201020			0069 003910	0069 221003		0069 211000				9092 013400 090	N800 005391	134/90
E7	-373-01 Sewing equipment for medium weight material. Max. stitch length 5 mm. Needle system 134. Needle size Nm 110-130, short rounded throat plate, single-row feed dog. 用于中等厚度面料缝纫： 最大针距 5mm 机针 134 Nm 110-130 短圆形针板，单排送布牙	0069 001330	0069 201020			0069 003943	0069 221213		0069 210180				9092 013400 130		134/130
E10	-373-01 Sewing equipment for edge seams, for medium weight material. Max. stitch length 5 mm. Needle system 134. Needle size Nm 110-140, flat throat plate, long single-row feed dog. 用于中等厚度面料缝纫： 最大针距 5mm 机针 134 Nm 110-140 平针板，单排送布牙	0069 200160	0069 201020			0069 003943	0069 221213		0069 210190				9092 013400 130		134/130

E-No. Fig.No 图号	For Subclass / 分机型 Use / 应用	① Throat plate / 针板	② Throat plate base / 针板底座			⑤ Presser foot / 压脚	④ Feeding foot / 送料压脚	③ Feed dog / 送料牙						⑥ Needle / 机针	Arm cover / 底板罩	Needle system / size / 机针系统/尺寸
E107	-373H-01 Sewing equipment for medium weight material. Max. stitch length 5 mm. Needle system 134. Needle size Nm 110-130, short rounded throat plate, single-row feed dog. Incl. Roller guide N800 015412S. 用于中厚面料缝纫： 最大针距 5mm 机针 134 Nm 110-130 短圆形针板，单排进料牙 导边器N800 015412S	0069 200230	0069 001673			0069 003943	0069 221213	0069 210220						9092 013400 130		134/130
E110	-373H-01 Sewing equipment for edge seams, for medium weight material. Max. stitch length 5 mm. Needle system 134. Needle size Nm 110-140, flat throat plate, long single-row feed dog. Incl. Roller guide N800 015412S. 用于中厚面料缝纫： 最大针距 5mm 机针 134 Nm 110-140 短圆形针板，单排进料牙 导边器N800 015412S	0069 200220	0069 001673			0069 003943	0069 221213	0069 210210						9092 013400 130		134/130

Contact:

Dürkopp Adler AG

PO Box 17 03 51, D-33703 Bielefeld

Potsdamer Straße 190, D-33719 Bielefeld

Phone: +49 (0) 521 9 25 00

Fax: +49 (0) 521 9 25 24 35

Manufacturer:

Precious Science and Technology

Group Corporation Limited

NO.333, Huangjiao Road

Huangyan Area Taizhou City

Zhejiang

P. R. China



DÜRKOPP ADLER AG
Potsdamer Str. 190
33719 Bielefeld
Germany
Phone: +49 (0) 521 925 00
E-Mail: service@duerkopp-adler.com
www.duerkopp-adler.com