

767 Classic

Parts List and Sewing Equipment

零件列表和缝制设备

All rights reserved.

Property of Dürkopp Adler AG and protected by copyright. Any reuse of these contents, including extracts, is prohibited without the prior written approval of Dürkopp Adler AG.

Copyright © Dürkopp Adler AG 2017

保留所有权利。

杜克普爱华股份公司 (Dürkopp Adler AG) 所有并受版权保护。未经杜克普爱华股份公司 (Dürkopp Adler AG) 预先书面同意，严禁以任何形式复制、传播或摘录其中任何内容。

版权所有 © 杜克普爱华股份公司 (Dürkopp Adler AG) - 2017

Parts List and Sewing Equipment

零件列表和缝纫附件

767 Classic

Table of Contents/目录

Content	Table/图表	目录
Upper shaft	1	上轴
Upper and bottom shaft drive, Safety clutch	2	上轴和下轴驱动, 安全离合器
Thread lever	3	挑线杆
Needle feed drive	4	针送料驱动
Alternating foot top feed	5, 6	交替压脚上送料
Bottom feed drive	7	下送料驱动
Bottom feed	8	下送料
Presser foot lift, pneumatic	9, 10	气动压脚提升
Oversized hook with bobbin	11	超大容量旋梭及梭芯
Hook case	12	旋梭安装座
Thread trimmer	13	剪线装置
Winder	14	绕线器
Tension plate pneumatic	15	气动夹线板
Stitch adjustment	16	针距调节
Solenoid valve unit, Push-buttons	17	电磁阀装置, 按钮
Central lubrication	18	中央润滑系统
Arm	19	机壳
Arm cover	20	机壳上盖板
Bed plate	21	底板
Sewing lamp LED	22	LED 缝纫照明灯
Manual backtack lever, knee lever	23	手动倒缝杆, 膝控杆
Part set for DAC classic	24	DAC classic 组件
Sewing lamp halogen	25	缝纫照明卤素灯
Part set – lift pneumatic	26	气动行程调节组件
Stand	27	机架
Maintenance unit	28	维护单元
Accessories	29, 30	附件
Electropneumatic needle cooling, upper, lower	31	电子气动机针上下冷却系统
Edge guide	32	导边器
Table top	33	台板

Parts List and Sewing Equipment

零件列表和缝纫附件

767 Classic

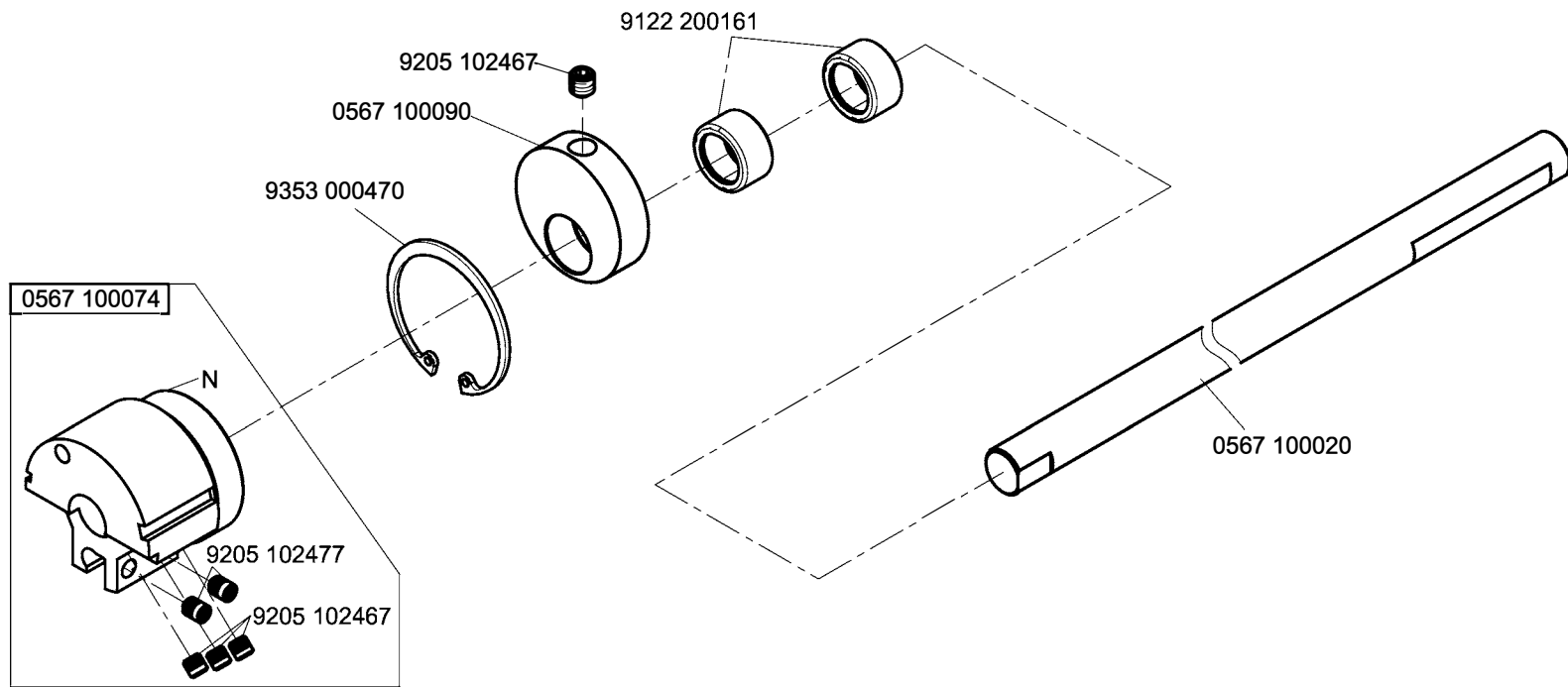
Table of Contents/目录

Content	Table/图表	目录
Stand electric adjustable		高度电子可调式机架
Pedal K20		K20 踏板
Pedal Ergobody		Ergobody 踏板
Parts set		组件
Slide		推板
Fastening parts for sewing equipment		缝纫附件安装紧固件
Sewing equipment		缝纫附件
Wiring Diagram		接线图
Pneumatic diagram		气动回路图

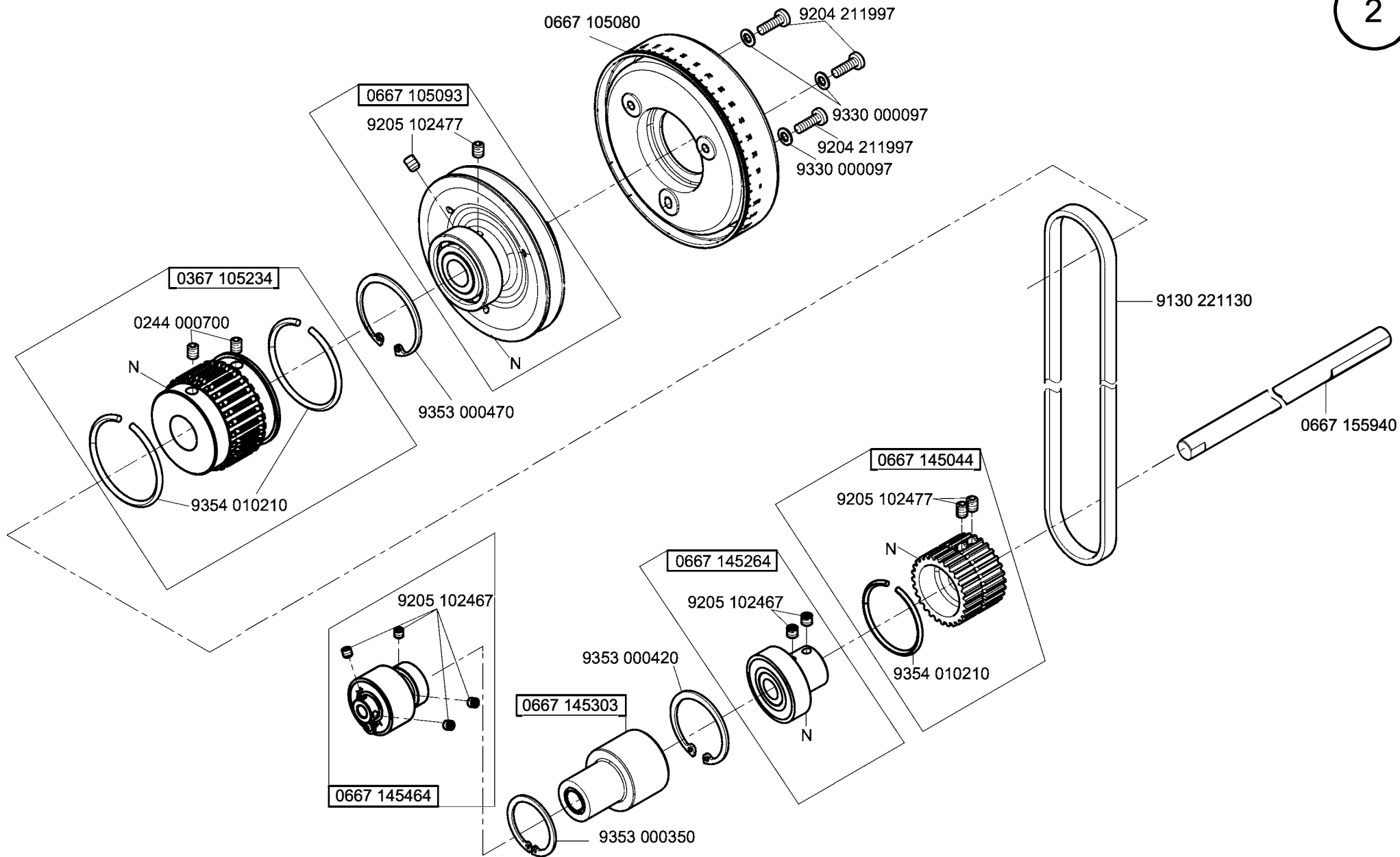


stick/需用胶水

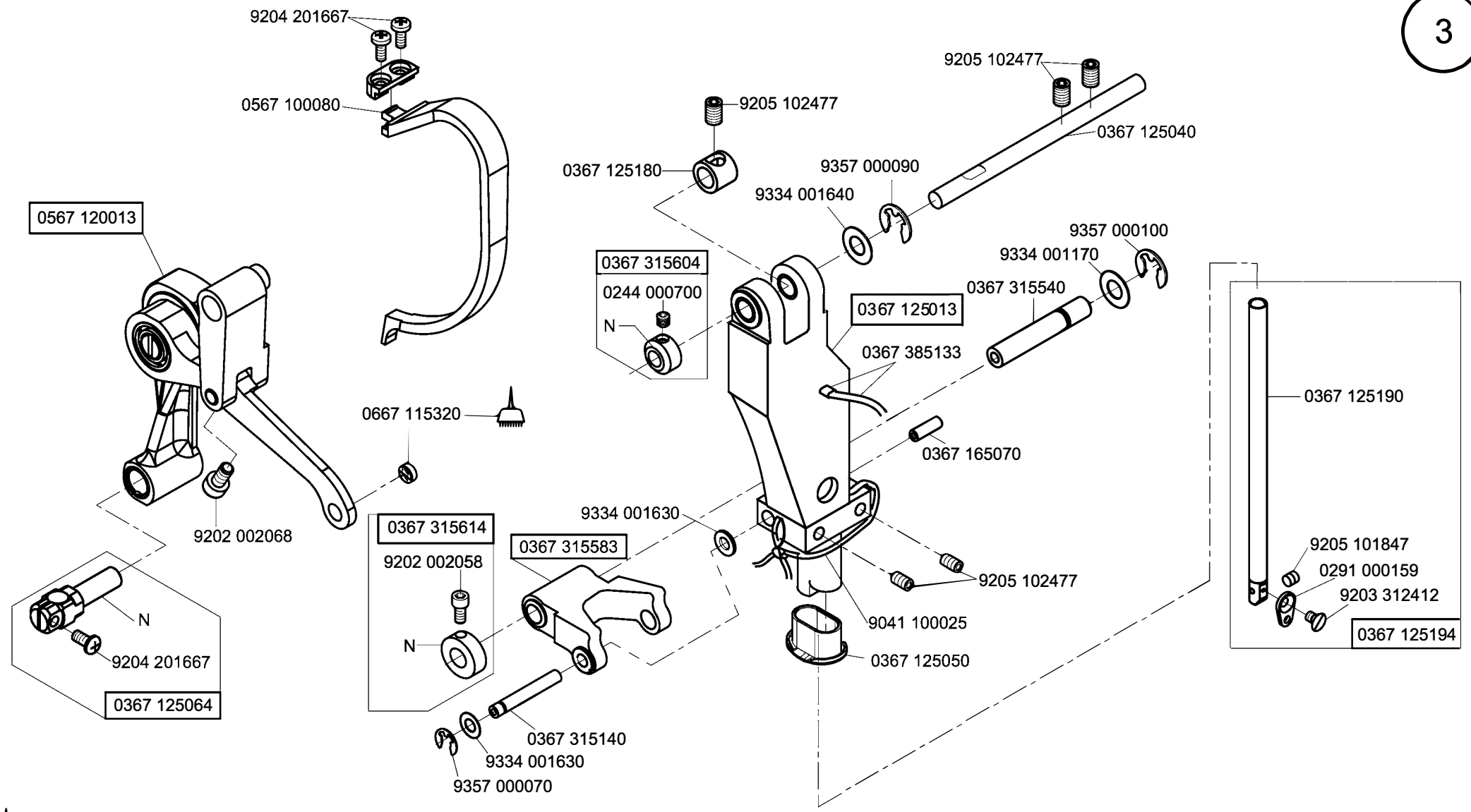
N – not available as separate part/不提供散件



N – not available as separate part/不提供散件

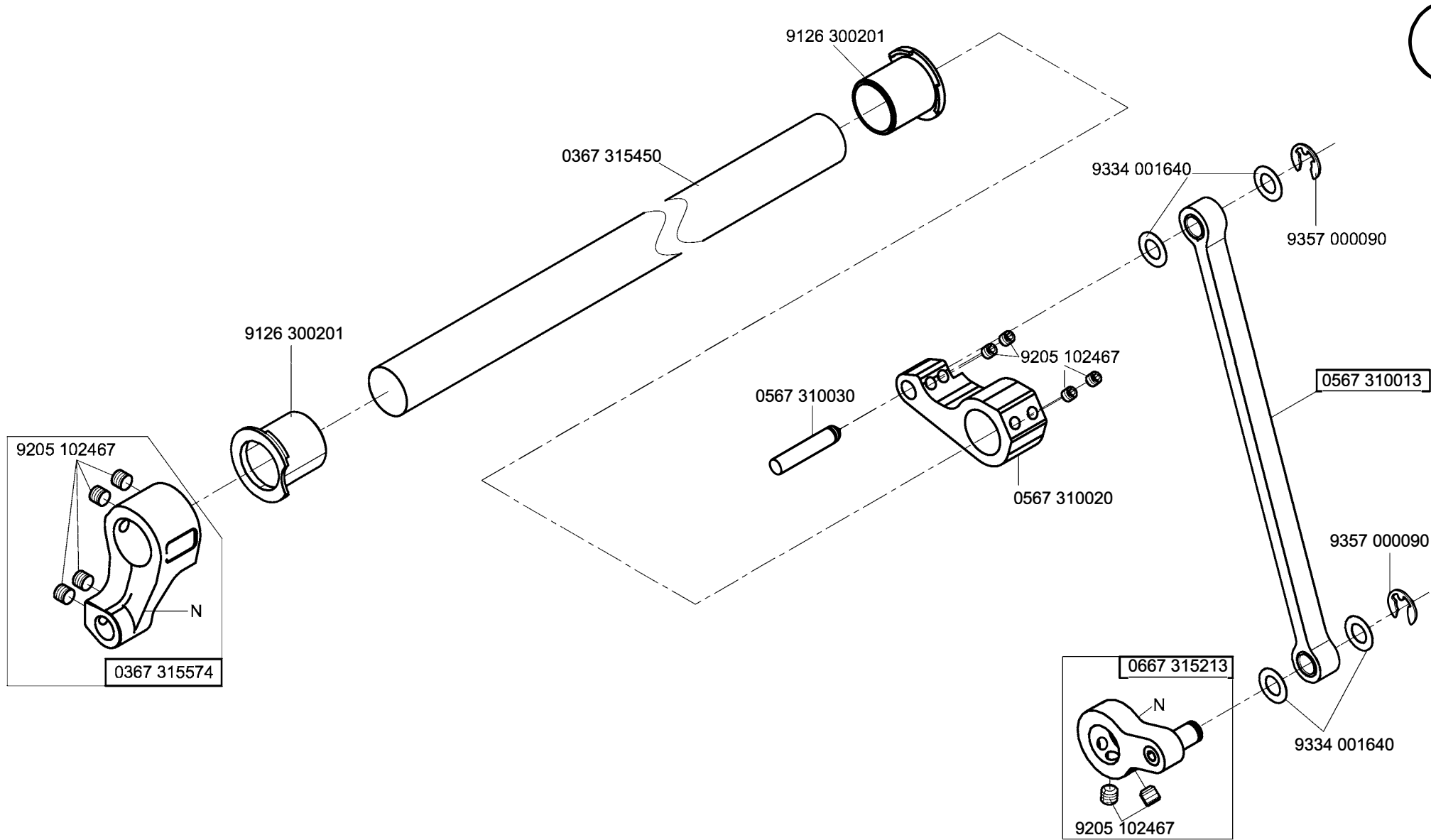


N – not available as separate part/不提供散件

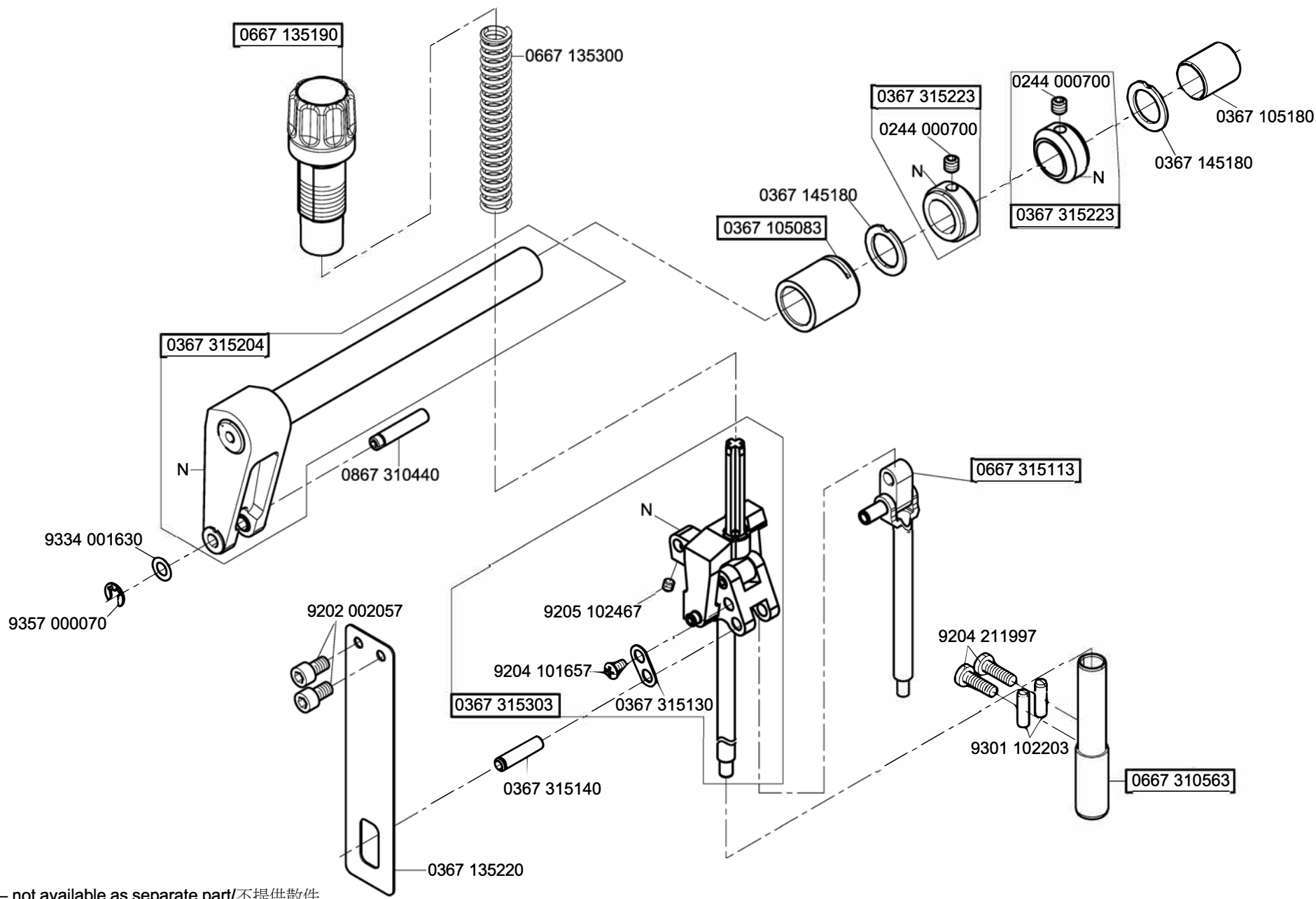


 - stick/需用胶水

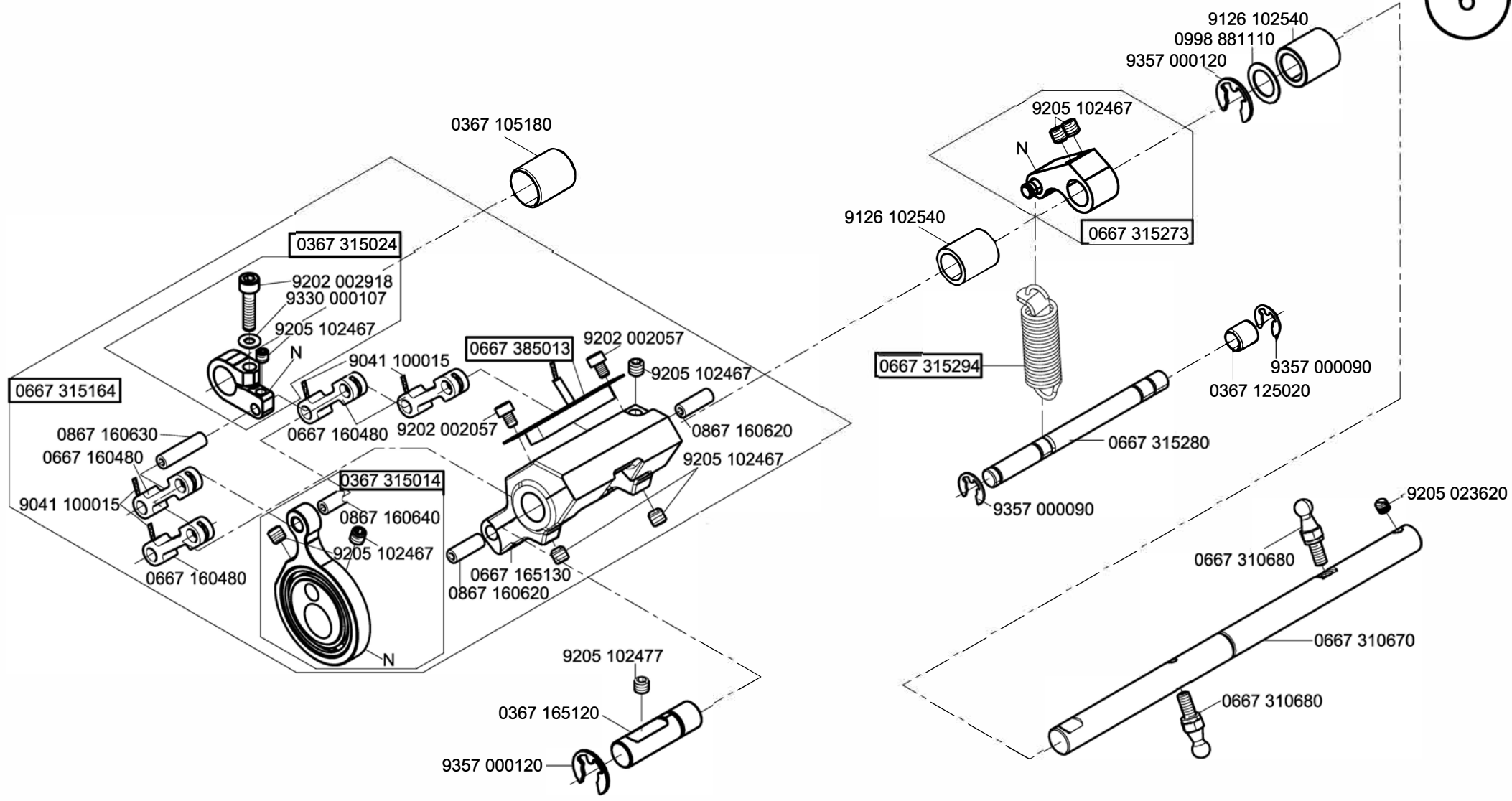
N – not available as separate part/不提供散件



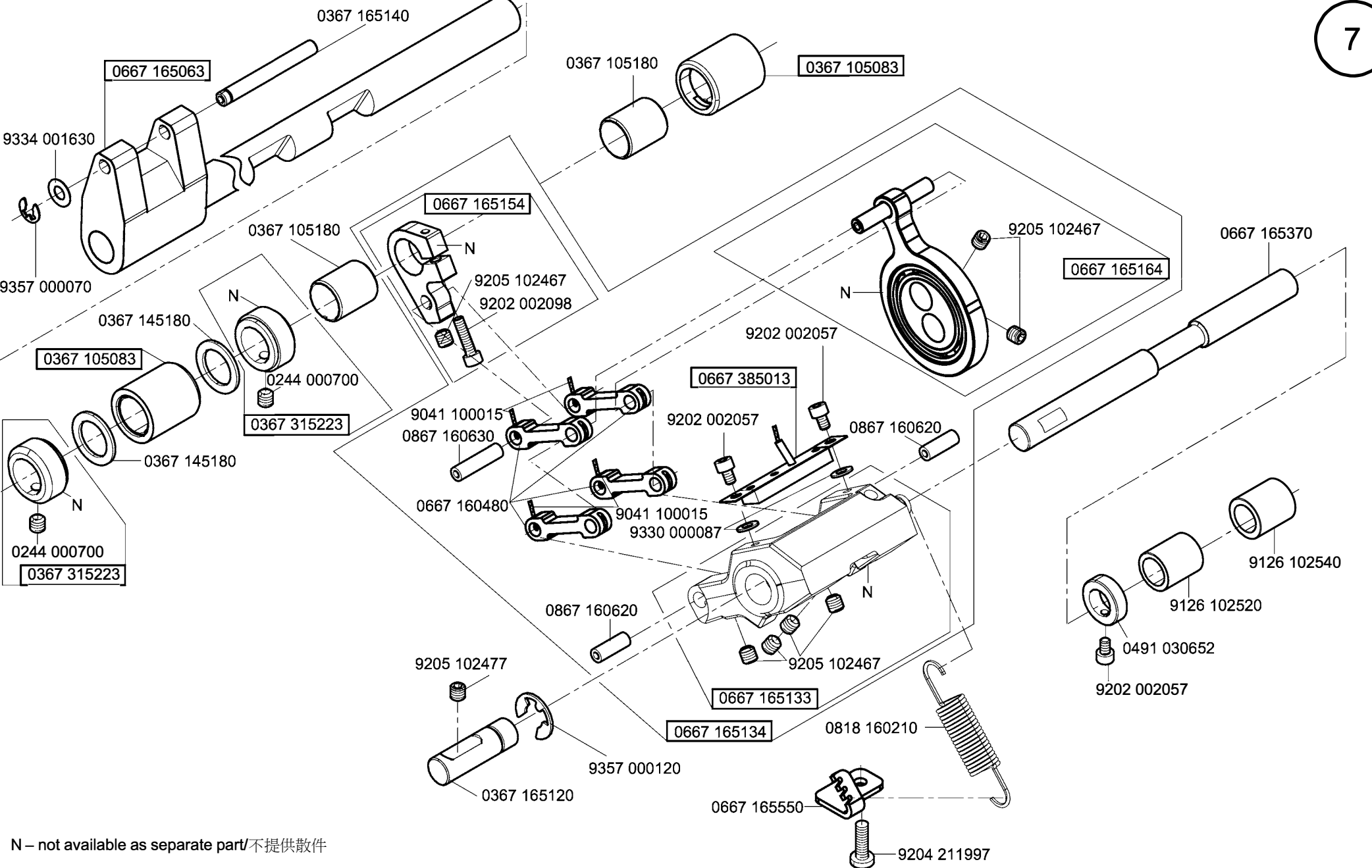
N – not available as separate part/不提供散件



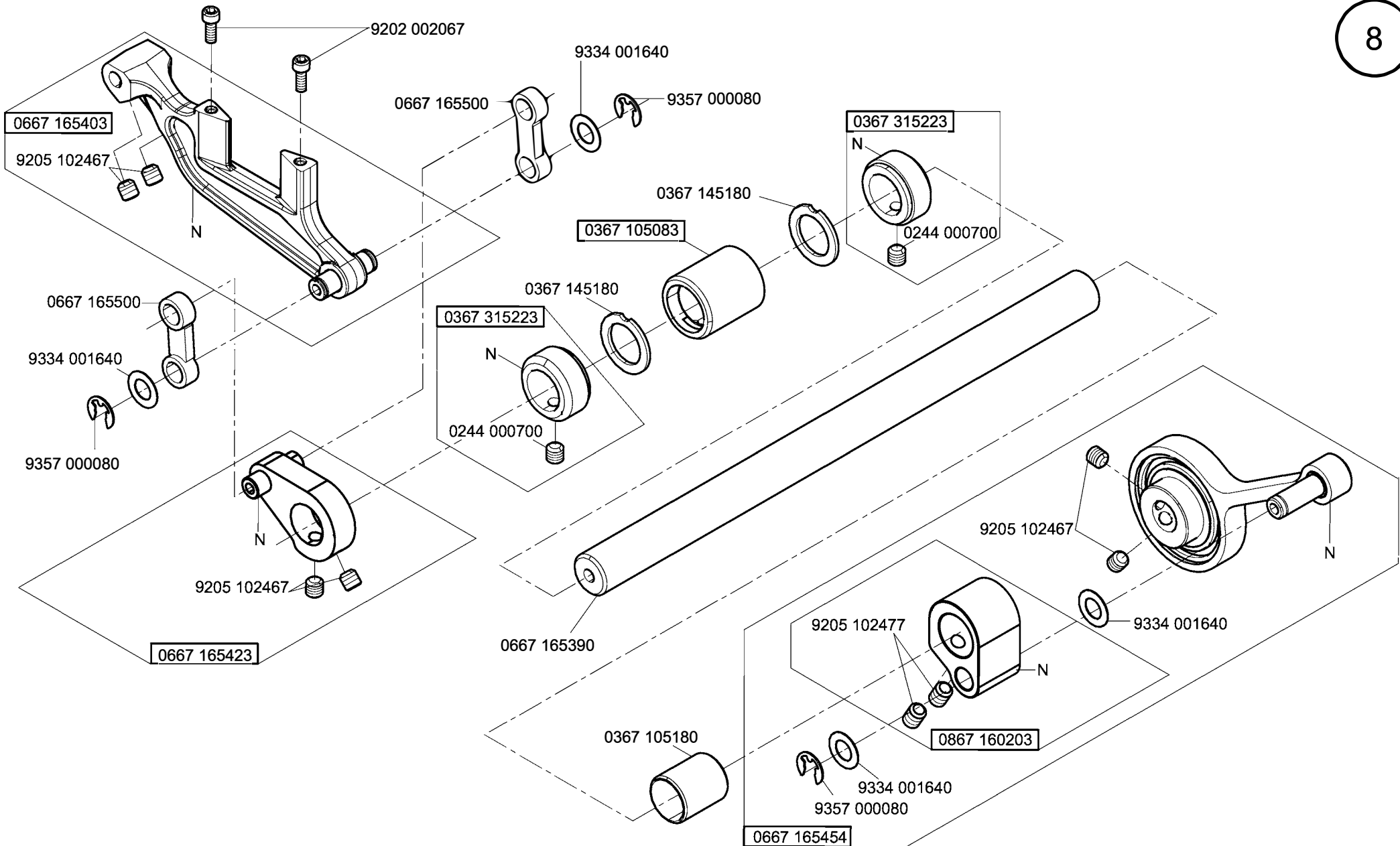
N – not available as separate part/不提供散件



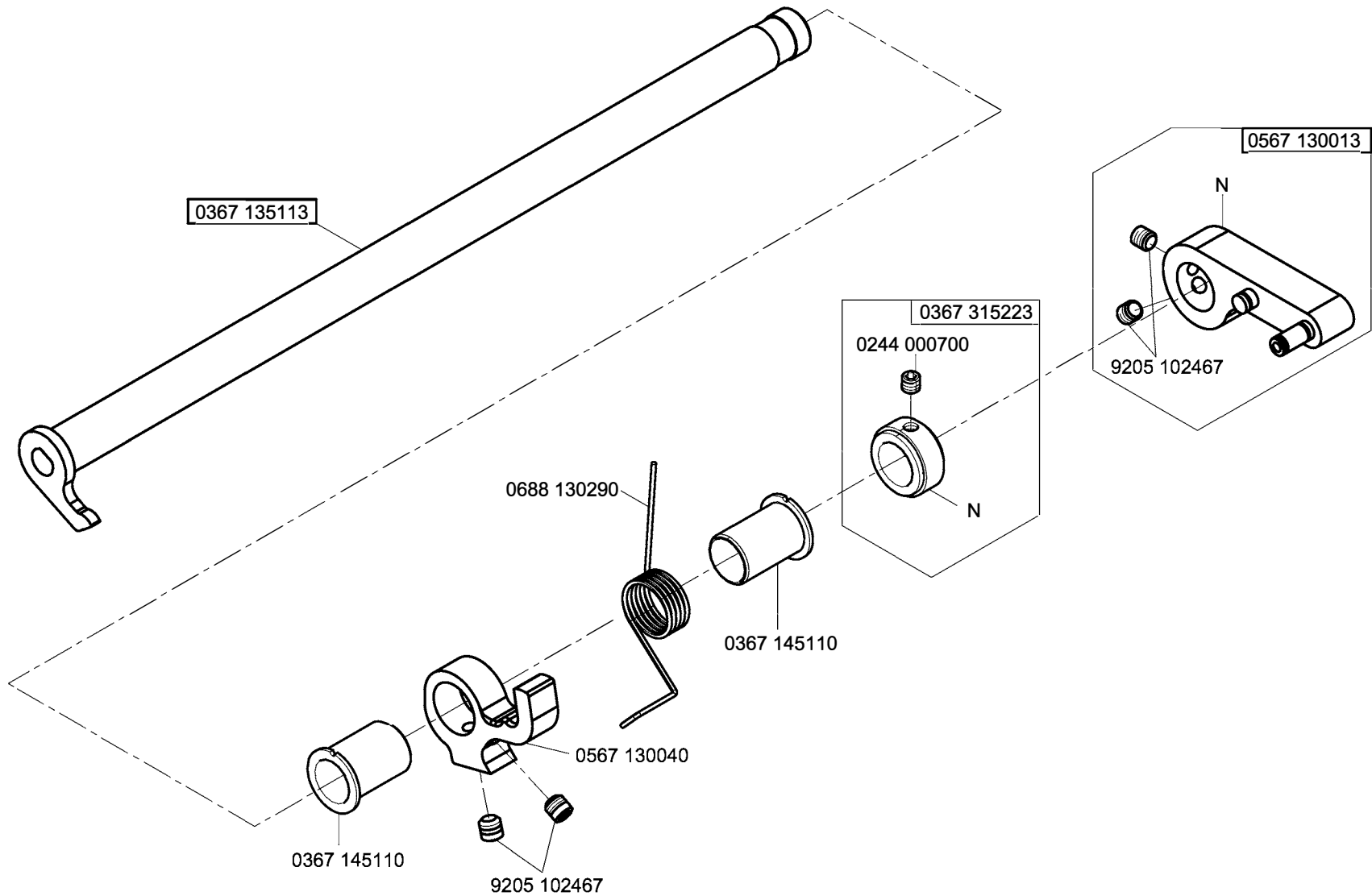
N – not available as separate part/不提供散件



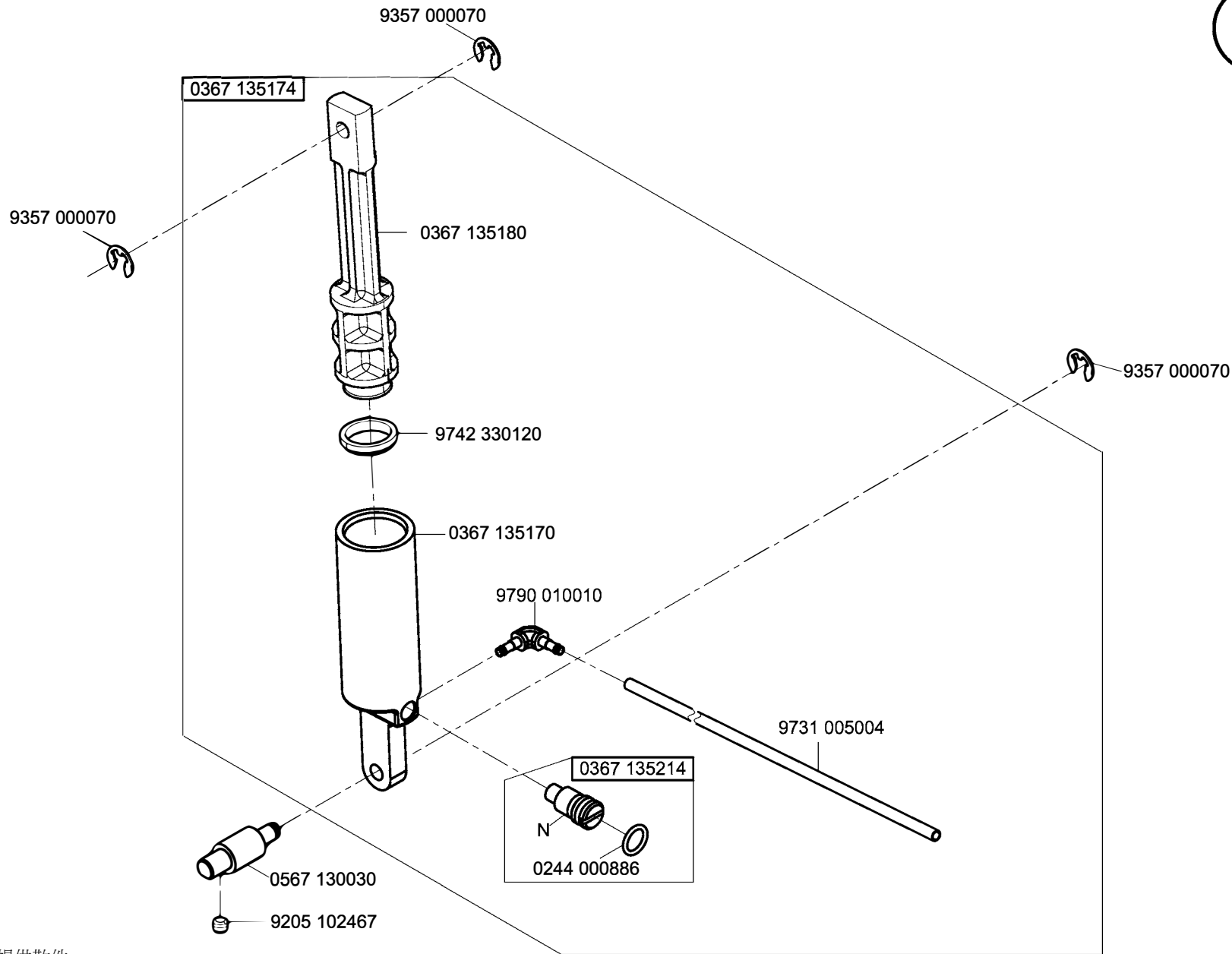
N – not available as separate part/不提供散件



N – not available as separate part/不提供散件

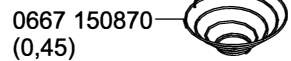


N – not available as separate part/不提供散件

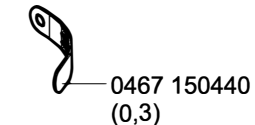
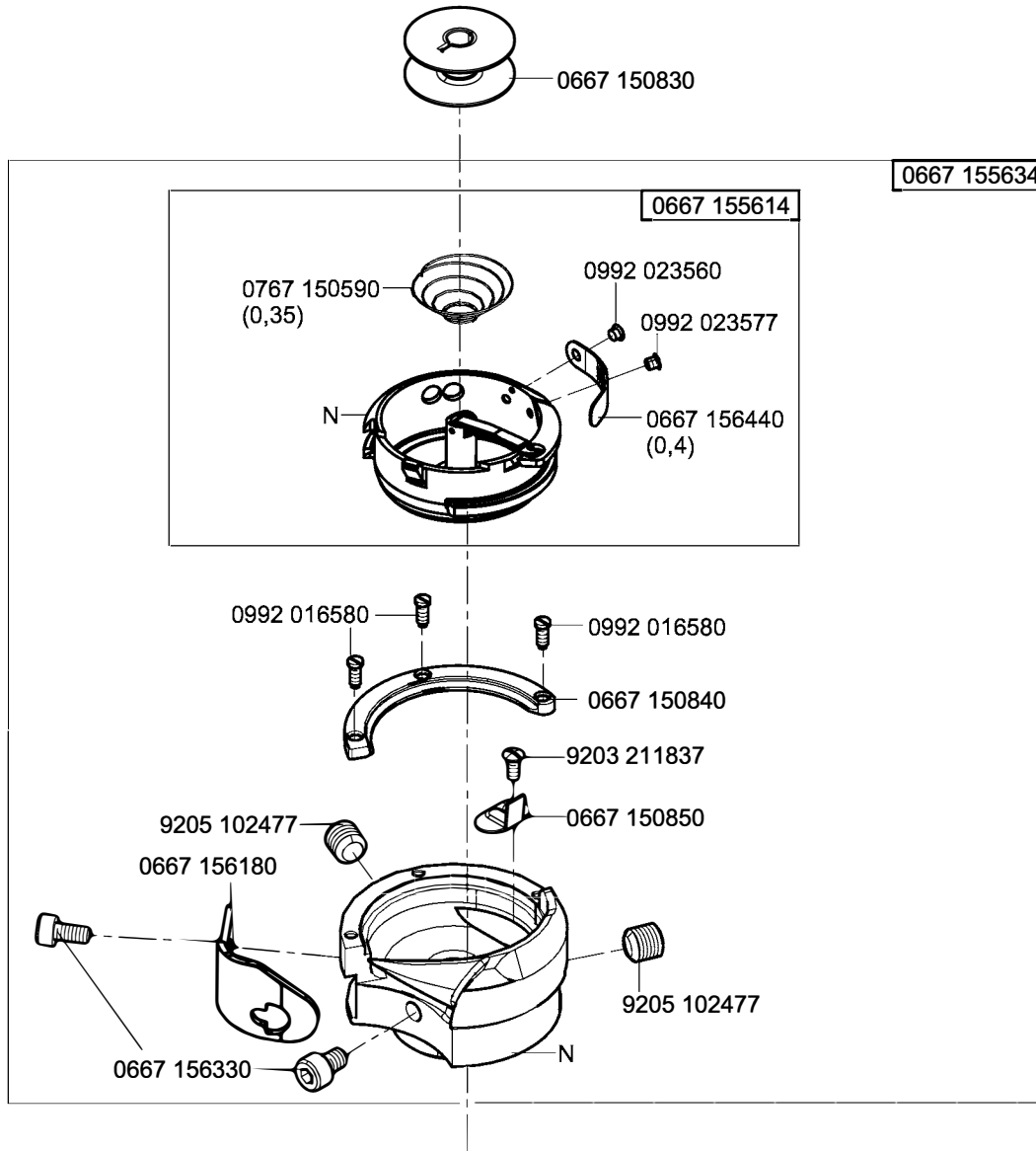


N – not available as separate part/不提供散件

on request
按要求

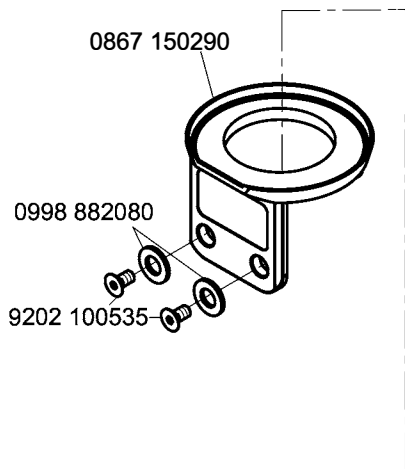


0667 150870
(0,45)



0467 150440
(0,3)

on request
按要求

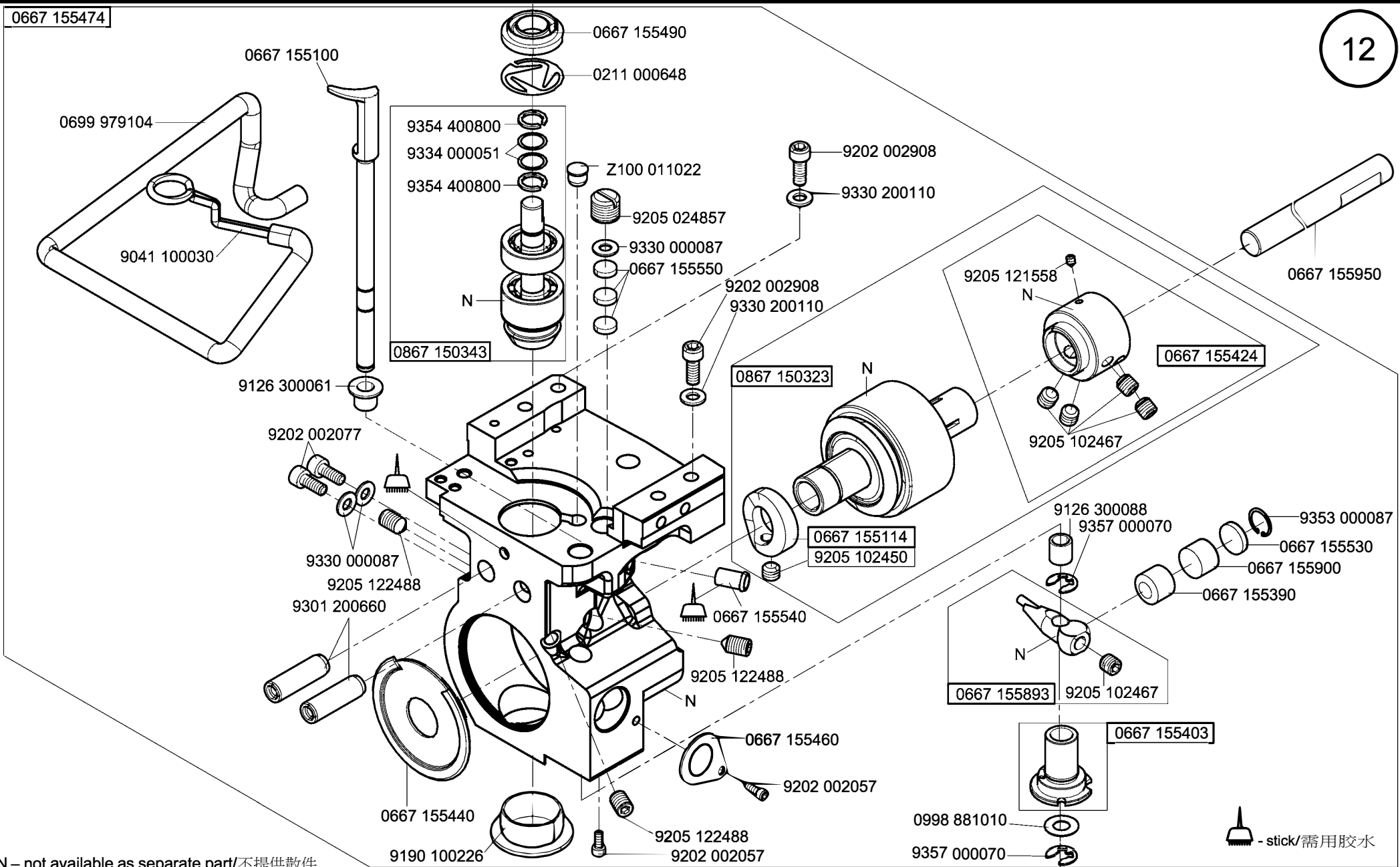


0667 156210



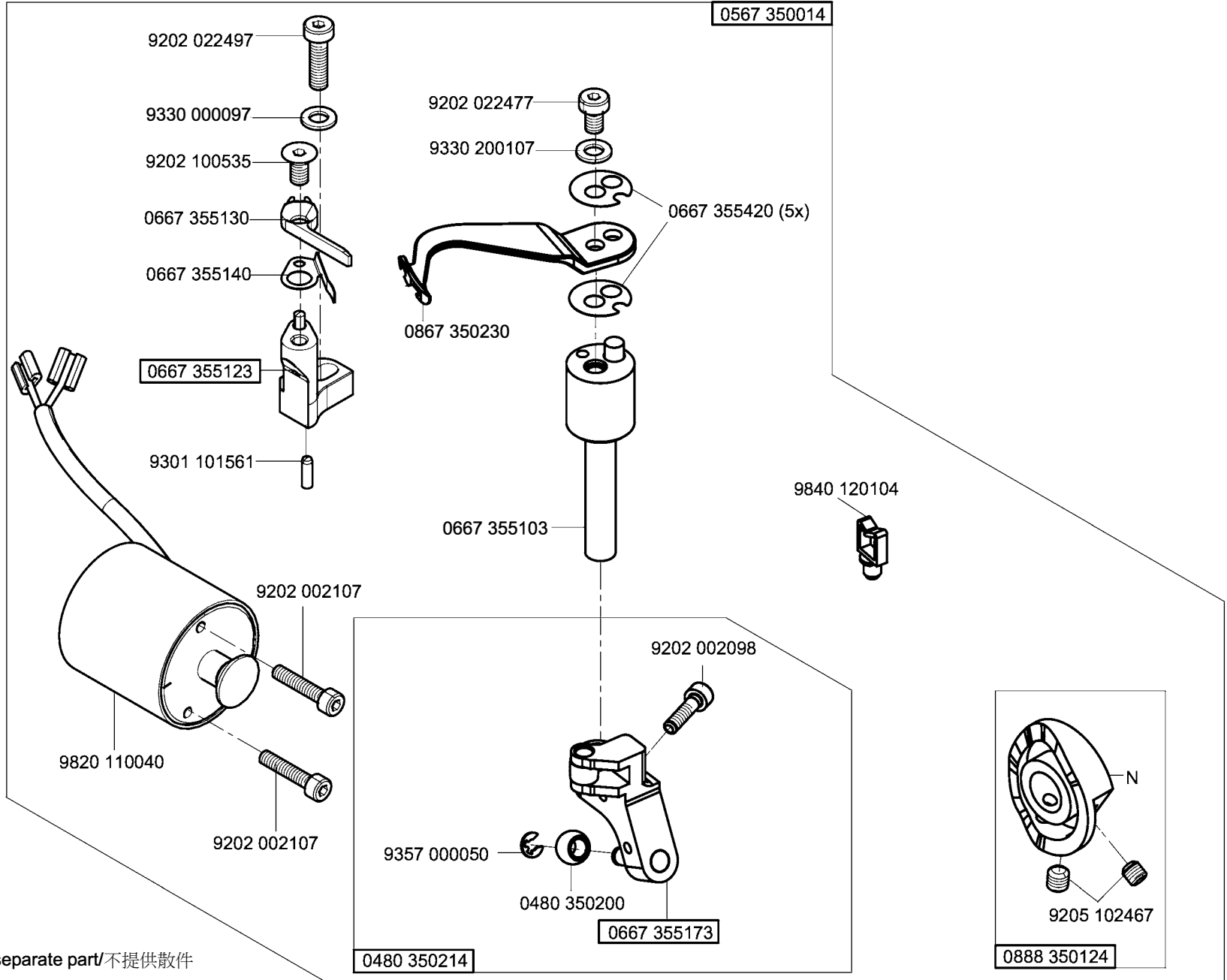
on request
按要求

N – not available as separate part/不提供散件

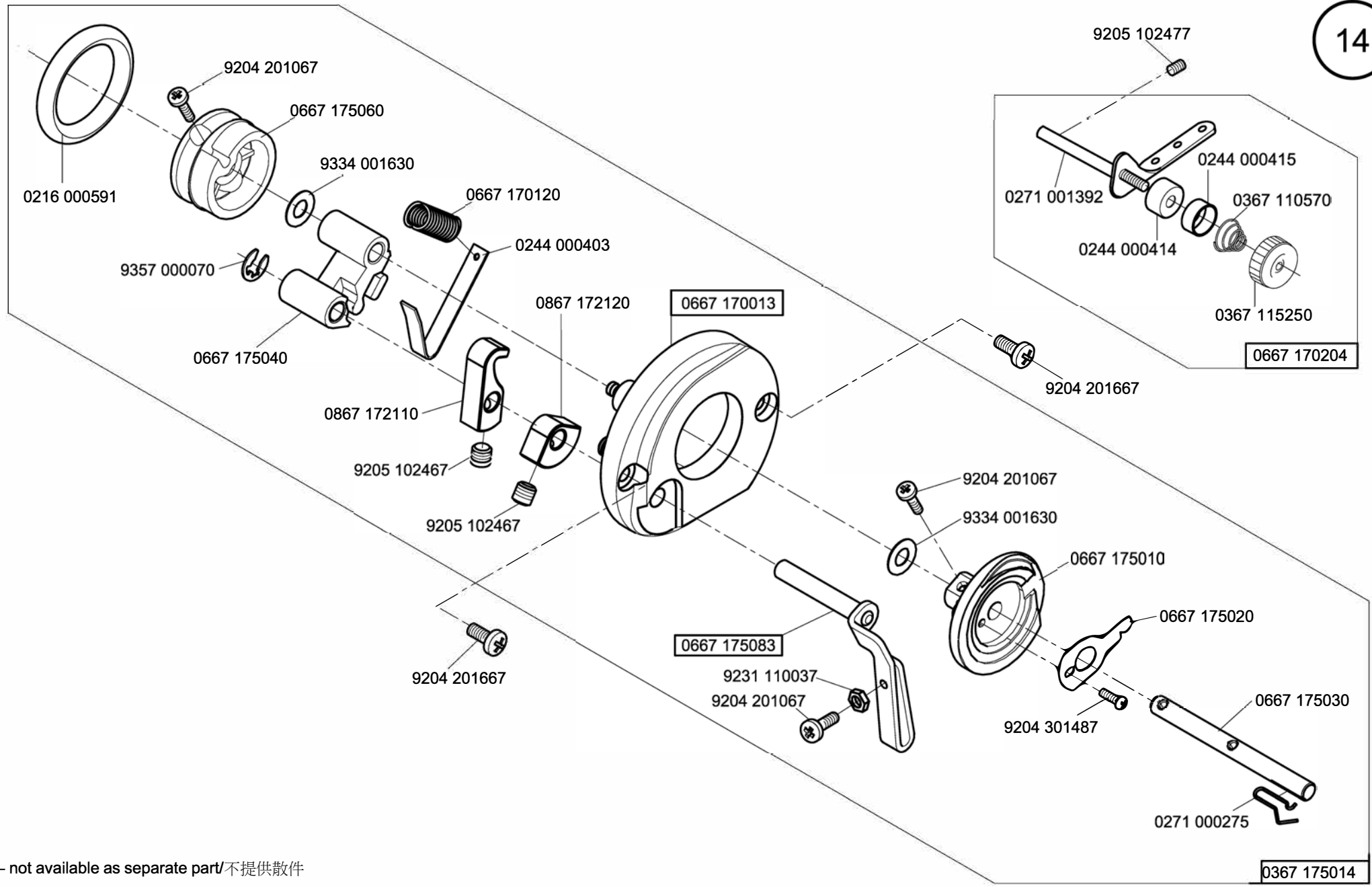


N – not available as separate part/不提供散件

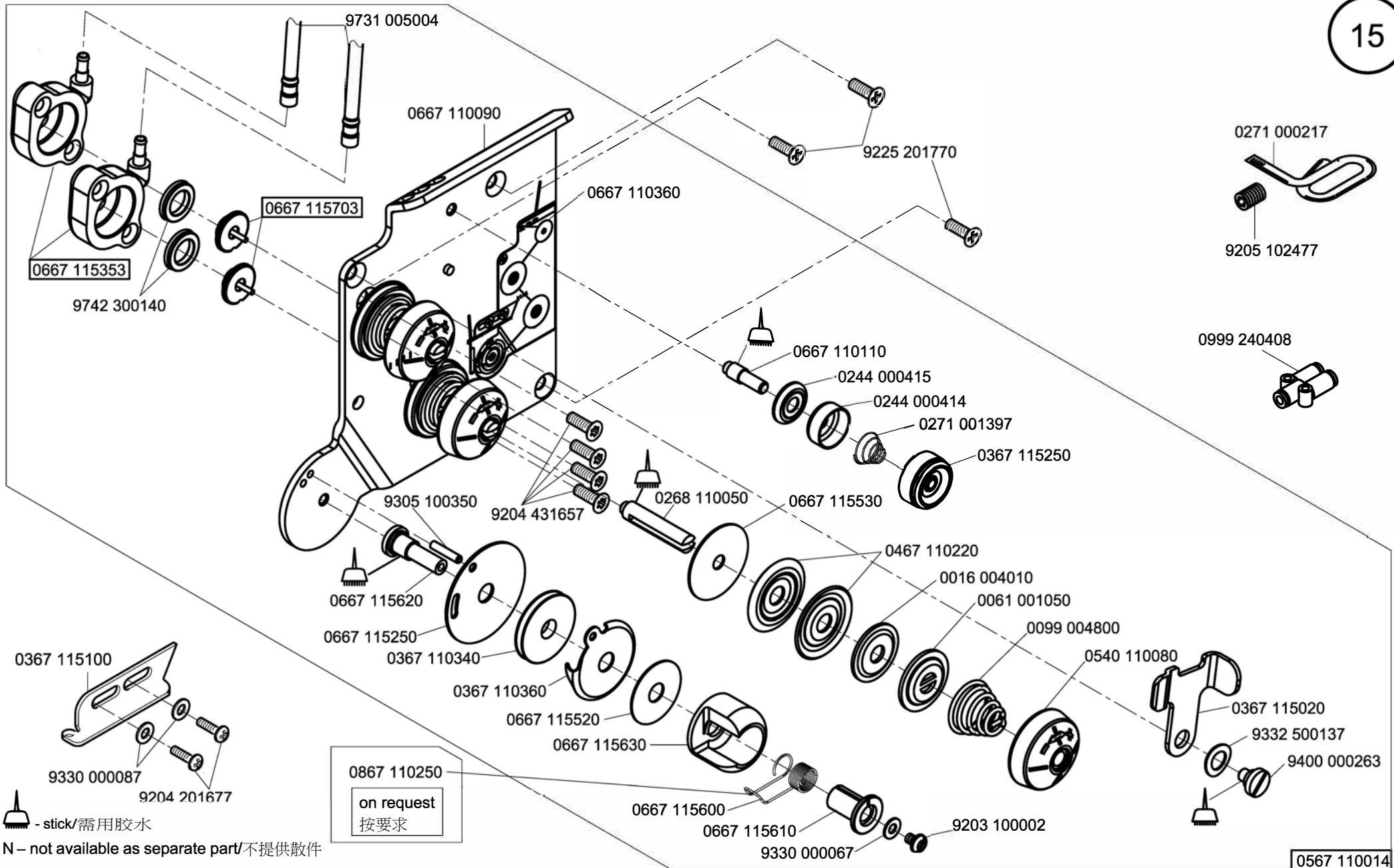
- stick/需用胶水



N – not available as separate part/不提供散件



N – not available as separate part/不提供散件



0667 115703

0667 115353

9731 005004

0667 110090

0667 110360

9225 201770

0271 000217

9205 102477

0999 240408

0667 110110

0244 000415

0244 000414

0271 001397

0367 115250

9305 100350

9204 431657

0268 110050

0667 115530

0467 110220

0016 004010

0061 001050

0099 004800

0667 115620

0667 115250

0367 110340

0367 110360

0667 115520

0667 115630

0016 004010

0061 001050

0099 004800

0540 110080

0367 115020

9332 500137

9400 000263

0367 115100

9330 000087

9204 201677

0867 110250

on request
按要 求

0667 115600

0667 115610

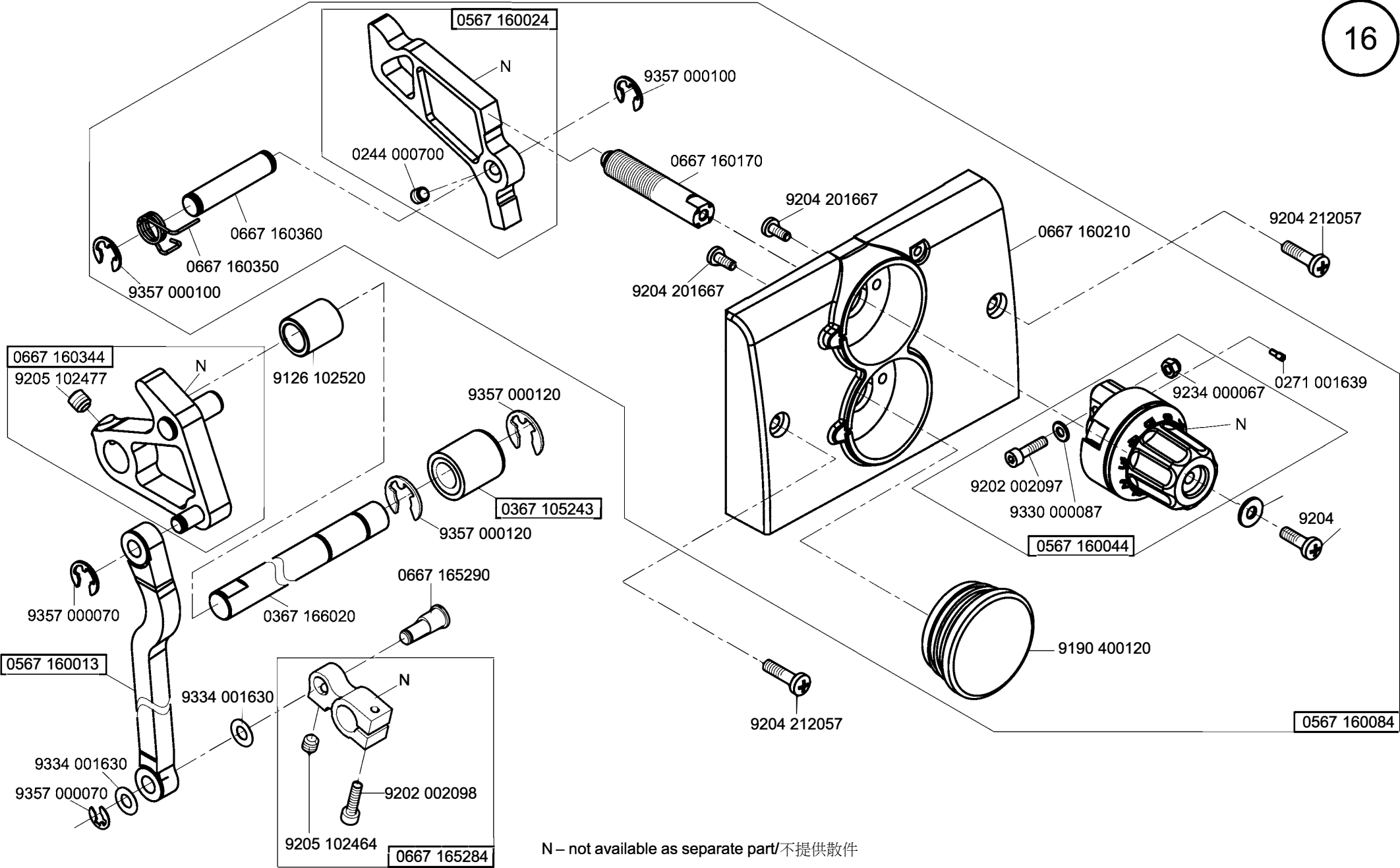
9330 000067

9203 100002

- stick/需用胶水

N - not available as separate part/不提供散件

0567 110014



N – not available as separate part/不提供散件

9870 367003 (3x)

9870 367002

9850 367001

9830 501011

9840 120030

9204 201667

9825 550001

9204 201667

9870 367005

9880 367003

9880 767004

9810 390402

0667 495330

9352 000060

9204 212057

9840 121002

0367 166084

9731 005004

0570 001847

9710 982003

9710 920012

0570 001847

9790 201000

9710 900035

9710 900011

9710 061200

9204 200447

9204 200517

9204 302217

0367 166070

9731 005004

9202 002077

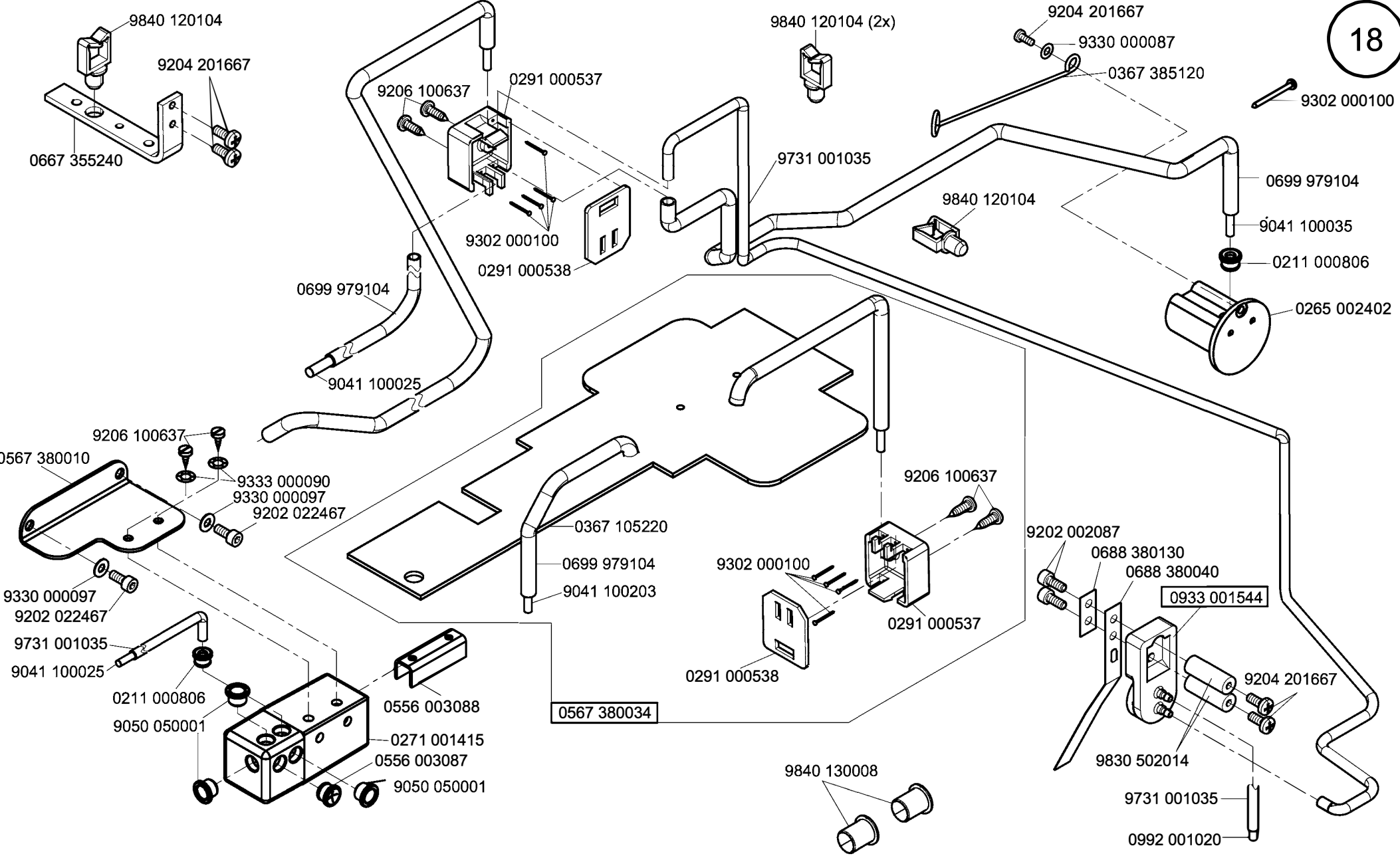
9330 000067

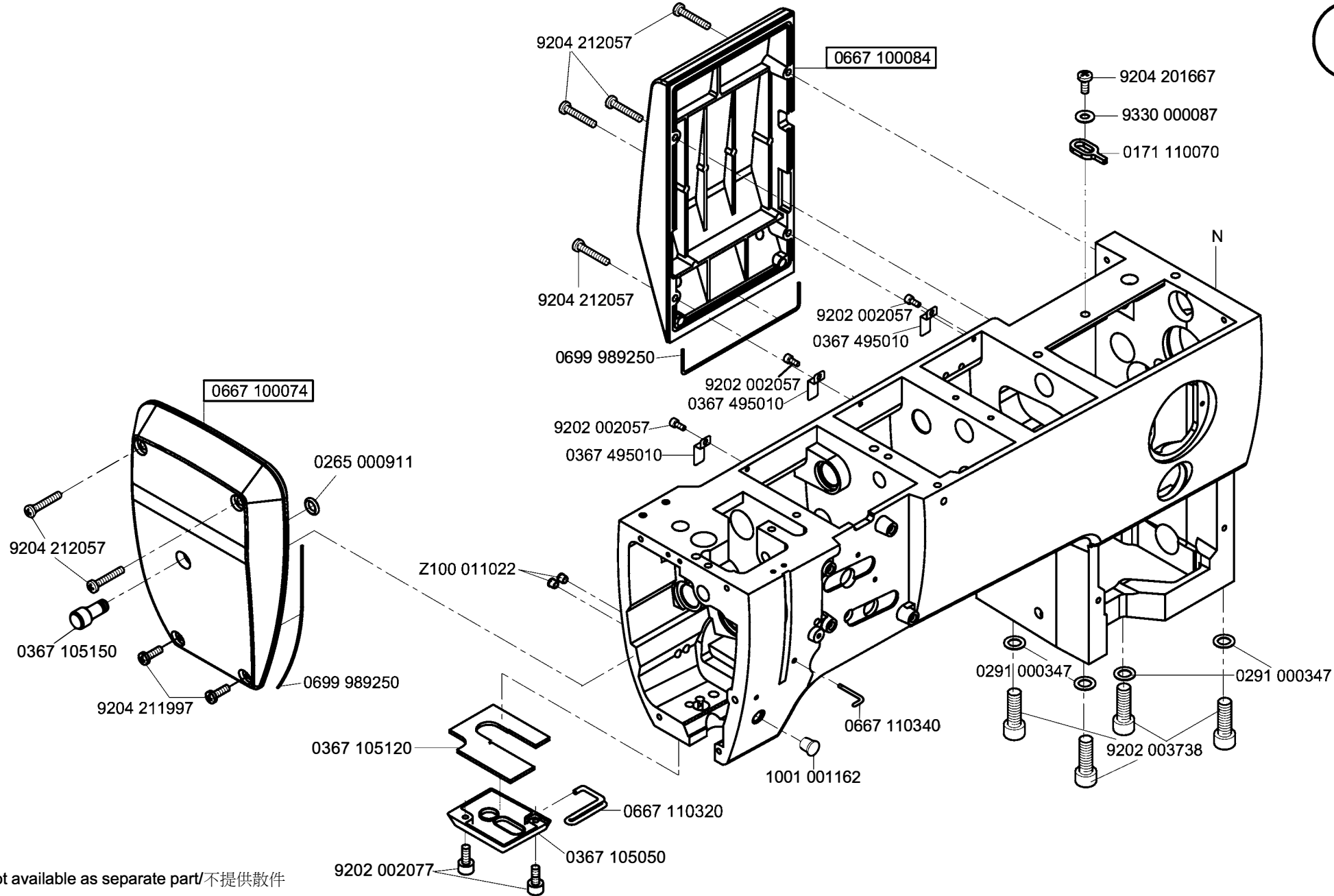
9790 201000

9203 003067

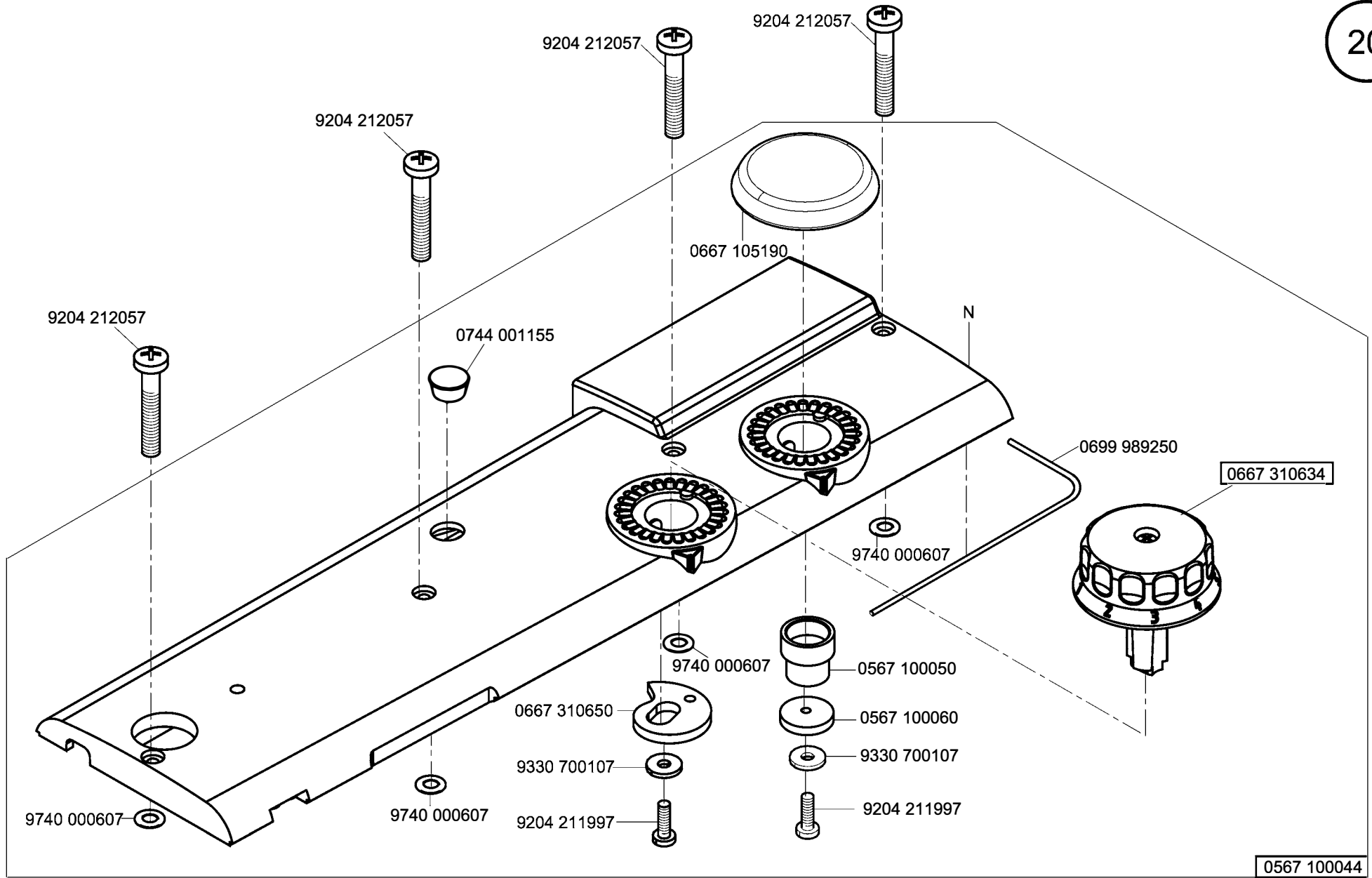
9700 100100

9202 002077



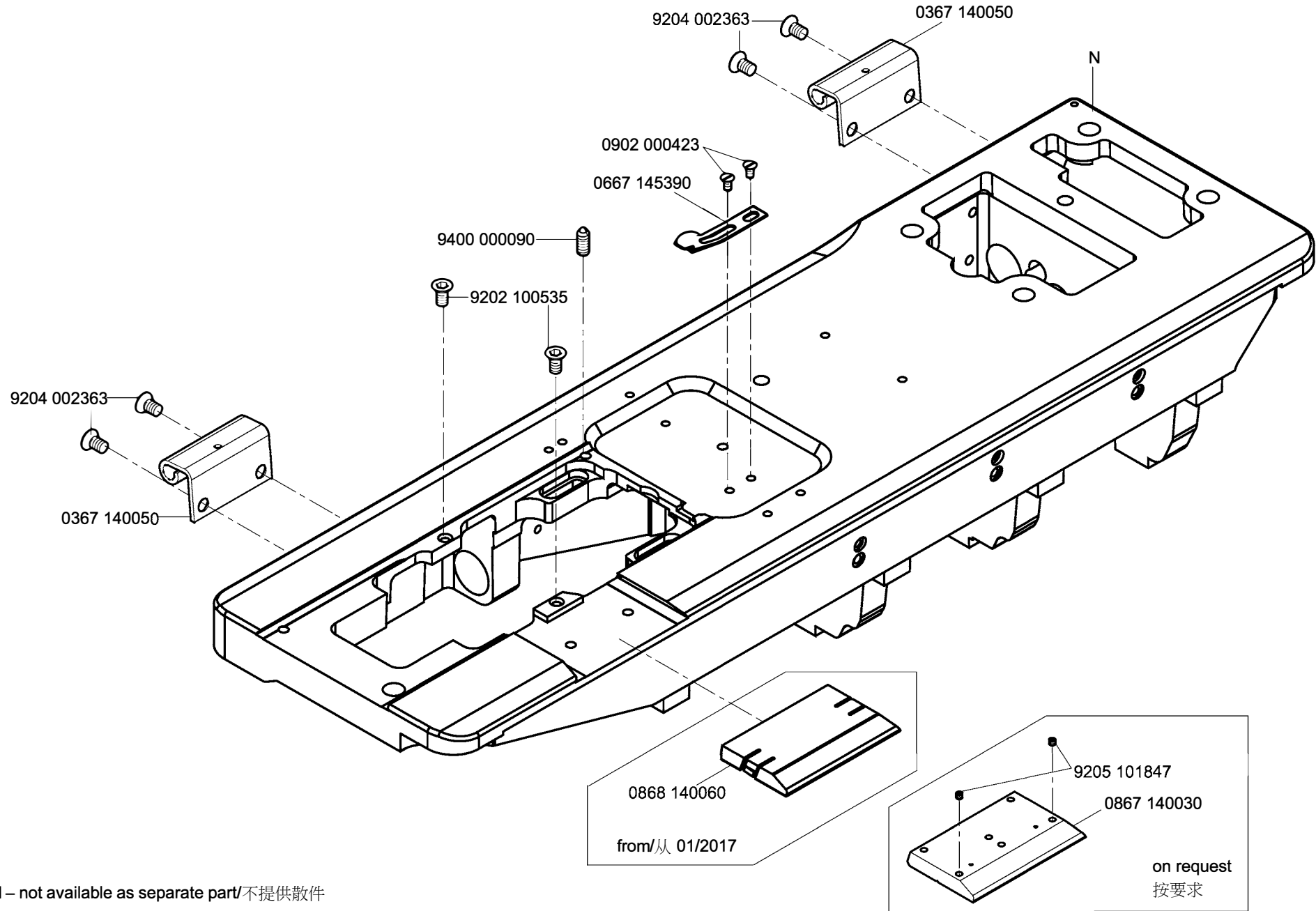


N – not available as separate part/不提供散件

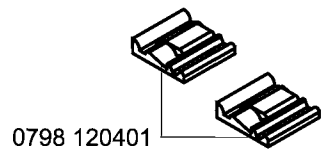


0567 100044

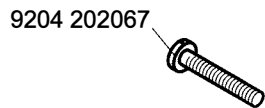
N – not available as separate part/不提供散件



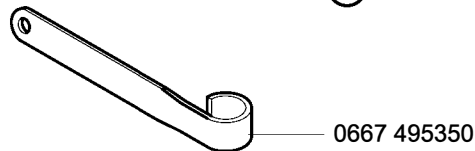
N – not available as separate part/不提供散件



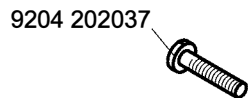
0798 120401



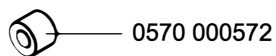
9204 202067



0667 495350



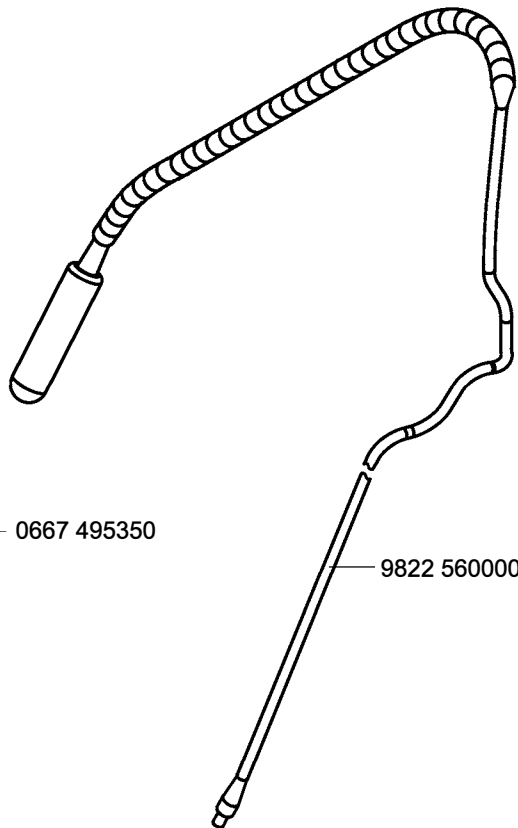
9204 202037



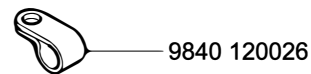
0570 000572



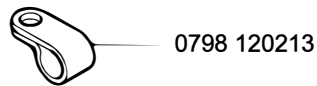
9207 170227



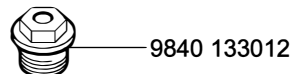
9822 560000



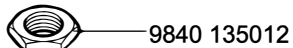
9840 120026



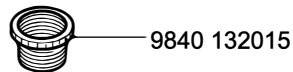
0798 120213



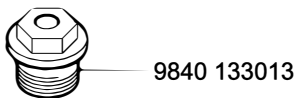
9840 133012



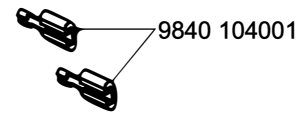
9840 135012



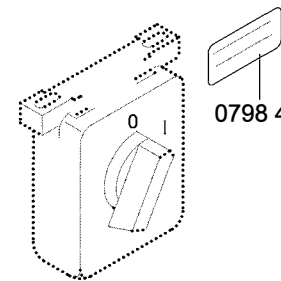
9840 132015



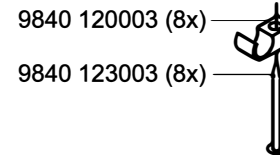
9840 133013



9840 104001

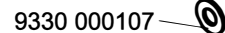


0798 447914

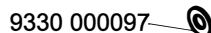


9840 120003 (8x)

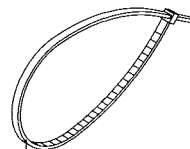
9840 123003 (8x)



9330 000107

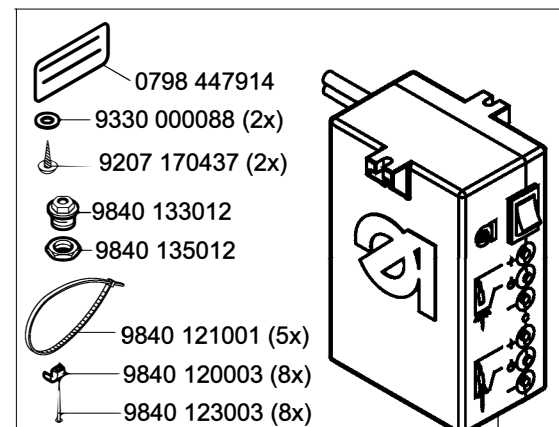


9330 000097



9840 121001 (5x)

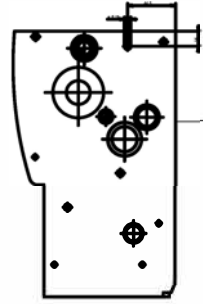
9880 867103



9850 001089

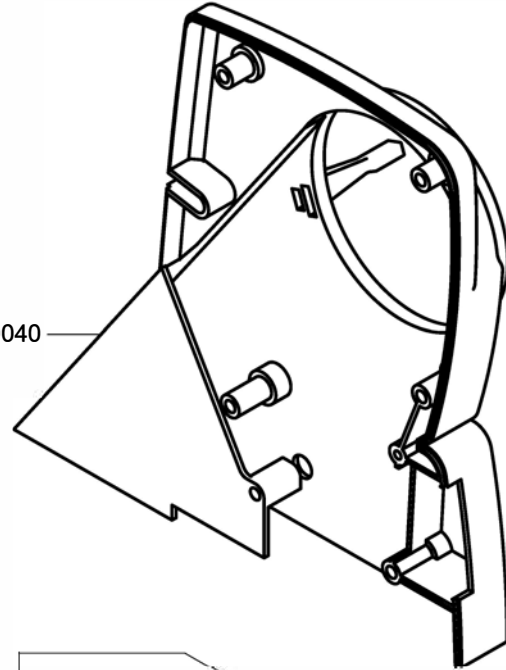
9850 001083

0367 595084



0367 165990

0667 100040



0578 000868



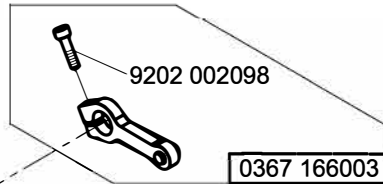
0667 165220



0367 166020

0367 165960

0667 165570



9202 002098

0367 166003

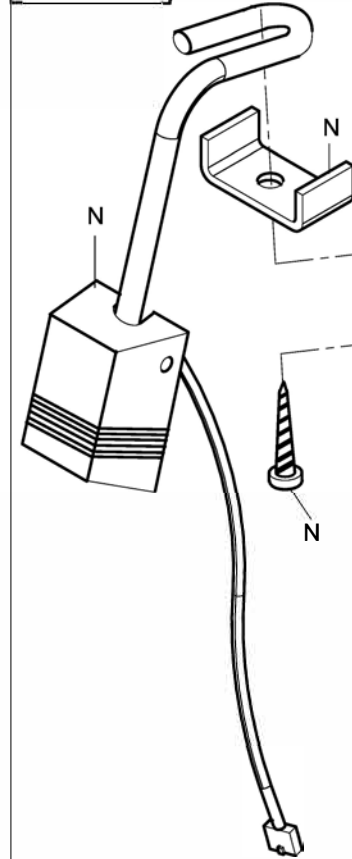
0367 165980

0994 271360

9204 201667

9880 867120

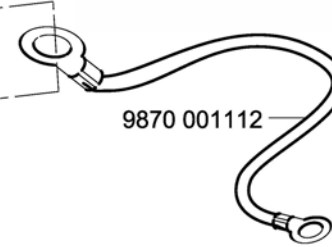
9880 002005



9840 120025



9870 001112

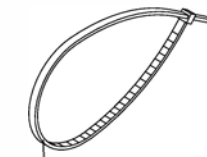


9840 120003 (4x)

9840 123003 (4x)



9840 121001 (5x)



N – not available as separate part/不提供散件

9204 201657 (3x)

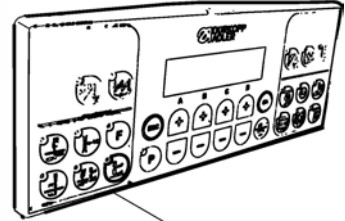
9207 170437 (9x)

9840 120060

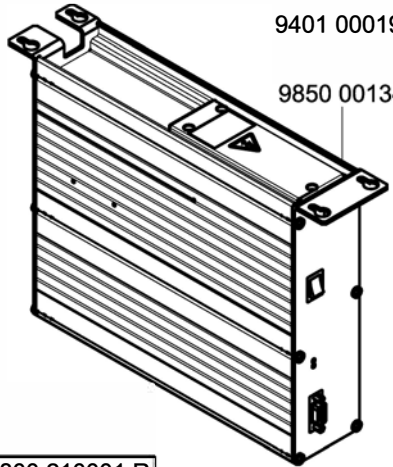
9840 120003 (2x)

9840 123002 (2x)

9880 001005



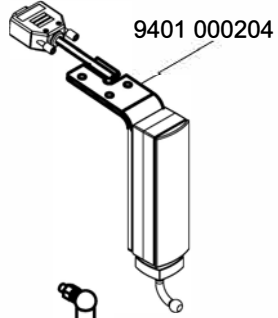
9850 001311



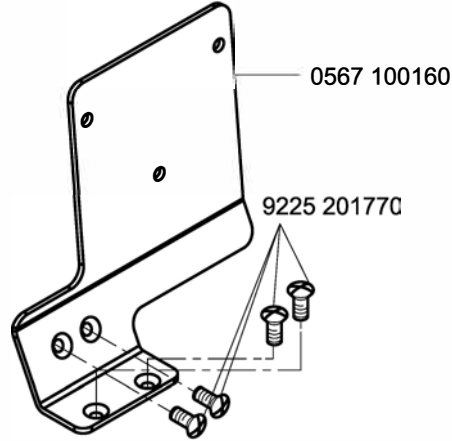
9401 000194

9850 001340

9800 210001 R



9401 000204



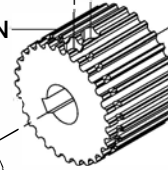
0567 100160

9225 201770

0667 145094

9205 102477

N



9354 010210

9330 000097

9202 002497

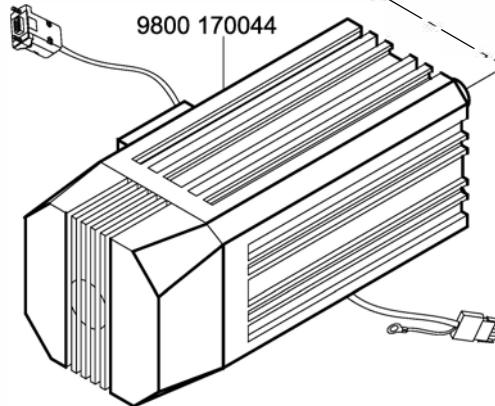
9330 000107

9201 113317

9303 502990

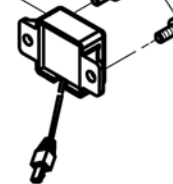
0688 140060

9800 170044



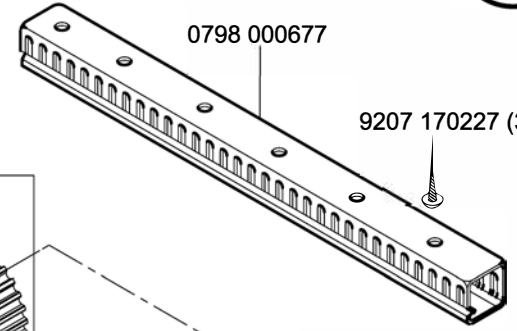
9204 201657

9850 001309



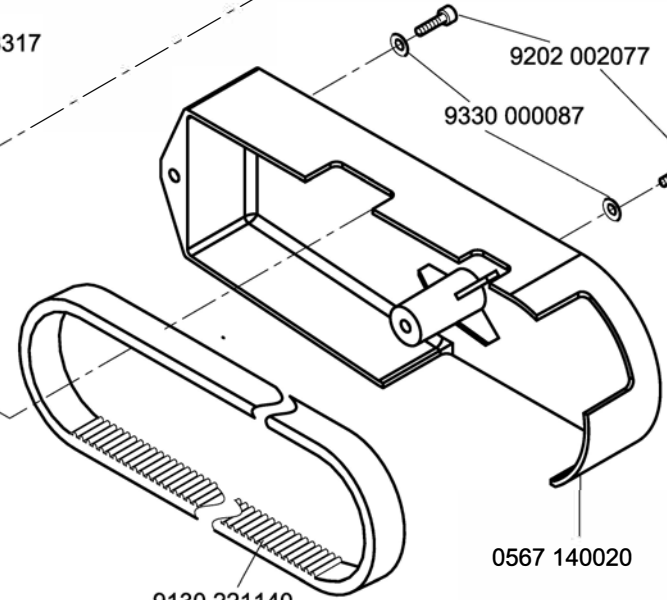
0798 000677

9207 170227 (3x)



9202 002077

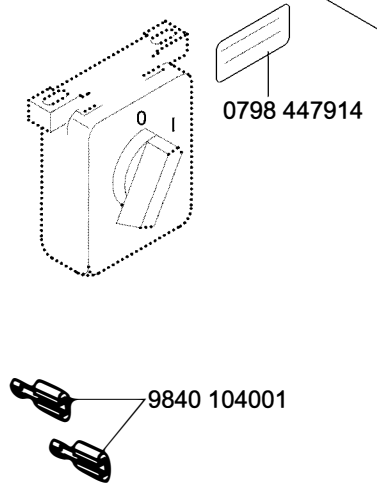
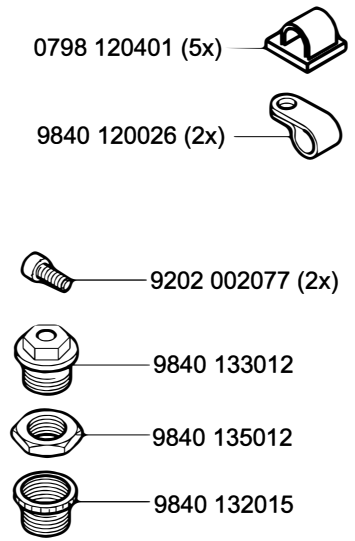
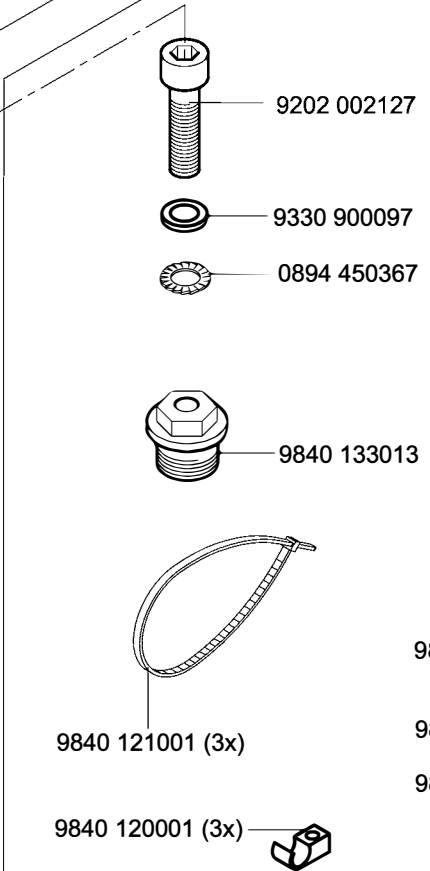
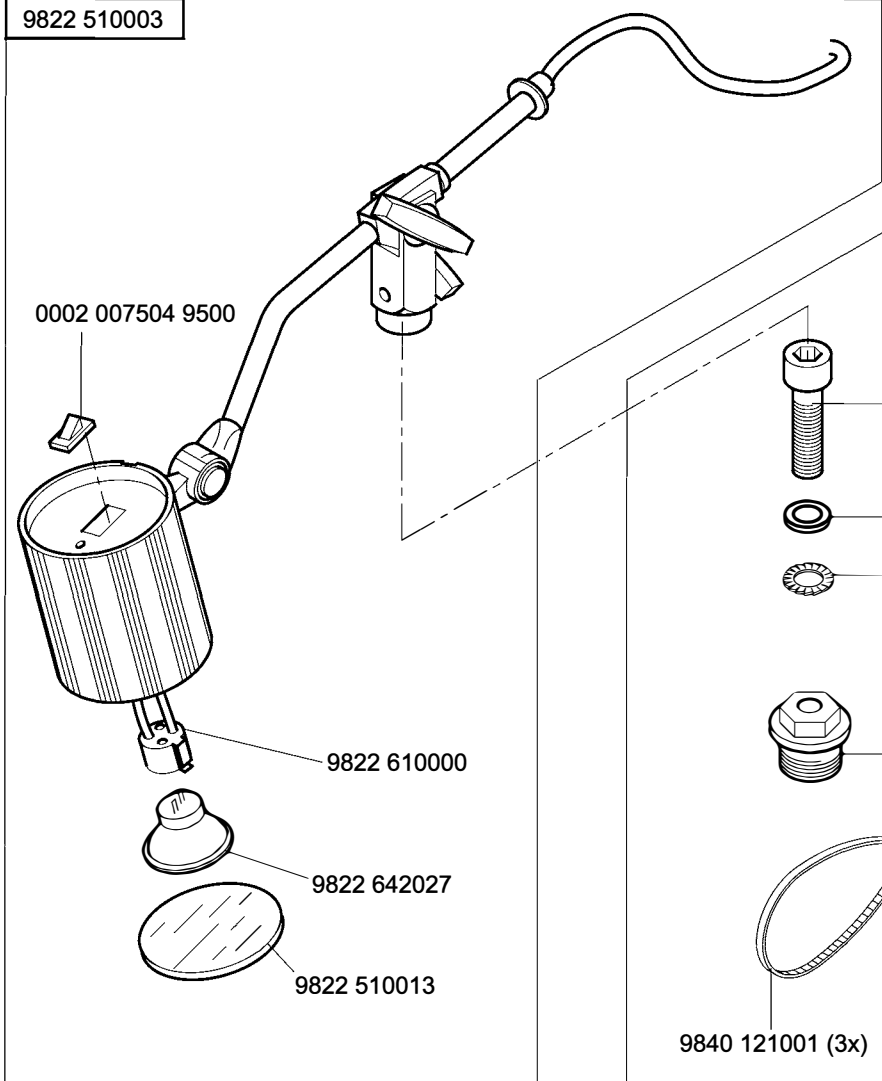
9330 000087



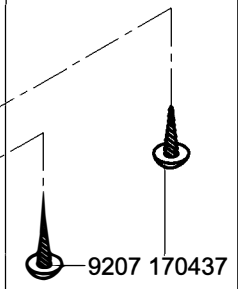
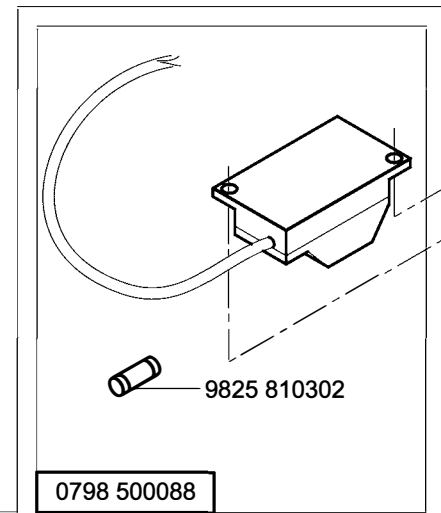
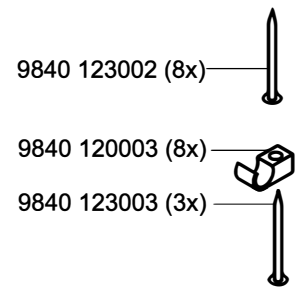
0567 140020

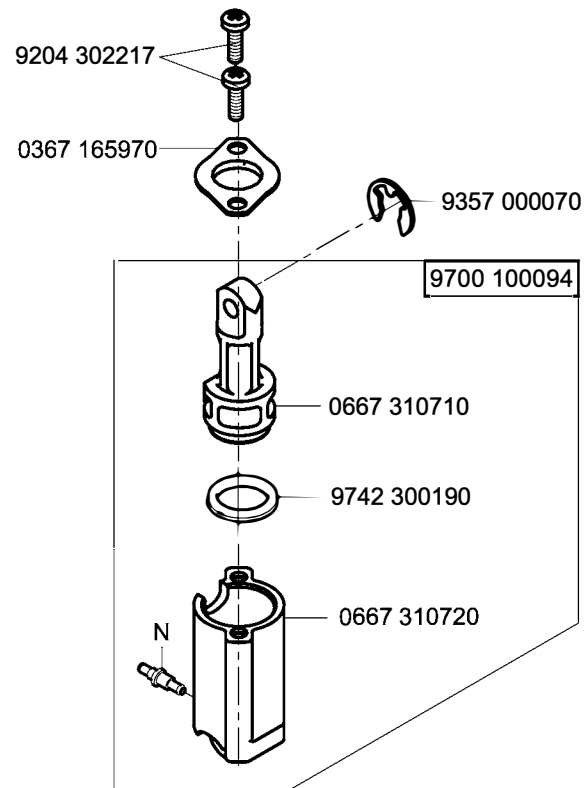
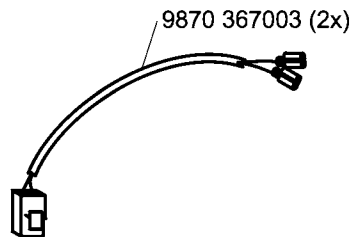
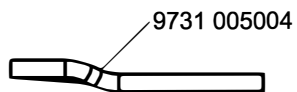
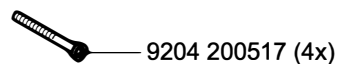
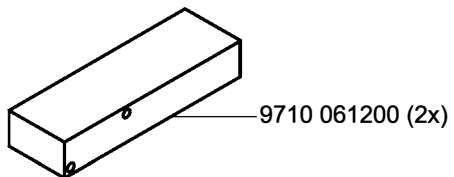
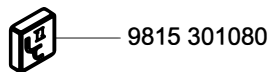
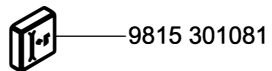
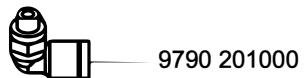
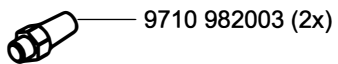
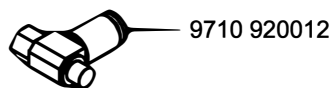
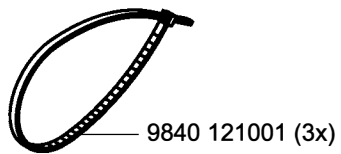
9130 221140

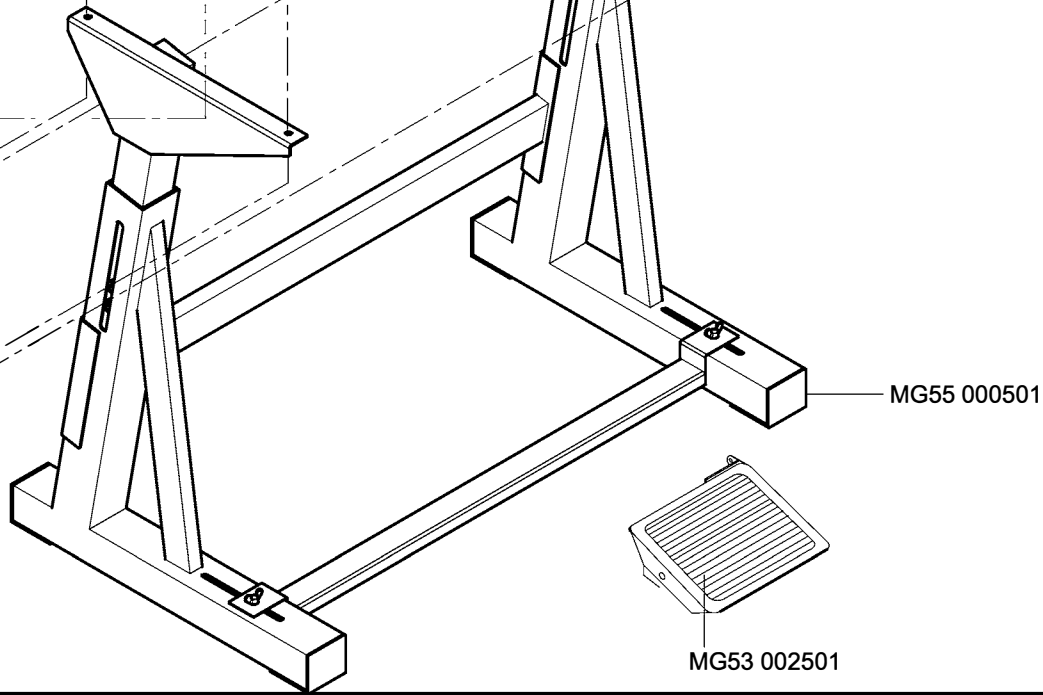
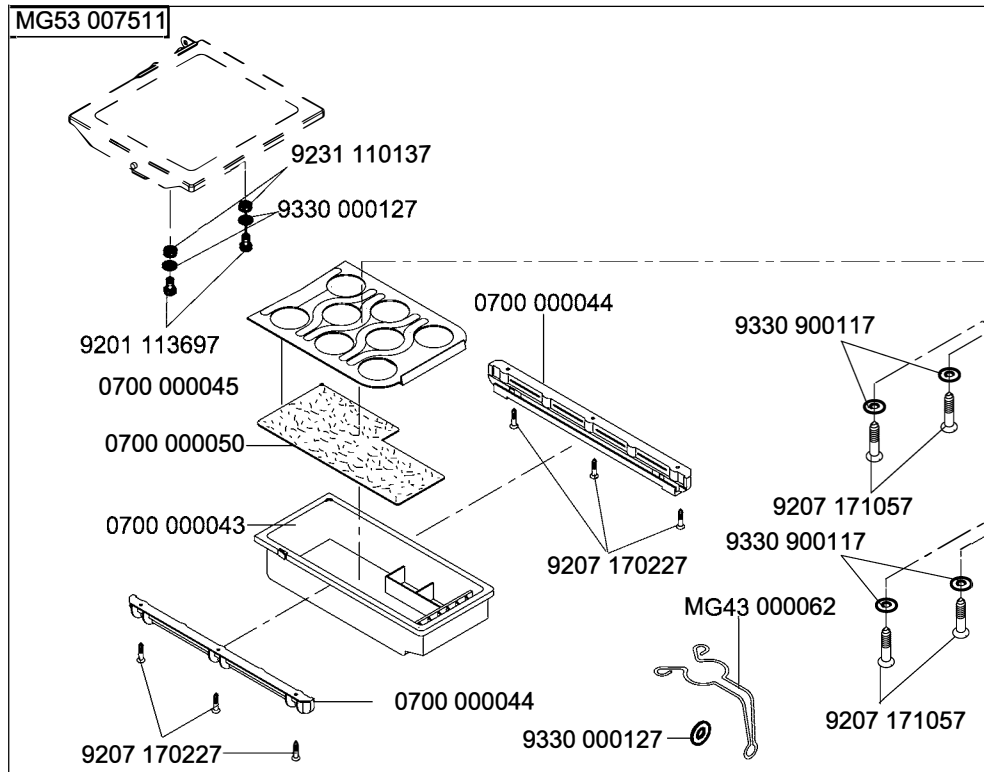
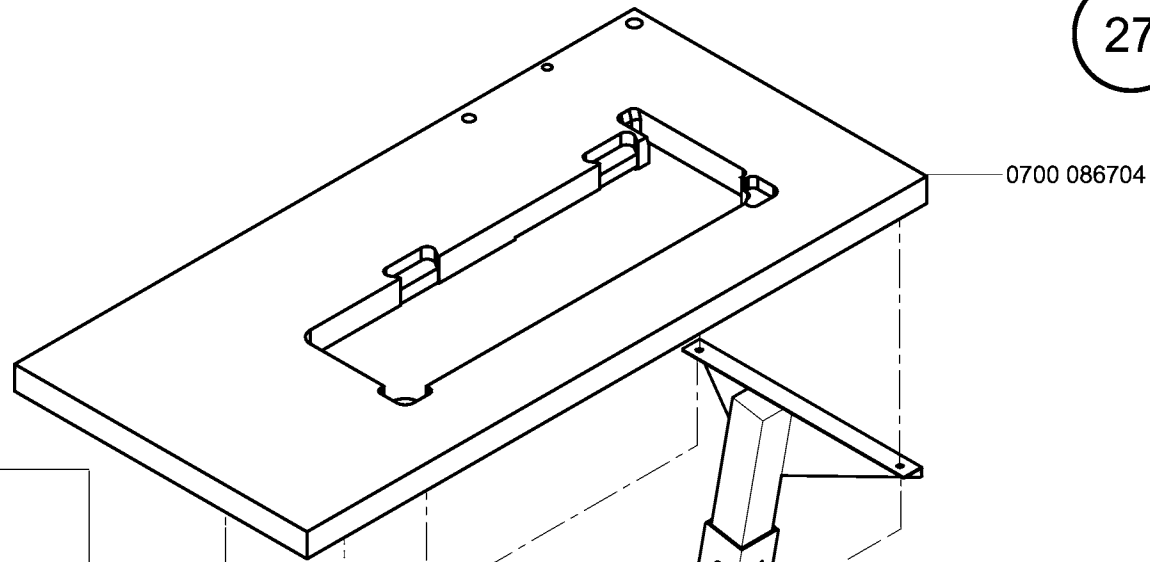
N – not available as separate part/不提供散件

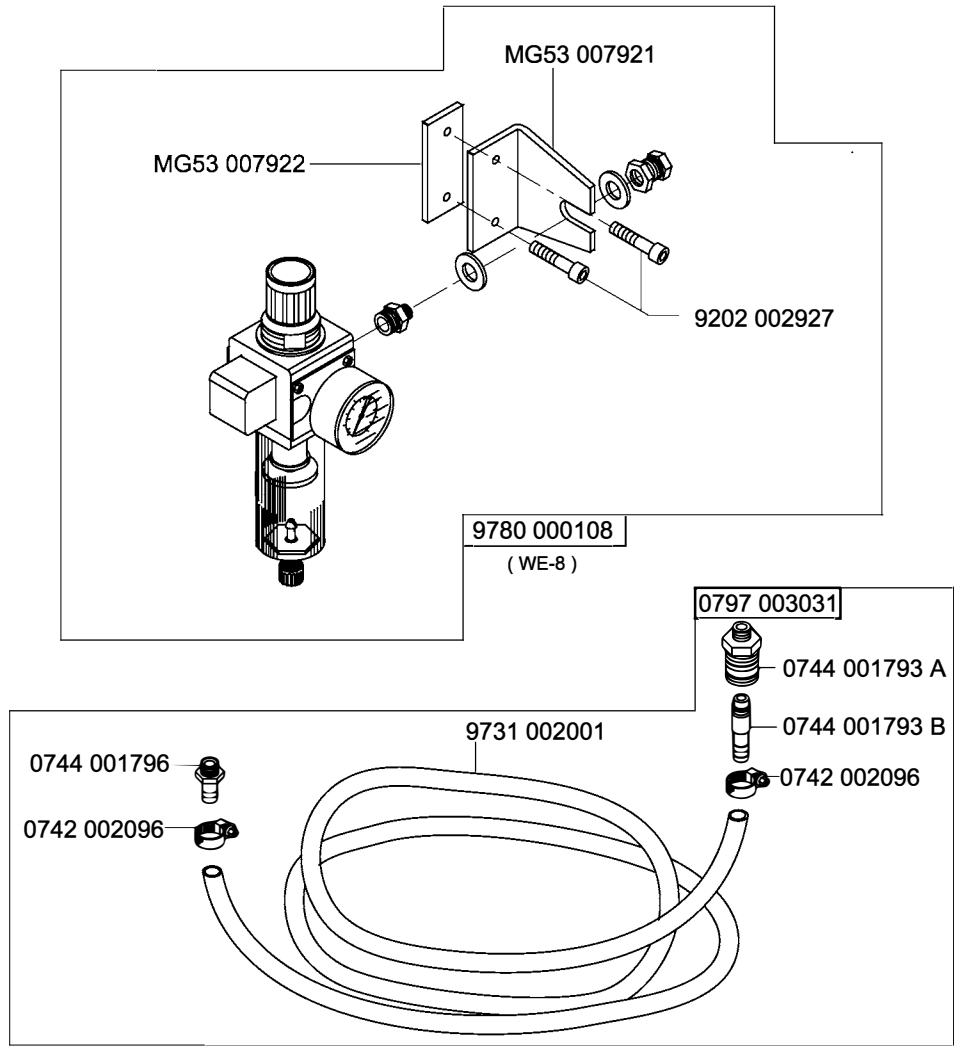


0907 487519









on request
按要求

0791 001096

9840 121001 (3x)

0211 000699

9204 212057

0077 110230

0791 580100

0396 111320

0700 000091

0700 000090 (2x)

9204 212057

0367 105040

0791 001094

DÜRKOPP ADLER AG

0104 250010

0667 105280 (1x)

9790 201001

9207 161237 (4x)

0791 001081

0995 340617

9330 000177

0995 340617

0281 380114

0367 105260

9081 100203

9081 200303

0367 105950

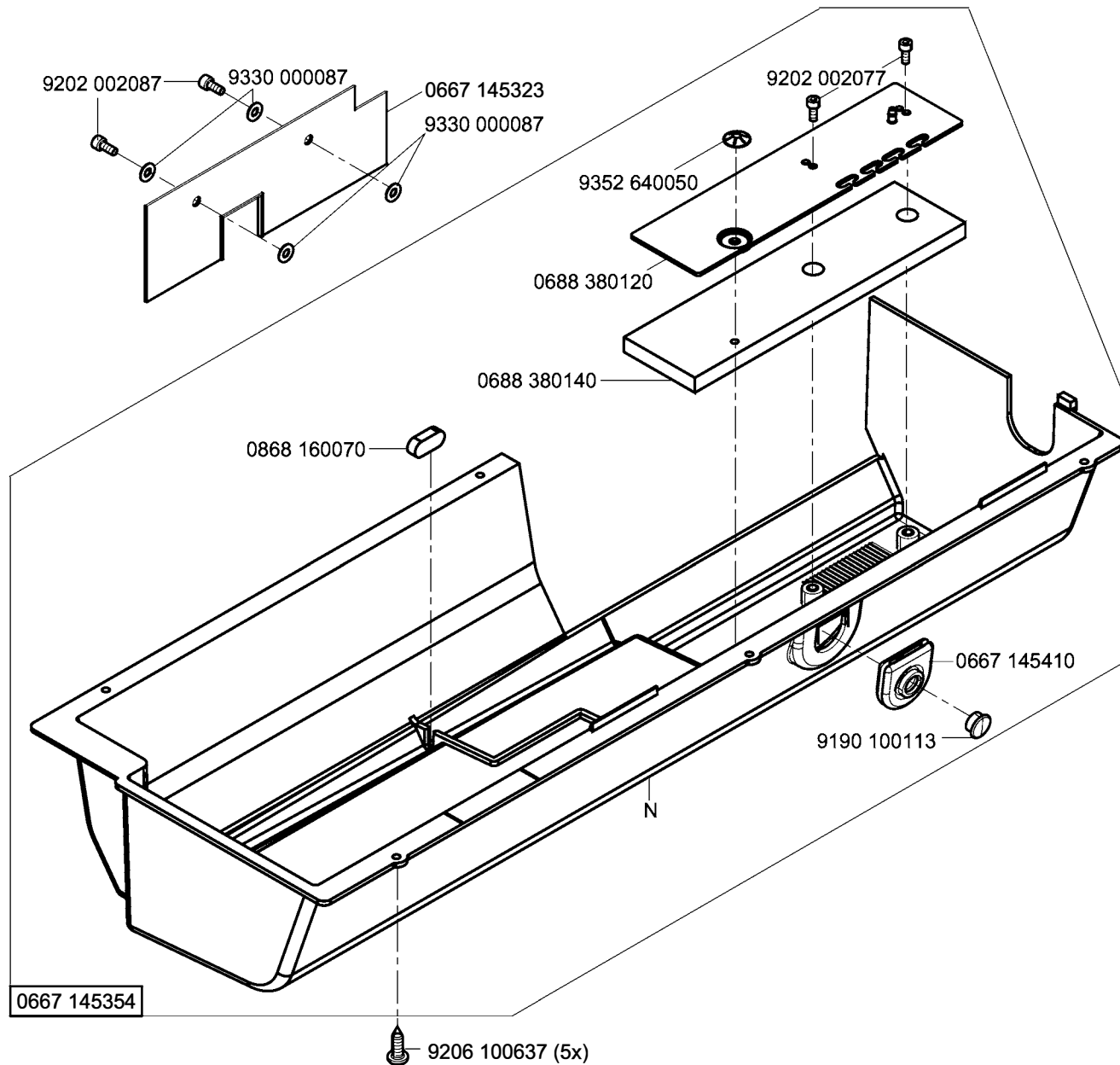
9333 000090

0999 201114

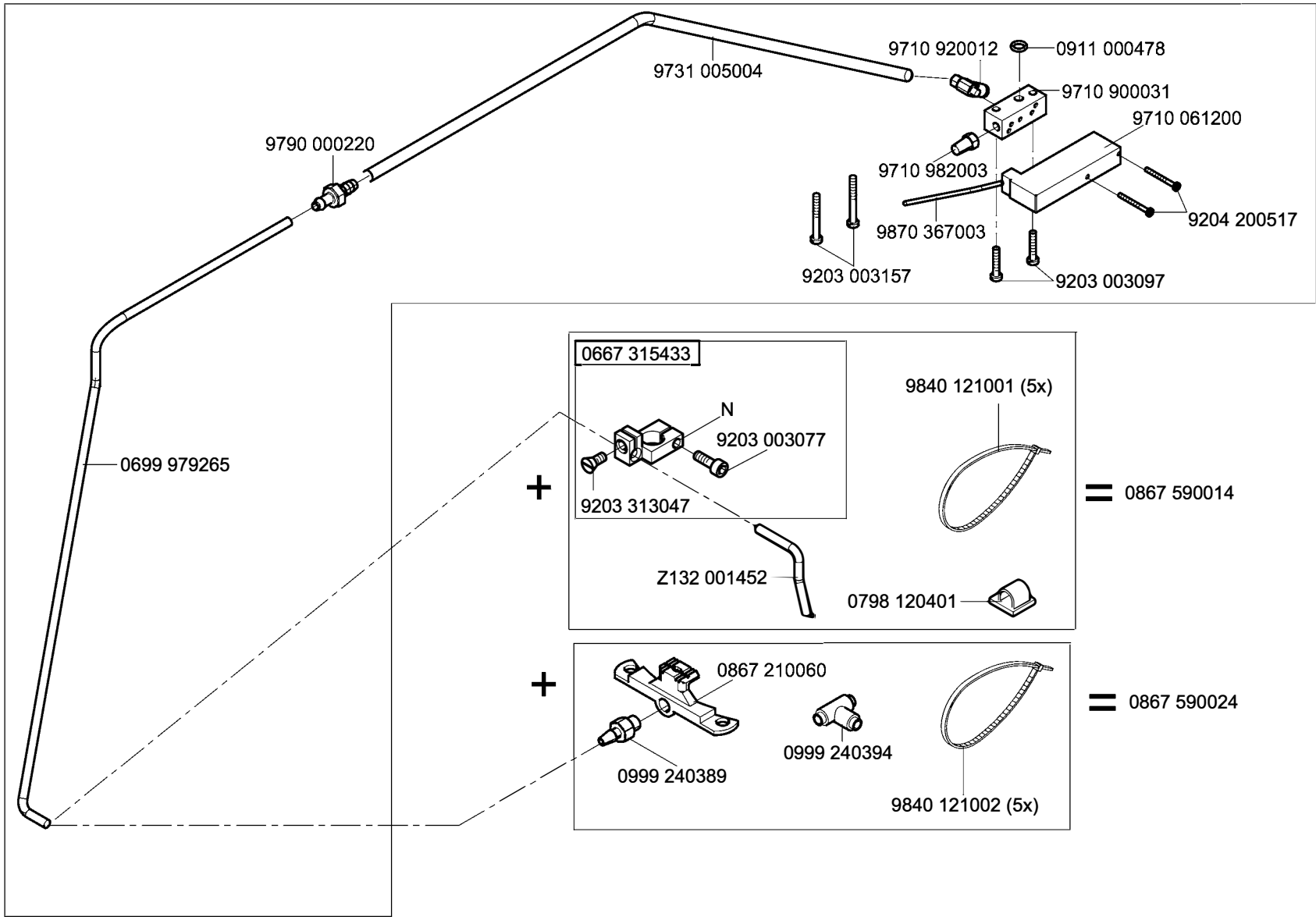
9203 003657

9870 001113

N – not available as separate part/不提供散件

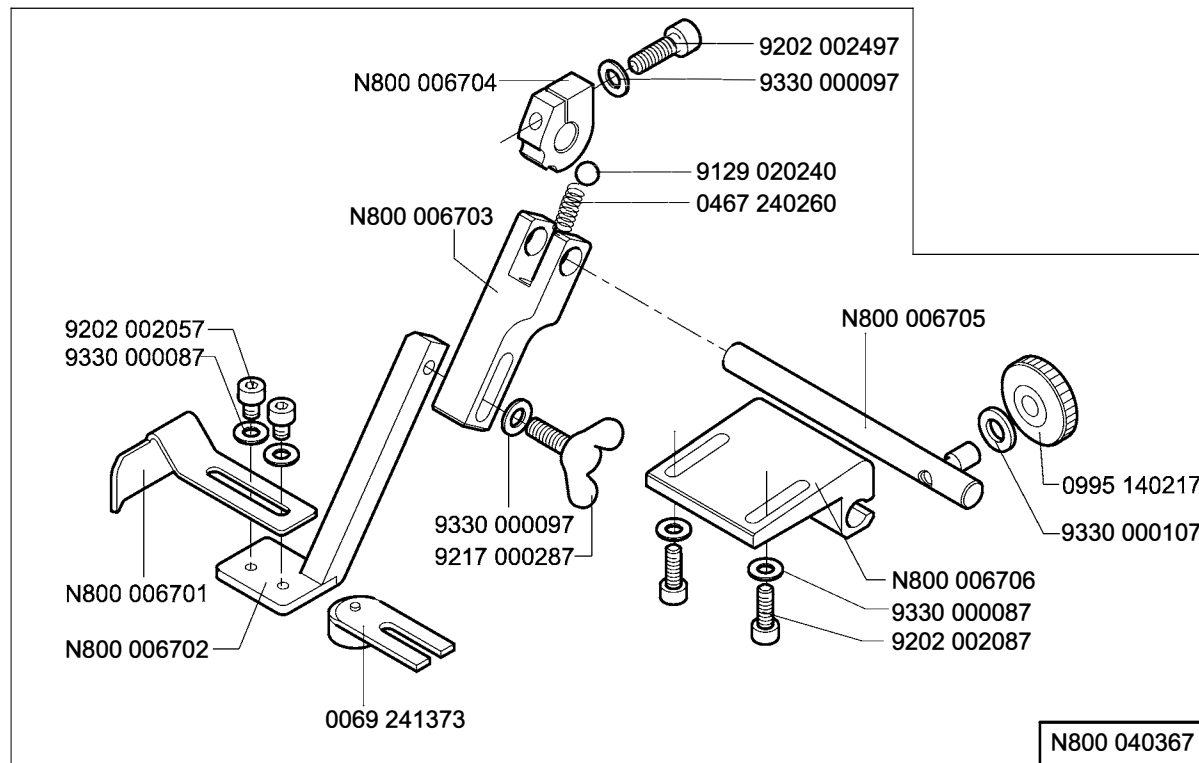


N – not available as separate part/不提供散件

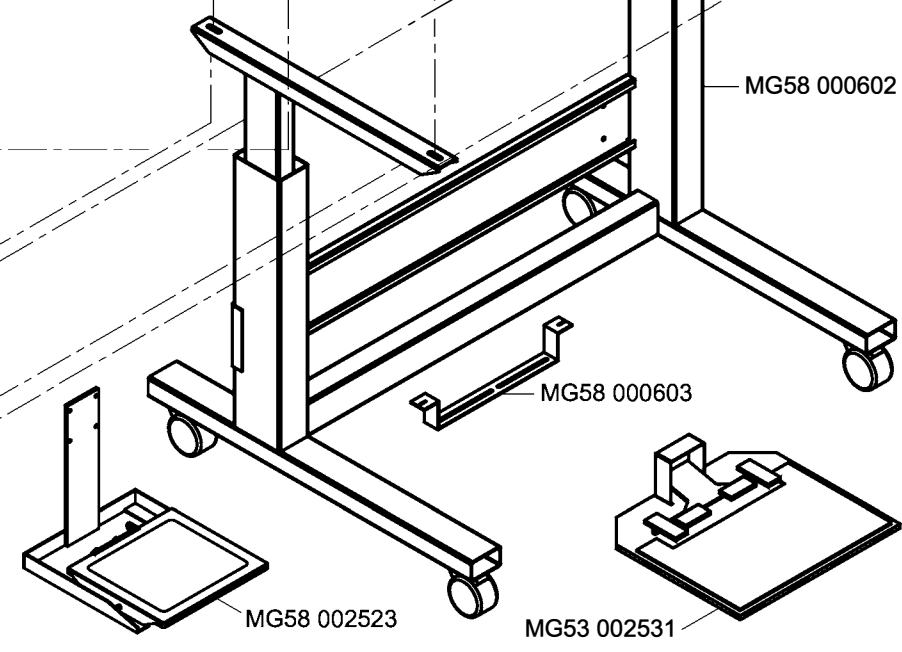
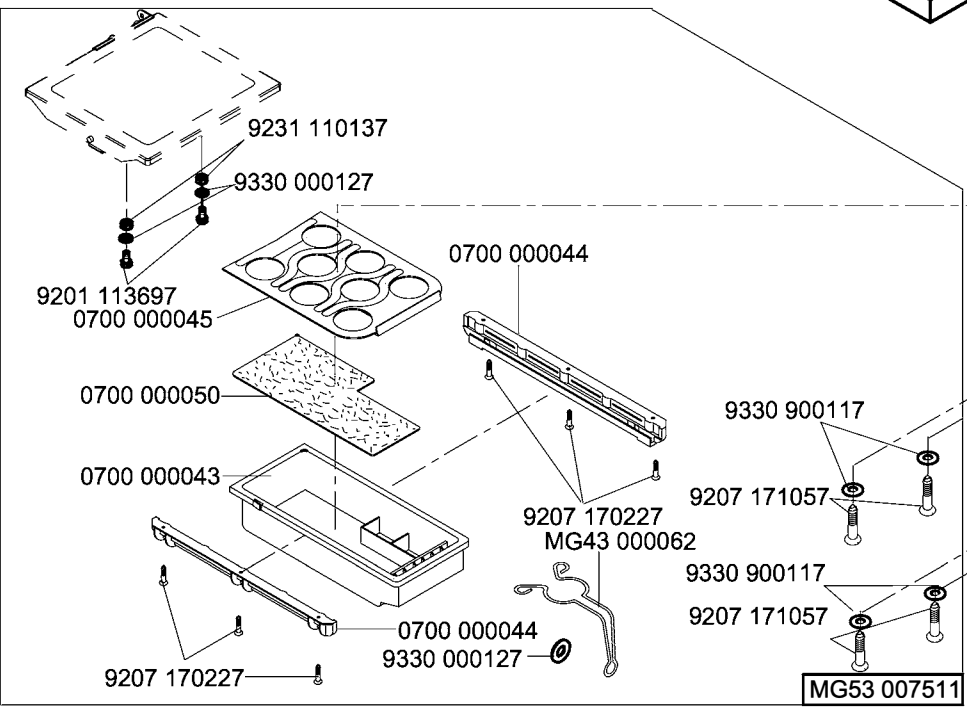
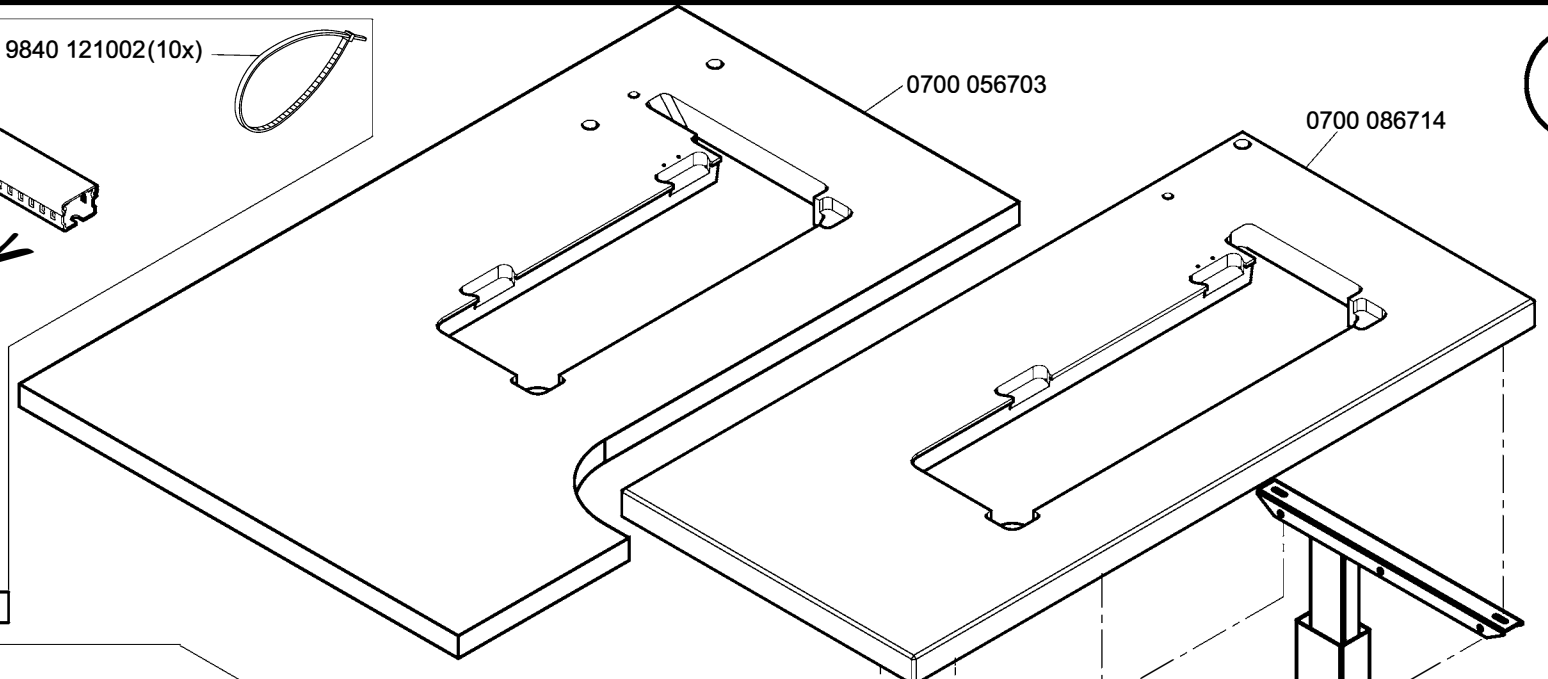
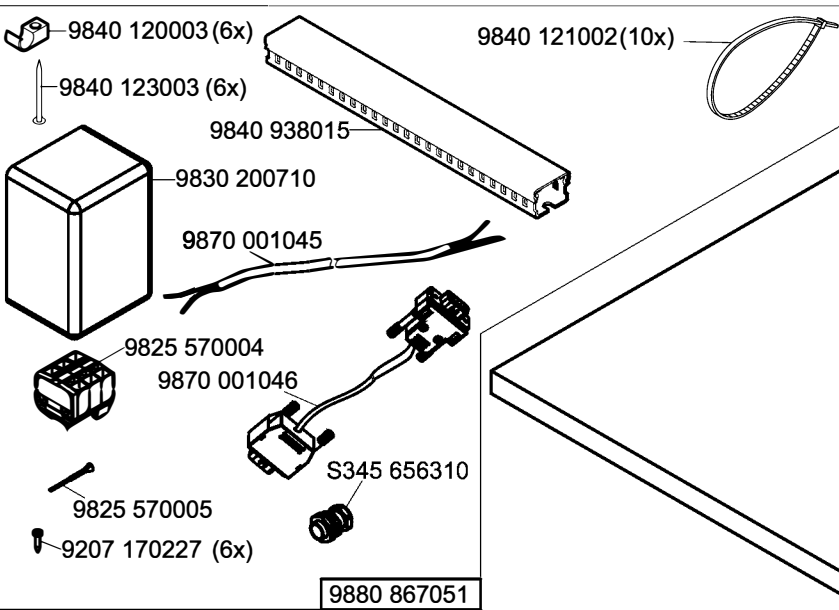


N – not available as separate part/不提供散件

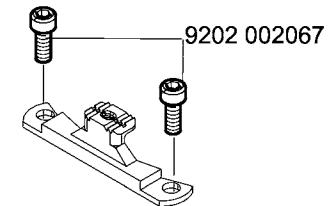
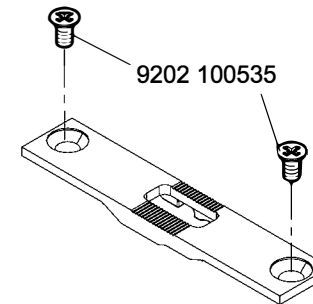
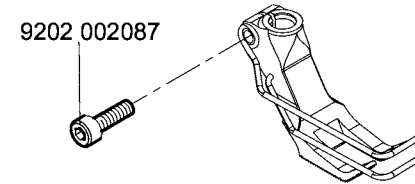
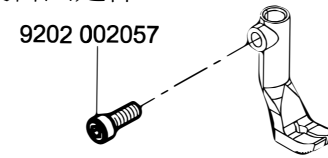
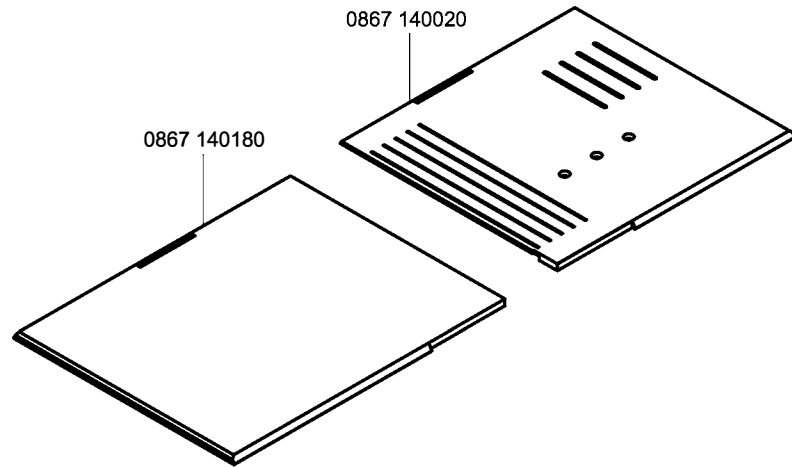
on request
按要求



N – not available as separate part/不提供散件



Fastening parts for Sewing equipment
缝制设备固定件



Part No./件号	Table/表	Part No./件号	Table/表	Part No./件号	Table/表	Part No./件号	Table/表
0002	007504 9500	25		0367	105220	18	
0016	004010	15		0367	105234	02	
0061	001050	15		0367	105243	16	
0069	241373	32		0367	105260	29	
0077	110230	29		0367	105950	29	
0099	004800	15		0367	110340	15	
0104	250010	29		0367	110360	15	
0171	110070	19		0367	110570	14	
0211	000634	12		0367	115020	15	
0211	000648	12		0367	115100	15	
0211	000699	29		0367	115250	14, 15	
0211	000806	18		0367	125013	03	
0216	000591	14		0367	125020	06	
0244	000403	14		0367	125040	03	
0244	000414	14, 15		0367	125050	03	
0244	000415	14, 15		0367	125064	03	
0244	000700	02, 03, 05, 07, 08, 09, 16		0367	125180	03	
				0367	125190	03	
0244	000886	10		0367	125194	03	
0265	000911	19		0367	135113	09	
0265	002402	18		0367	135170	10	
0268	110050	15		0367	135174	10	
0271	000217	15		0367	135180	10	
0271	000275	14		0367	135214	10	
0271	001392	14		0367	135220	05	
0271	001397	15		0367	140050	21	
0271	001415	18		0367	145110	09	
0271	001639	16		0367	145180	05, 07, 08	
0281	380114	29		0367	165070	03	
0291	000159	03		0367	165120	06, 07	
0291	000347	19		0367	165140	07	
0291	000537	18		0367	165960	23	
0291	000538	18		0367	165970	26	
0367	105040	29		0367	165980	23	
0367	105050	19		0367	165990	23	
0367	105083	05, 07, 08		0367	166003	23	
0367	105120	19		0367	166020	16, 23	
0367	105150	19		0367	166070	17	
0367	105180	05, 06, 07, 08		0367	166084	17	
				0367	175014	14	
				0367	315014	06	
				0367	315024	06	
				0367	315130	05	
				0367	315140	03, 05	
				0367	315204	05	
				0367	315223	05, 07, 08, 09	
				0367	315303	05	
				0367	315450	04	
				0367	315540	03	
				0367	315574	04	
				0367	315583	03	
				0367	315604	03	
				0367	315614	03	
				0367	385120	18	
				0367	385133	03	
				0367	495010	19	
				0367	595084	23	
				0396	111320	29	
				0467	110220	15	
				0467	240260	32	
				0480	350200	13	
				0480	350214	13	
				0491	030652	07	
				0540	110080	15	
				0556	000821 A	16	
				0556	003087	18	
				0556	003088	18	
				0567	100020	01	
				0567	100044	20	
				0567	100050	20	
				0567	100060	20	
				0567	100074	01	
				0567	100080	03	
				0567	100090	01	
				0567	100160	24	
				0567	110014	15	
				0567	120013	03	
				0567	130013	09	
				0567	130030	10	
				0567	130040	09	
				0567	140020	24	
				0567	160013	16	
				0567	160024	16	
				0567	160044	16	
				0567	160084	16	
				0567	310013	04	
				0567	310020	04	
				0567	310030	04	
				0567	350014	13	
				0567	380010	18	
				0567	380034	18	
				0570	000572	22	
				0570	001847	17	
				0578	000868	23	
				0667	100040	23	
				0667	100074	19	
				0667	100084	19	
				0667	105080	02	
				0667	105093	02	
				0667	105190	20	
				0667	105280	29	
				0667	110090	15	
				0667	110110	15	
				0667	110320	19	
				0667	110340	19	
				0667	110360	15	
				0667	115250	15	
				0667	115320	03	
				0667	115353	15	
				0667	115520	15	
				0667	115530	15	
				0667	115600	15	
				0667	115610	15	
				0667	115620	15	
				0667	115630	15	
				0667	115703	15	
				0667	135190	05	

Part No./件号	Table/表	Part No./件号	Table/表	Part No./件号	Table/表	Part No./件号	Table/表				
0667	135300	05	0667	160480	06, 07	0667	315294	06	0791	580100	29
0667	145044	02	0667	165063	07	0667	315433	31	0797	003031	28
0667	145094	24	0667	165130	06	0667	355103	13	0798	000677	24
0667	145264	02	0667	165133	07	0667	355123	13	0798	120213	22
0667	145303	02	0667	165134	07	0667	355130	13	0798	120401	22, 25, 31
0667	145323	30	0667	165154	07	0667	355140	13	0798	447914	22, 25
0667	145354	30	0667	165164	07	0667	355173	13	0798	500088	25
0667	145390	21	0667	165220	23	0667	355240	18	0818	160210	07
0667	145410	30	0667	165284	16	0667	355420	13	0867	110250	15
0667	145464	02	0667	165290	16	0667	385013	06, 07	0867	140030	21
0667	150830	11	0667	165370	07	0667	495330	17	0867	150290	11
0667	150840	11	0667	165390	08	0667	495350	22	0867	150323	12
0667	150850	11	0667	165403	08	0688	130290	09	0867	150343	12
0667	155100	12	0667	165403	08	0688	140060	24	0867	160203	08
0667	155114	12	0667	165423	08	0688	380040	18	0867	160620	06, 07
0667	155114	12	0667	165454	08	0688	380120	30	0867	160630	06, 07
0667	155390	12	0667	165500	08	0688	380130	18	0867	160640	06
0667	155403	12	0667	165550	07	0688	380140	30	0867	172110	14
0667	155424	12	0667	165570	23	0699	979104	12, 18	0867	172120	14
0667	155440	12	0667	170013	14	0699	979265	31	0867	210060	31
0667	155460	12	0667	170120	14	0699	989250	19, 20	0867	310440	05
0667	155474	12	0667	170204	14	0700	000043	27, 33	0867	350230	13
0667	155490	12	0667	175010	14	0700	000044	27, 33	0867	590014	31
0667	155530	12	0667	175020	14	0700	000045	27, 33	0867	590024	31
0667	155540	12	0667	175030	14	0700	000050	27, 33	0868	140060	21
0667	155550	12	0667	175040	14	0700	000090	09	0868	160070	30
0667	155614	11	0667	175060	14	0700	000091	29	0888	350124	13
0667	155634	11	0667	175083	14	0700	056703	33	0894	450367	25
0667	155893	12	0667	310563	05	0700	086704	27	0902	000423	21
0667	155900	12	0667	310634	20	0700	086714	33	0907	487519	25
0667	155940	02	0667	310650	20	0742	002096	28	0911	000478	31
0667	155950	12	0667	310670	06	0744	001155	20	0933	001544	18
0667	156180	11	0667	310680	06	0744	001793 A	28	0992	001020	18
0667	156210	11	0667	310710	26	0744	001793 B	28	0992	016580	11
0667	156330	11	0667	310720	26	0744	001796	28	0992	023560	11
0667	160170	16	0667	315113	05	0767	590500	26	0992	023577	11
0667	160210	16	0667	315164	06	0791	001081	29	0994	271360	23
0667	160344	16	0667	315213	04	0791	001094	29	0995	140217	32
0667	160350	16	0667	315273	06	0791	001096	29	0995	340617	29
0667	160360	16	0667	315280	06						

Part No./件号	Table/表	Part No./件号	Table/表	Part No./件号	Table/表	Part No./件号	Table/表
0998 881010	12	9202 002098	07, 13, 16, 23	9205 023620	06	9330 000127	27, 33
0998 881110	06	9202 002107	13	9205 024857	12	9330 000177	29
0998 882080	11	9202 002127	25	9205 101847	03, 21	9330 200107	13
0999 201114	29	9202 002497	24, 32	9205 102450	12	9330 200110	12
0999 240389	31	9202 002908	12	9205 102464	16	9330 700107	20
0999 240394	31	9202 002918	06	9205 102467	01, 02, 04, 05, 06, 07, 08, 09, 10, 12, 13, 14	9330 900097	25
0999 240408	15	9202 002927	28			9330 900117	27, 33
1001 001162	19	9202 003738	19			9332 500137	15
9041 100015	06, 07	9202 022467	18	9205 102477	01, 02, 03, 06, 07, 08, 11, 14, 15, 16, 24	9333 000090	18, 29
9041 100025	03, 18	9202 022477	13			9334 000051	12
9041 100030	12	9202 022497	13			9334 001170	03
9041 100035	18	9202 100535	11, 13, 21			9334 001630	03, 05, 07, 14, 16
9041 100203	18	9203 003067	17	9205 121558	12	9334 001640	03, 04, 08
9050 050001	18	9203 003077	31	9205 122488	12	9352 000060	17
9081 100203	29	9203 003097	31	9206 100637	18, 30	9352 640050	30
9081 200303	29	9203 003157	31	9207 161237	29	9353 000087	12
9122 200161	01	9203 003657	29	9207 170227	22, 24, 27, 33	9353 000350	02
9126 102520	07, 16	9203 100002	15	9207 170437	22, 24, 25	9353 000420	02
9126 102540	06, 07	9203 211837	11	9207 171057	27, 33	9353 000470	01, 02
9126 300061	12	9203 312412	03	9217 000287	32	9354 010210	02, 24
9126 300088	12	9203 313047	31	9225 201770	15, 24	9354 400800	12
9126 300201	04	9204 002363	21	9231 110037	14	9357 000050	13
9129 020240	32	9204 101657	05	9231 110137	27, 33	9357 000070	03, 05, 07, 10, 12, 14, 16, 26
9130 221130	02	9204 200447	17	9234 000067	16		
9130 221140	24	9204 200517	17, 26, 31	9301 101561	13	9357 000080	08
9190 100113	30	9204 201067	14	9301 102203	05	9357 000090	03, 04, 06
9190 100226	12	9204 201657	24	9301 200660	12	9357 000100	03, 16
9190 400120	16	9204 201667	03, 14, 16, 17, 18, 19, 23	9302 000100	18	9357 000120	06, 07, 16
9201 113317	24			9303 502990	24	9400 000090	21
9201 113697	27, 33	9204 201677	15	9305 100350	15	9400 000263	15
9202 002057	05, 06, 07, 12, 19, 32	9204 202037	22	9330 000067	15, 17	9401 000194	24
		9204 202067	22	9330 000087	07, 12, 15, 16, 18, 19, 24, 30, 32	9401 000204	24
9202 002058	03	9204 211997	02, 05, 07, 16, 19, 20			9700 100094	26
9202 002067	08			9330 000088	22	9700 100100	17
9202 002068	03	9204 212057	16, 17, 19, 20, 29	9330 000097	02, 13, 18, 22, 24, 32	9710 061200	17, 26, 31
9202 002077	12, 17, 19, 25, 30					9710 900011	17
9202 002087	18, 24, 30, 32	9204 301487	14	9330 000107	06, 22, 24, 32	9710 900031	31
9202 002097	16	9204 302217	17, 26				
		9204 431657	15				

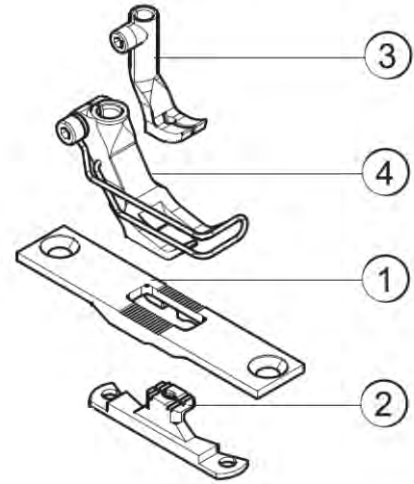
Part No./件号	Table/表	Part No./件号	Table/表	Part No./件号	Table/表	Part No./件号	Table/表	
9710	900035	17	9840	120026	22, 25	MG53	007921	28
9710	920012	17, 26, 31	9840	120030	17	MG53	007922	28
9710	982003	17, 26, 31	9840	120060	24	MG55	000501	27
9731	001035	18	9840	120104	13, 18	MG58	000602	33
9731	002001	28	9840	121001	22, 23, 25, 26, 29, 31	MG58	000603	33
9731	005004	10, 15, 17, 26, 31	9840	121002	17, 25, 31, 33	MG58	002523	33
9740	000607	20	9840	123002	24	N800	006701	32
9742	300140	15	9840	123002	24	N800	006702	32
9742	300190	26	9840	123003	22, 23, 25, 33	N800	006703	32
9742	330120	10	9840	130008	18	N800	006704	32
9780	000108	28	9840	132015	22, 25	N800	006705	32
9790	000220	31	9840	133012	22, 25	N800	006706	32
9790	010010	10	9840	133013	22, 25	N800	040367	32
9790	201000	17, 26	9840	135012	22, 25	S345	656310	33
9790	201001	29	9840	938015	33	Z100	011022	12, 19
9800	170044	24	9850	001083	22	Z132	001452	31
9800	210001 R	24	9850	001089	22			
9810	390402	17	9850	001309	24			
9815	301080	26	9850	001311	24			
9815	301081	26	9850	001340	24			
9820	110040	13	9850	367001	17			
9822	510003	25	9870	001045	33			
9822	510013	25	9870	001046	33			
9822	560000	22	9870	001112	23			
9822	610000	25	9870	001113	29			
9822	642027	25	9870	367002	17			
9825	550001	17	9870	367003	17, 26, 31			
9825	570004	33	9870	367005	17			
9825	570005	33	9880	001005	24			
9825	810302	25	9880	002005	23			
9830	200710	33	9880	367003	17			
9830	501011	17	9880	767004	17			
9830	502014	18	9880	867051	33			
9840	104001	22, 25	9880	867103	22			
9840	120001	25	9880	867120	23			
9840	120003	22, 23, 24, 25, 33	MG43	000062	27, 33			
9840	120025	23	MG53	002501	27			
			MG53	002531	33			
			MG53	007511	27, 33			



E1



E2



E4



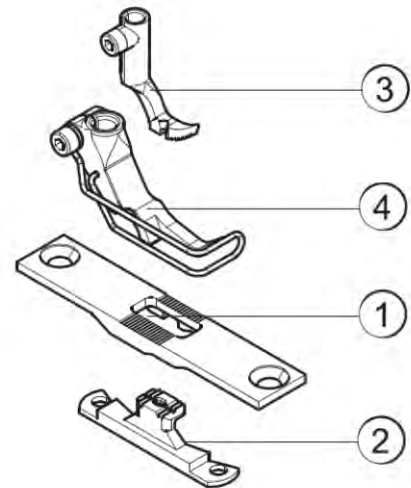
E5



E7

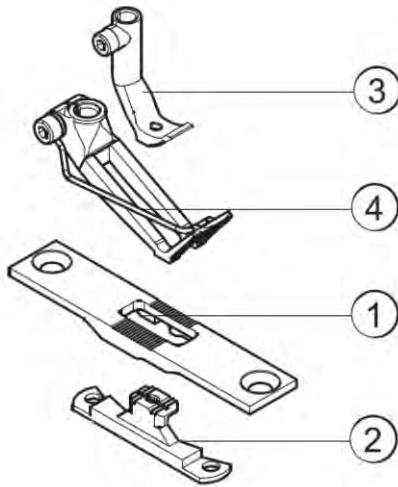


E8

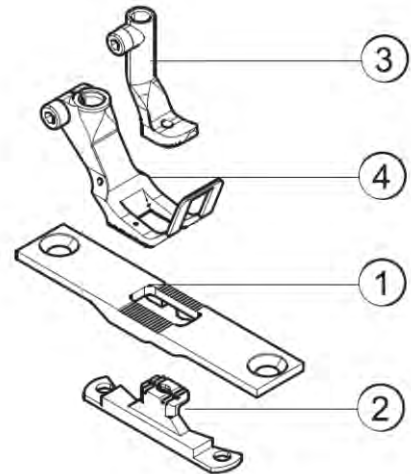




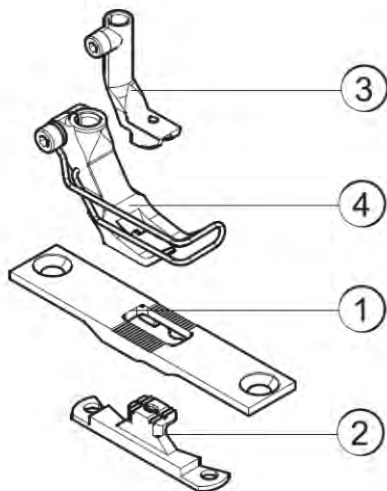
E11



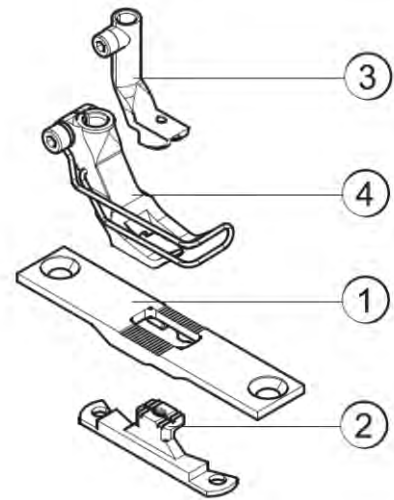
E12



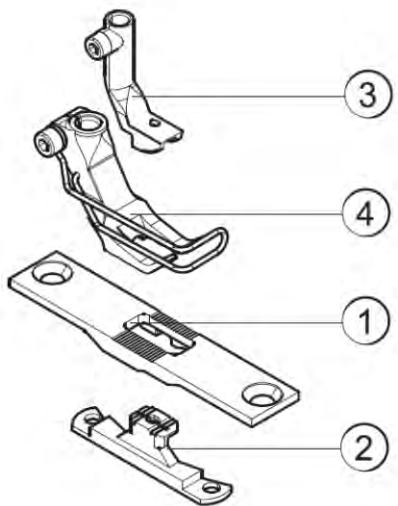
E14



E15



E16

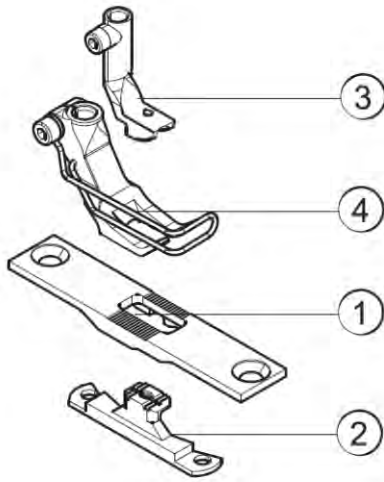


E17

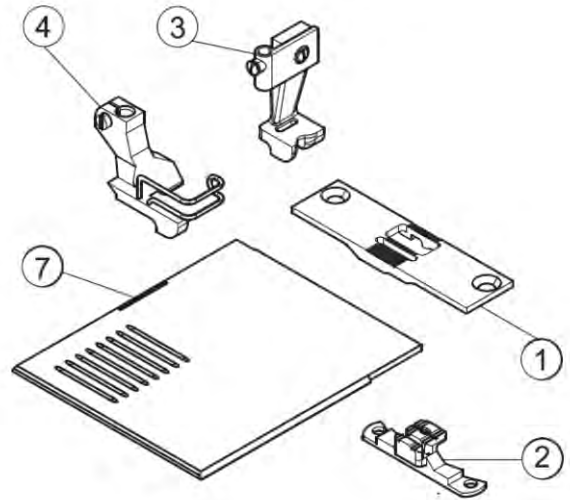




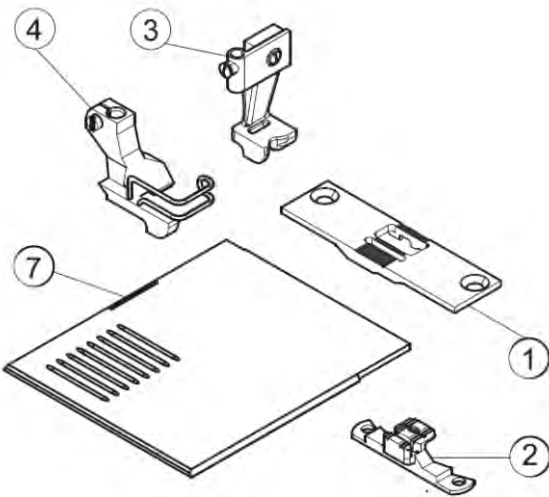
E18



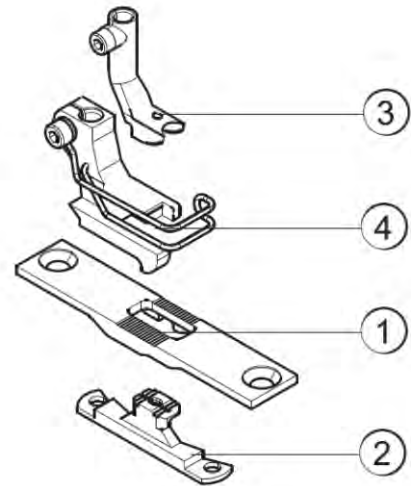
E25



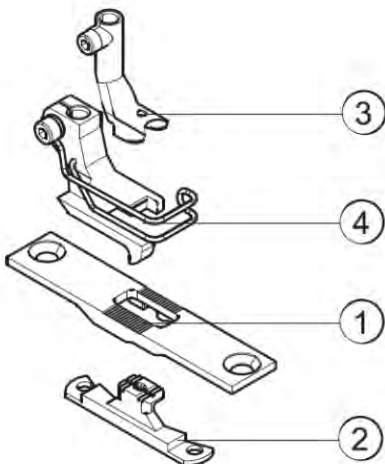
E26



E36



E38





E-No. 版本号	For Subclass 用于子类型	Material Nr. 材料号	Throat plate 针板			Feed dog 送料牙 ②				Presser foot ④			Feeding foot ③		Needle holder	Needle system	
			①	Slide, left	Slide, right	Stitch hole size	Serrated mm	Serrated,	Cross toothed	Roof-shaped	Presser foot	Non toothed	Skipping f.,	Compensating			Cross toothed
E1	-180142 Sewing equipment, needle size Nm 110-140, stitch length max. 6 mm, for medium weight material. 缝制设备, 机针尺寸 Nm 110-140, 最大针距长度 6 mm, 适用于中等重量的材料。	0867 E00106	0867 200010			2.2 x 3.2	0867 210010				0367 220993				0467 220013		134-35/130
E2	-180142 Sewing equipment, needle size Nm 110-140, stitch length max. 9 mm, for medium weight material. 缝制设备, 机针尺寸 Nm 110-140, 最大针距长度 9 mm, 适用于中等重量的材料。	0867 E00209	0867 200020			2.2 x 3.2	0867 210010				0467 220043				0467 220013		134-35/130
E4	-180142 Sewing equipment, needle size Nm 140-170, stitch length max. 6 mm, for medium weight material. 缝制设备, 机针尺寸 Nm 140-170, 最大针距长度 6 mm, 适用于中等重量的材料。	0867 E00406	0867 200010			3.0 x 3.7	0867 210020				0367 220993				0768 220113		134-35/160
E5	-180142 Sewing equipment, needle size Nm 140-170, stitch length max. 9 mm, for medium weight material. 缝制设备, 机针尺寸 Nm 140-170, 最大针距长度 9 mm, 适用于中等重量的材料。	0867 E00509	0867 200020			3.0 x 3.7	0867 210020				0467 220043				0768 220113		134-35/160
E7	-180142 Sewing equipment for stitching on edges, from 1 mm on the right from the needle, needle size Nm 110-140, stitch length max. 6 mm, for medium weight material. 用于边缘上线迹的缝制设备, 右侧距机针 1 mm 起, 机针尺寸 Nm 110-140, 最大针距长度 6 mm, 适用于中等重量的材料。	0867 E00706	0867 200010			2.2 x 3.2	0867 210010				0367 220293				0067 220713		134-35/130
E8	-180142 Sewing equipment for stitching on edges, from 1 mm on the left from the needle, needle size Nm 110-140, stitch length max. 6 mm, for medium weight material. 用于边缘上线迹的缝制设备, 左侧距机针 1 mm 起, 机针尺寸 Nm 110-140, 最大针距长度 6 mm, 适用于中等重量的材料。	0867 E00806	0867 200010			2.2 x 3.2	0867 210010				0367 220303				0067 220703		134-35/130

☐ = Modification / 更改



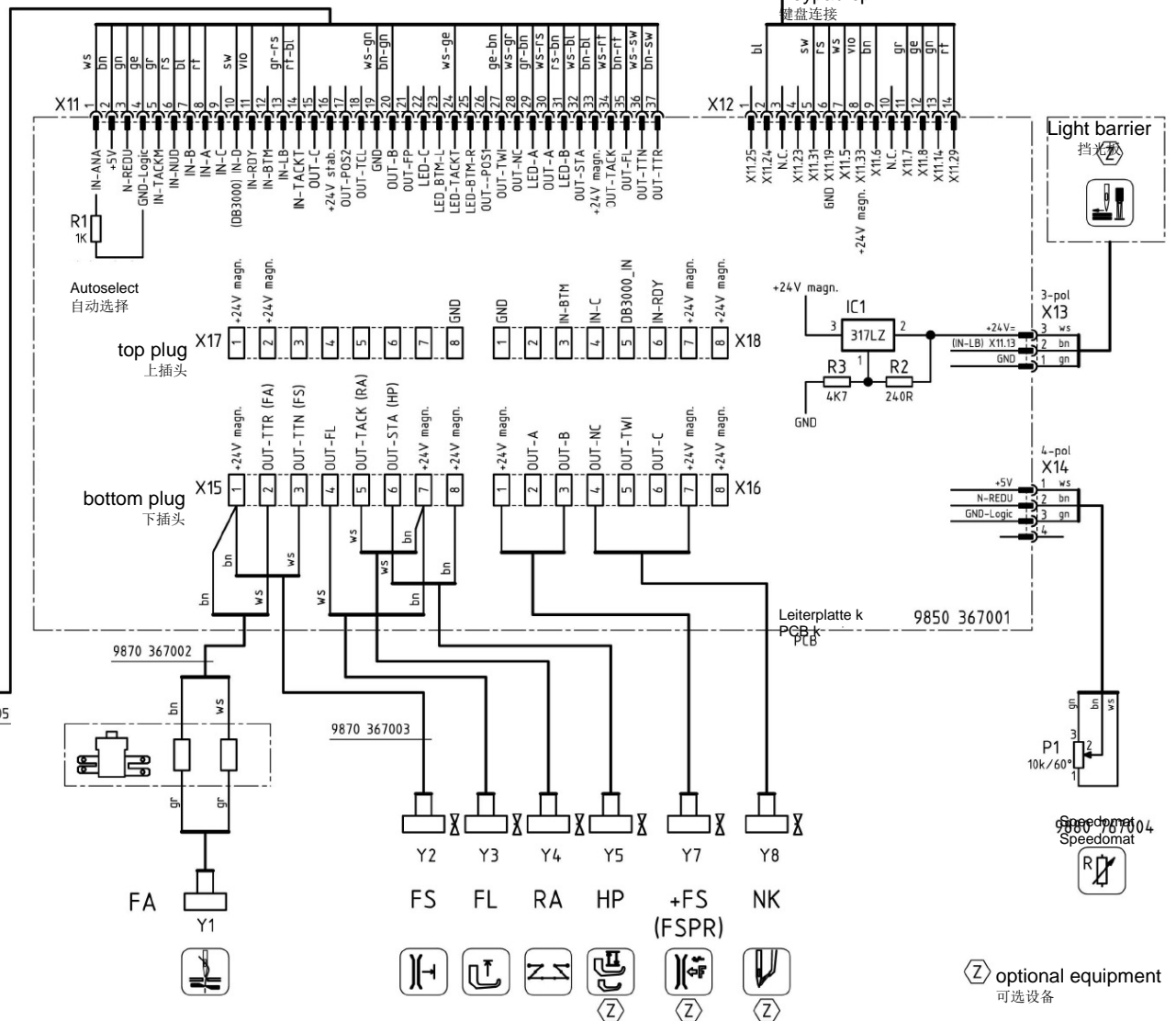
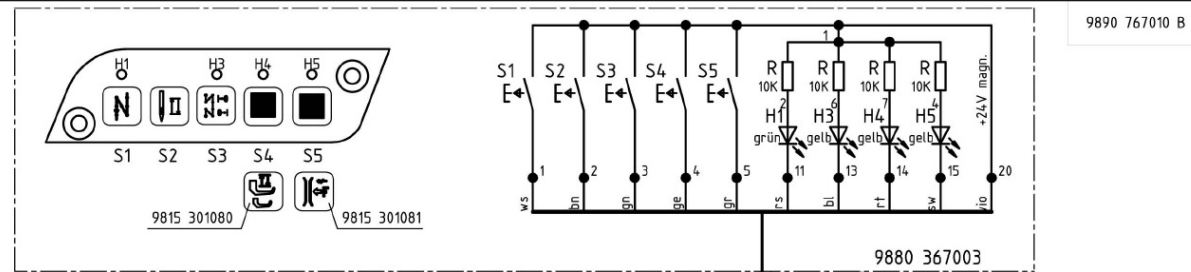
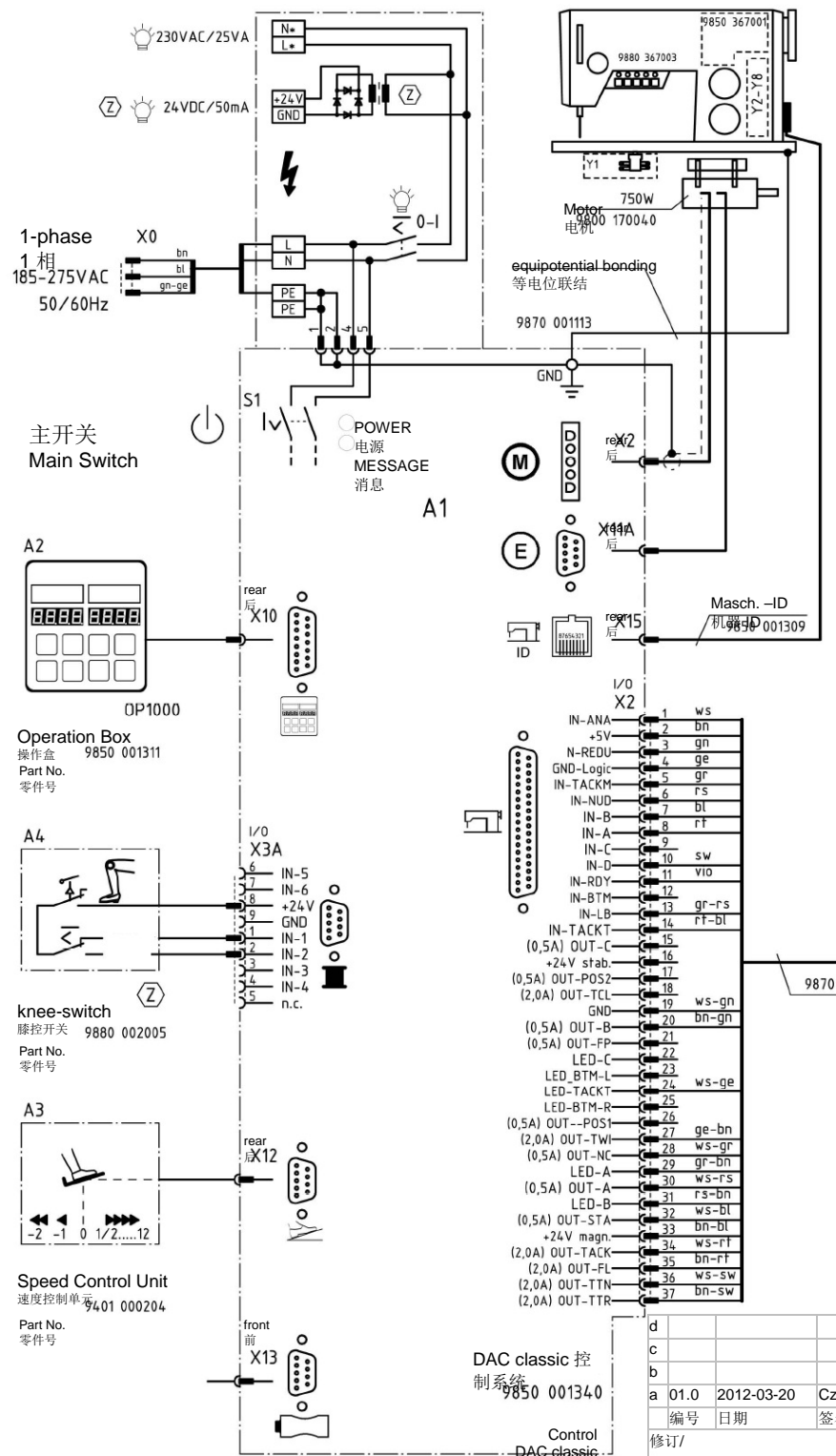
E-No. 版本号	Fig.No 图号	For Subclass 用于子类型	Use 使用	Material Nr. 材料号	Throat plate 针板			Feed dog 送料牙 ②				Presser foot ④		Feeding foot ③		Needle holder 针架	Needle system / -size 机针系统 / 脚格		
					①	Slide, left 左推板	Slide, right 右推板	Stitch hole size mm 线迹孔尺寸 (mm)	Serrated mm 锯齿 (mm)	Serrated, oblique mm 锯齿, 斜角 (mm)	Cross toothed mm 交叉齿 (mm)	Roof-shaped mm 顶状 (mm)	Presser foot 压脚	Non toothed 非齿状	Skipping f., cross toothed 跳线, 交叉齿			Compensating foot 补偿压脚	Cross toothed mm 交叉齿 (mm)
E11		-180142	Sewing equipment for stitching of cross seams in thick material, needle size Nm 110-140, stitch length max. 9 mm, for medium weight material. 缝制设备, 用于厚材料交叉缝的缝纫, 机针尺寸 Nm 110-140, 最大针距长度 9 mm, 适用于中等重量的材料。	0867 E01109	0867 200020			2.2 x 3.2	0867 210010				0767 220013				0467 220483		134-35/130
E12		-180142	Sewing equipment for padded material, needle size Nm 110-140, stitch length max. 6 mm, for medium weight material. 用于衬垫材料的缝制设备, 机针尺寸 Nm 110-140, 最大针距长度 6 mm, 适用于中等重量的材料。	0867 E01206	0867 200010			2.2 x 3.2	0867 210010				0367 221543				0367 221553		134-35/130
E14		-180142	Sewing equipment for welt attaching operations, welt groove 4 mm, needle size Nm 110-140. Stitch length max. 6 mm, for medium weight material. 用于附加滚边的缝制设备, 滚边槽 4 mm, 机针尺寸 Nm 110-140. 最大针距长度 6 mm, 适用于中等重量的材料。	0867 E01406	0867 200010			2.2 x 3.2	0867 210010				0367 220773				0167 220583		134-35/130
E15		-180142	Sewing equipment for welt attaching operations, welt groove 5 mm, needle size Nm 110-140, stitch length max. 6 mm, for medium weight material. 用于附加滚边的缝制设备, 滚边槽 5 mm, 机针尺寸 Nm 110-140, 最大针距长度 6 mm, 适用于中等重量的材料。	0867 E01506	0867 200010			2.2 x 3.2	0867 210010				0367 220783				0067 220603		134-35/130
E16		-180142	Sewing equipment for welt attaching operations, welt groove 6 mm, needle size Nm 110-140, stitch length max. 6 mm, for medium weight material. 用于附加滚边的缝制设备, 滚边槽 6 mm, 机针尺寸 Nm 110-140, 最大针距长度 6 mm, 适用于中等重量的材料。	0867 E01606	0867 200010			2.2 x 3.2	0867 210010				0367 220793				0167 220363		134-35/130
E17		-180142	Sewing equipment for welt attaching operations, welt groove 7 mm, needle size Nm 110-140, stitch length max. 6 mm, for medium weight material. 用于附加滚边的缝制设备, 滚边槽 7 mm, 机针尺寸 Nm 110-140, 最大针距长度 6 mm, 适用于中等重量的材料。	0867 E01706	0867 200010			2.2 x 3.2	0867 210010				0367 220803				0167 220633		134-35/130

☐ = Modification / 更改



E-No. 版本号	For Subclass 用于子类型	Material Nr. 材料号	Throat plate 针板			Feed dog 送料牙 ②				Presser foot 压脚 ④			Feeding foot 送料压脚 ③								
			①	⑦	Slide, right	Stitch hole	Serrated mm	Serrated,	Cross toothed	Roof-shaped	Presser foot	Non toothed	Skipping f.,	Compensating	Cross toothed	Non toothed	Needle bar	Needle			
E18	-180142 Sewing equipment for welt attaching operations, welt groove 8 mm, needle size Nm 110-140, stitch length max. 6 mm, for medium weight material. 用于附加滚边的缝制设备, 滚边槽 8 mm, 机针尺寸 Nm 110-140, 最大针距长度 6 mm, 适用于中等重量的材料。	0867 E01806	0867 200010				2.2 x 3.2	0867 210010				0367 220813						0167 220653			134-35/130
E25	-180142 Sewing equipment for stitching and welt attaching operations, welt groove 5 mm, needle size Nm 110-140, stitch length max. 6 mm, for medium weight material. 用于缝制和附加滚边的缝制设备, 滚边槽 5 mm, 机针尺寸 Nm 110-140, 最大针距长度 6 mm, 适用于中等重量的材料。	0867 E02506	0867 200040	0867 140090			2.2 x 3.2	0867 210040				0367 220653						0067 220924			134-35/130
E26	-180142 Sewing equipment for stitching and welt attaching operations, welt groove 6 mm, needle size Nm 110-140, stitch length max. 6 mm, for medium weight material. 用于缝制和附加滚边的缝制设备, 滚边槽 6 mm, 机针尺寸 Nm 110-140, 最大针距长度 6 mm, 适用于中等重量的材料。	0867 E02606	0867 200040	0867 140090			2.2 x 3.2	0867 210040				0367 220663						0067 220934			134-35/130
E36	-180142 Sewing equipment for stitching and cord attaching operations, cord groove 6 mm, needle size Nm 110-140, stitch length 用于缝制和附加细绳的缝制设备, 绳槽 6 mm, 机针尺寸 Nm 110-140, 最大针距长度	0867 E03606	0867 200010				2.2 x 3.2	0867 210010				0867 210010						0067 220863			134-35/130
E38	-180142 Sewing equipment for stitching and cord attaching operations, cord groove 8 mm, needle size Nm 110-140, stitch length max. 6 mm, for medium weight material.. 用于缝制和附加细绳的缝制设备, 绳槽 8 mm, 机针尺寸 Nm 110-140, 最大针距长度 6 mm, 适用于中等重量的材料。	0867 E03806	0867 200010				2.2 x 3.2	0867 210010				0367 220373						0367 220383			134-35/130

█ = Modification / 更改



DAC classic 控制系统
9850 001340
Control
DAC classic

d				
c				
b				
a	01.0	2012-03-20	Cz	
	编号	日期	签名	批准
修订/				

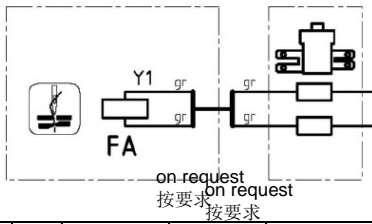
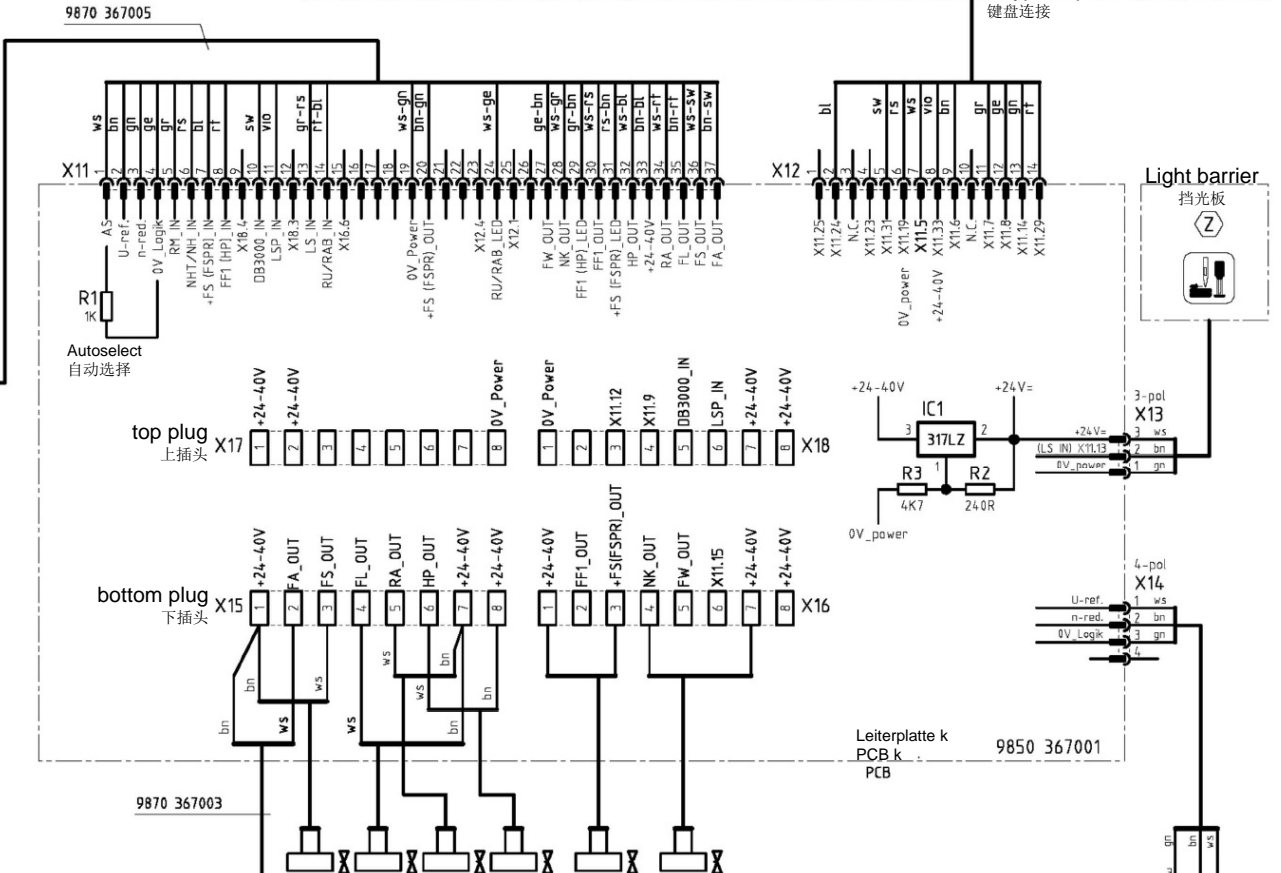
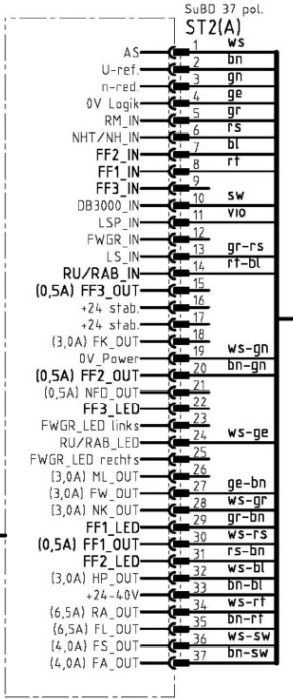
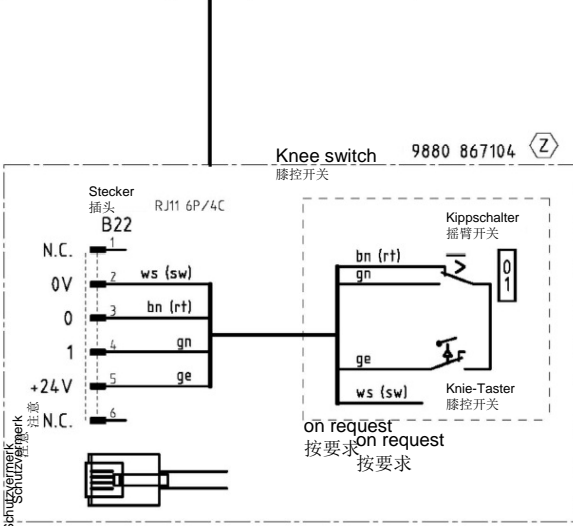
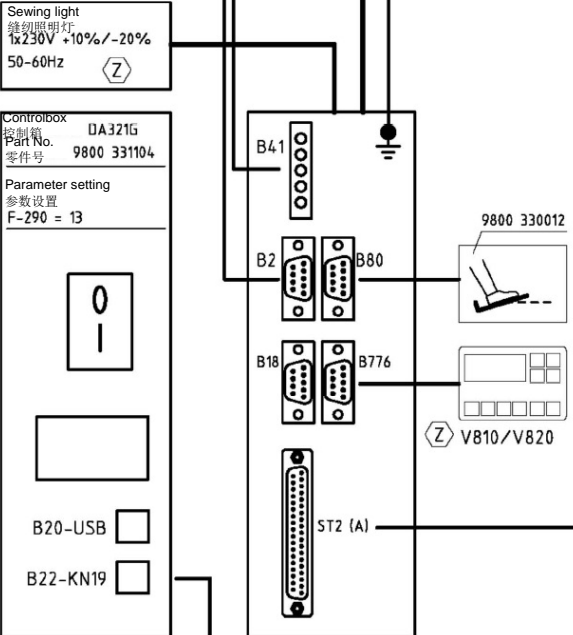
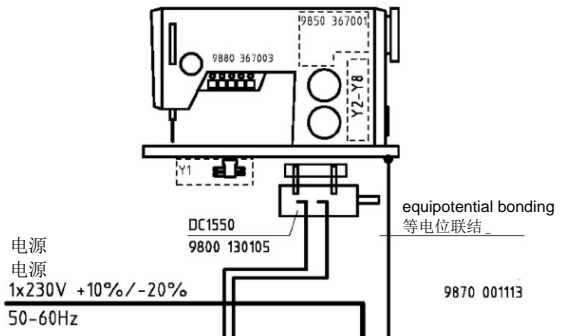
DÜRKOPP
ADLER AG
Bielefeld
www.duerkopp-adler.com

日期/ 2010-05-10
设计/ Cz
核/对
修/订
发布/ 0002/12

767/567 -180142
控制: DAC-classic

名称	接线图	页码
9890 767010 B		1/2

optional equipment
可选设备



d				
c				
b				
a	01.0	2012-03-20	Cz	
	编号	日期	签名	批准
	修订/			

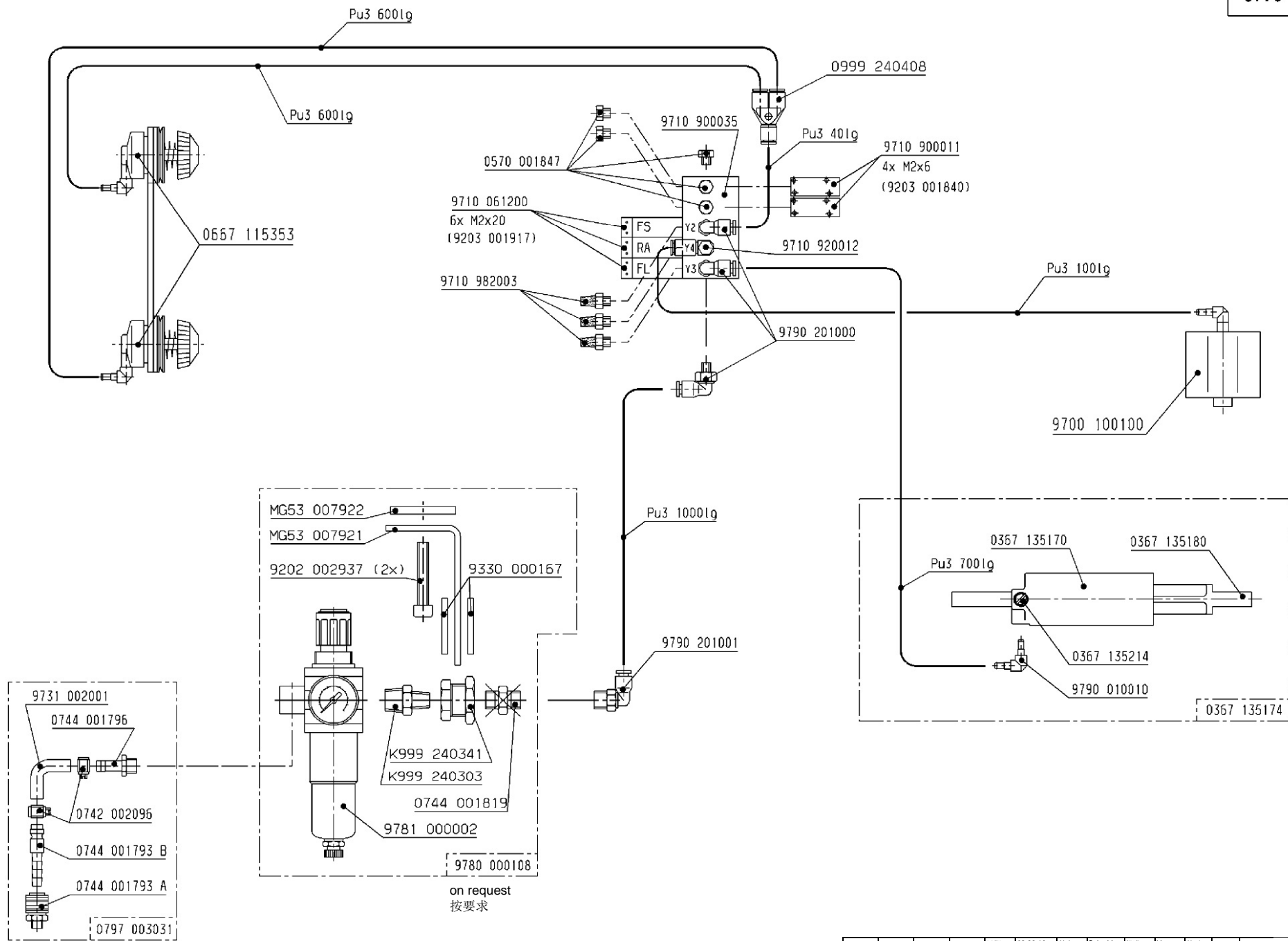


DÜKOPP
ADLER AG
Bielefeld
www.duerkopp-adler.com

日期/ 2010-05-10
设计/ Cz
核对/
发布/ 0002/12

767/567 -180142
控制: Efka DA321G

名称	接线图	页码
		2/2
部件号/ 9890 767010 B		



9731 002001
0744 001796
0742 002096
0744 001793 B
0744 001793 A
0797 003031
on request
按要求

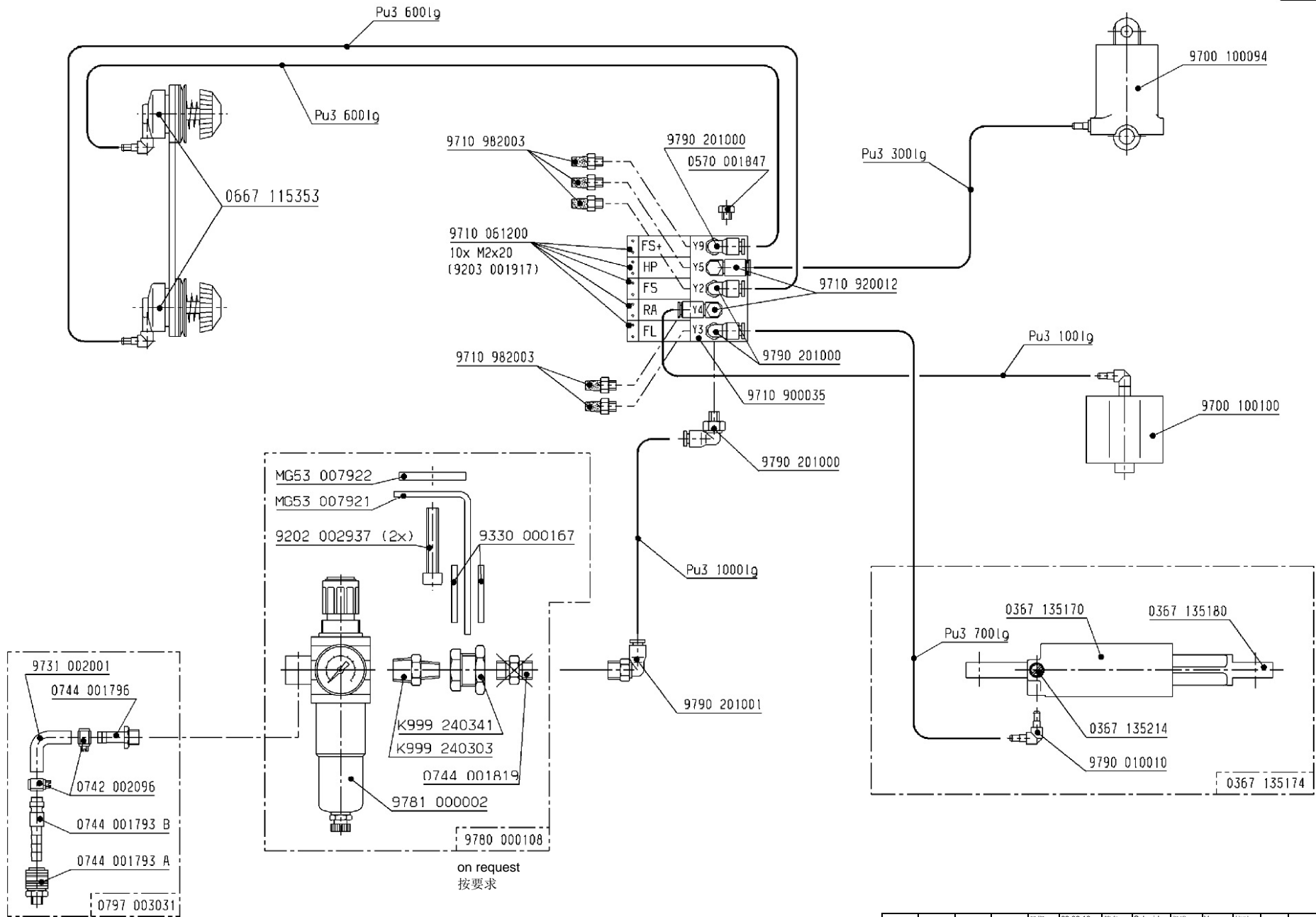
MG53 007922
MG53 007921
9202 002937 (2x)
9330 000167
K999 240341
K999 240303
0744 001819
9781 000002
9780 000108
on request
按要求

0367 135170
0367 135180
Pu3 7001g
0367 135214
9790 010010
0367 135174

Hose	软管	Part-No. (Yarded goods)	零件号 (Yarded goods)
PU3		9731 005004	
修改	日期	签名	批准

日期	08.06.10	签名	Schmid	批准	Voss	核对	
Pneu. - Elements-Plan for 0767-180142 气动原理图 0767-180142							

 DÜRKOPP ADLER AG 9770 767002	
第 1 页	共 2 页



		日期	08.06.10	签名	Schmid	批准	Voss	核对	
		Pneu. - Elements-Plan for 0767-180142 with 0767 590500 气动原理图 0767-180142 及 0767 590500							
Hose 软管	Part-No. (Yarded goods) 零件号 (Yarded goods)								
PU3	9731 005004								
		修改	日期	签名	批准				
		DÜKOPP ADLER AG							
		9770 767002							
		第 1 页 共 2 页							

Contact:

DÜRKOPP ADLER AG
PO Box 17 03 51, D-33703 Bielefeld, Germany
Potsdamer Straße 190, D-33719 Bielefeld,
Germany
Phone: +49 (0) 521 925 00
Fax: +49 (0) 521 925 24 35
www.duerkopp-adler.com

Manufacturer:

PFAFF Industrial Sewing Machine
(Zhang Jiagang) Co.,Ltd.

No. 8 MiaoQiao Middle Road
TangQiao Town
Zhang Jiagang City
Jiangsu Province
P.R. China



DÜRKOPP ADLER AG

Potsdamer Straße 190

33719 Bielefeld

GERMANY

Phone +49 (0) 521 / 925-00

E-Mail service@duerkopp-adler.com

www.duerkopp-adler.com